



U Groove Door & Window Hardware Typical Product Catalogue



U Groove Door & Window Hardware
Typical Product Catalogue



Content

Features of KIN LONG UPVC Door&Window Hardware	01
U groove profile requirement for KIN LONG Door&Window Hardware	02
I. Turn-and-Tilt Window Series	06
II. Tilt-and -Turn Window Series	10
The Instruction of Turn-and-Tilt window and Tilt-and-Turn Window system	14
III. Open-in Side-hung Window Series	16
IV. Double-leaf Window with Fake Mullion	32
Installation instruction of Open-in Side-hung Window System	34
V. Open-out Side-Hung Window Series	36
VI. Top-Hung Window Series	40
The Installation Instruction	42
VII. Sliding Window Series	44
VIII. Sliding Door Series	48
IX. Lifting and Sliding Door Series	54
The Installation instructions	56
X. Side Hung Door Series	58
The Installation Instruction	66
XI. Handle Series	68
XII. Pivot Hinge Series	82
UPVC Door&Window Duplicator Series	96
XIII. Sliding Hardware Series	98
XIV. Corner Device, Connecting Rod, Linking Rod Series	111
XV. Transmitter Series	116
XVI. Door Lock and Cylinder Series	127
XVII. Pegstay Series	130
XVIII. Friction Stay Series	131
XIX. Frame Accessory Series	135
XX. Solid Wood/Composite Window Configuration Series	146
XXI. Solid Wood/Composite Window Accessory Series	162
XXII. The Cutting Die	168
XXIII. Finished Projects	170

Features of KIN LONG UPVC Door and Window Hardware

1. Convenient operation and single control

All function is achieved by changing the position of handle.

2. Standardization and Systematization

Speedy installation by Door&Window production enterprises and construction companies.

3. Adjustability

Adjustable multi-function (If no special requirements, the fittings can be installed in both left and right sides)

4. Best Loading capacity

The maximum loading capacity of window hinge is 130Kg.

5. High Security

Security lock point perfectly matches with locking plate, this design can both meet the requirements of locking and safety.

6. Wide application

Meet the different requirements of the door and window opening.

7. Strong applicability

It can be used for the profiles with standard European U-Groove (solid wood/ wood-clad aluminium/aluminium-clad wood/PVC/aluminium etc.) or profiles without groove.

8. High Quality

Zinc Alloy, Aluminum Alloy are mostly used with surface finish in galvanization or spray-paint.

Special components are made from High strength stainless steel or nylon injection molding

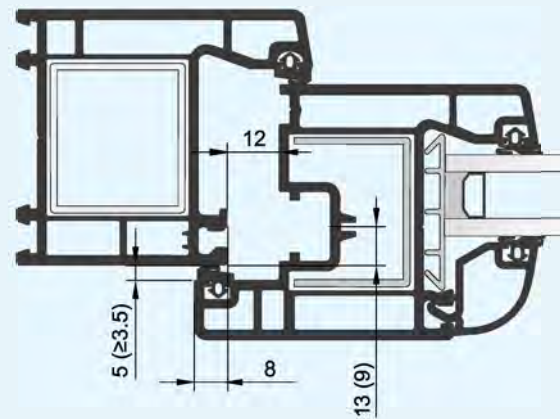
- ◆ Standard colors of UPVC Hardware: White, Black and Bronze, please indicate the color while placing order.
- ◆ For all products distinguished between left and right, 'R' means right type while 'L' means left type
- ◆ All pictures, configurations and selection tables in the catalogue are only for reference.
- ◆ All rights are reserved by KIN LONG and the technical data in our catalog can be updated according to the latest technical requirement without prior notification.

U Groove Profile Requirement for KIN LONG Door&Window Hardware

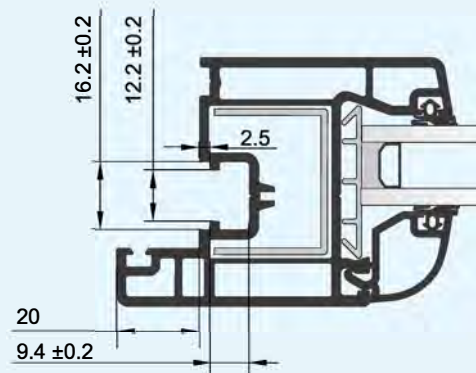
KIN LONG hardware is applicable to standard European U-groove profile of solid wood/wood-clad aluminium/aluminium-clad wood/PVC/aluminium. The specific requirements are as follows: (Remark: All specification are after surface treatment)

PVC Profile specification

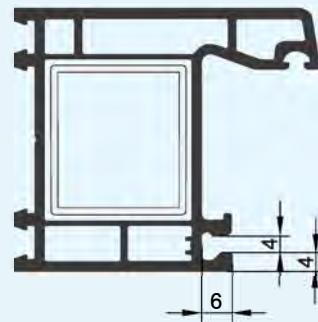
Required dimension for frame and sash



Required dimension for sash profile

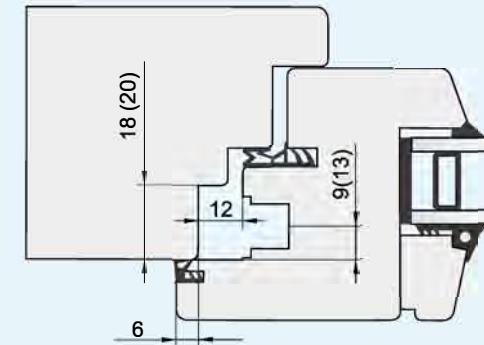


Required dimension for frame profile

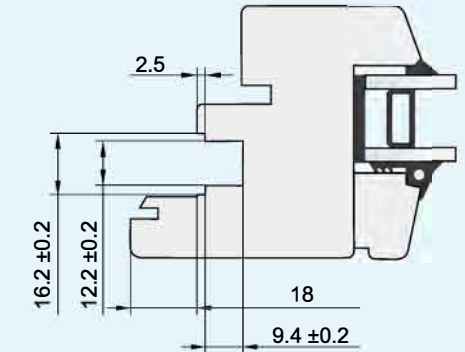


Solid Wood Profile Specification

Required dimension for sash and frame

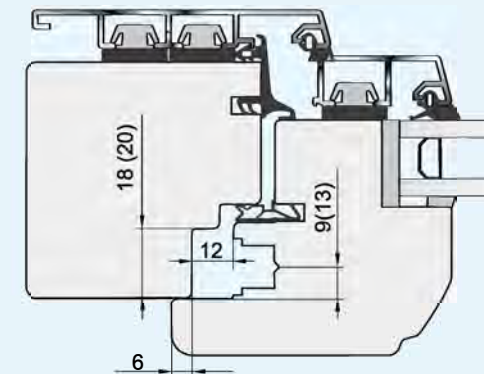


Required dimension for sash profile

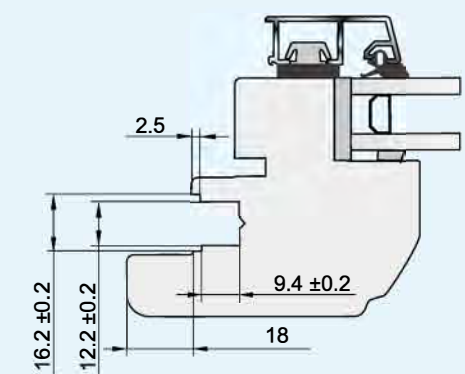


Wood-clad Aluminium Profile Specification

Required dimension for sash and frame

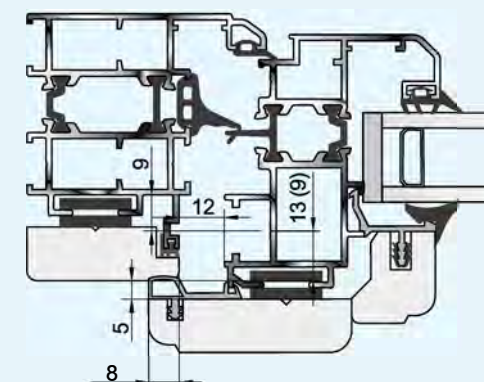


Required dimension for sash profile

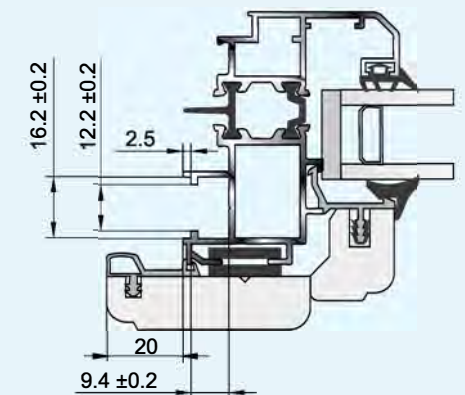


Aluminium-clad Wood Profile Specification

Required dimension for sash and frame



Required dimension for sash profile



U-PVC Open-in Bottom-hung Widow Hardware Series-SCPX100

Awarded the certificate of German IFT testing agency

The turn-and-tilt window hardware system for U groove PVC window launched by KINLONG, combines the special structure design of ventilation and position locking point, touching structure corner device(transmitter), and three-dimensional adjustable pivot hinges with high load-bearing. High-quality process of high anti-corrosion alloy coating brings different types of customers optimal perform ace ratio and wonderful using experience.

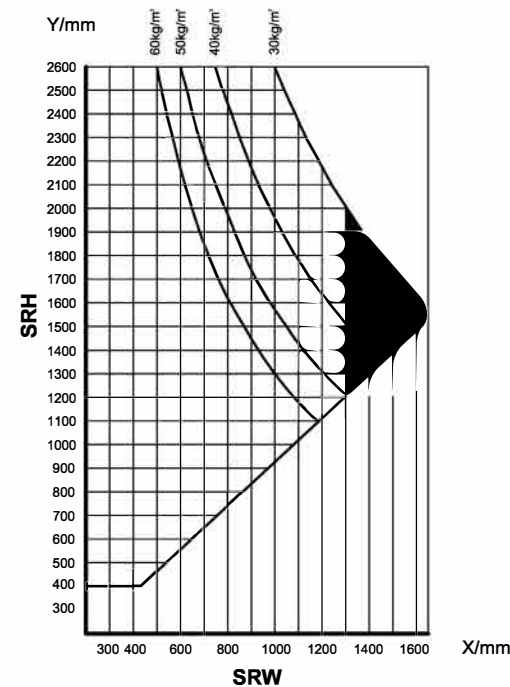
IFT-Rosenheim windows & doors Technology Research Institution in German, is the top testing and standards development agency in the world, whose products certification and quality supervision certificates are widely accepted in the market and recognized as proof of product quality.

The U groove turn-and-tilt window hardware system of KINLONG, after more than one year of exploration and experiment, based on the foundation of structural design innovation and craft improvement, passes the test of IFT at once and becomes the first domestic one to pass IFT.



The load-bearing curve of pivot hinge

The load-bearing curve of 90kg pivot hinge



Remark: The shaded area needs to add a second control

U-PVC Bottom-hung Open-in Widow Hardware Series-SCXP100

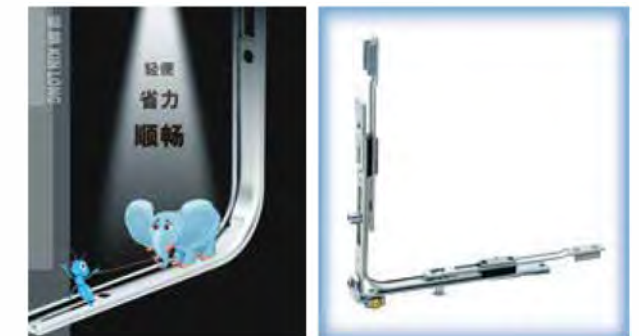
Crafted

We provide two plans of corrosion-resistant with standard and high degree for U groove PVC open-in bottom-hung hardware. It adopts high corrosion-resistant alloy coating process and the degree of antirust is over 5 (salt-spray test time is more than 1000 hours). It can be used on U groove pvc window of standard 12/20-9, 12/20-13, the bearing capacity of which can be 130kg, suitable for the sash width 320mm-1000mm, sash height 500mm-1800mm, and it is your perfect companion for high-quality energy-saving widows.



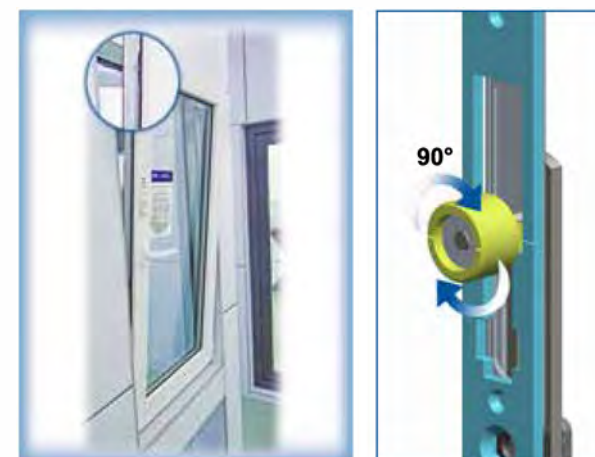
superior quality

For the windows of multi-point lock, whether the whole window hardware system operation smoothly or not depends on the design of corner device and the smooth of transmitter. the special design of KIN LONG point touching and sliding structure makes the corner device operate smoothly and the opening and closing of the window easily.



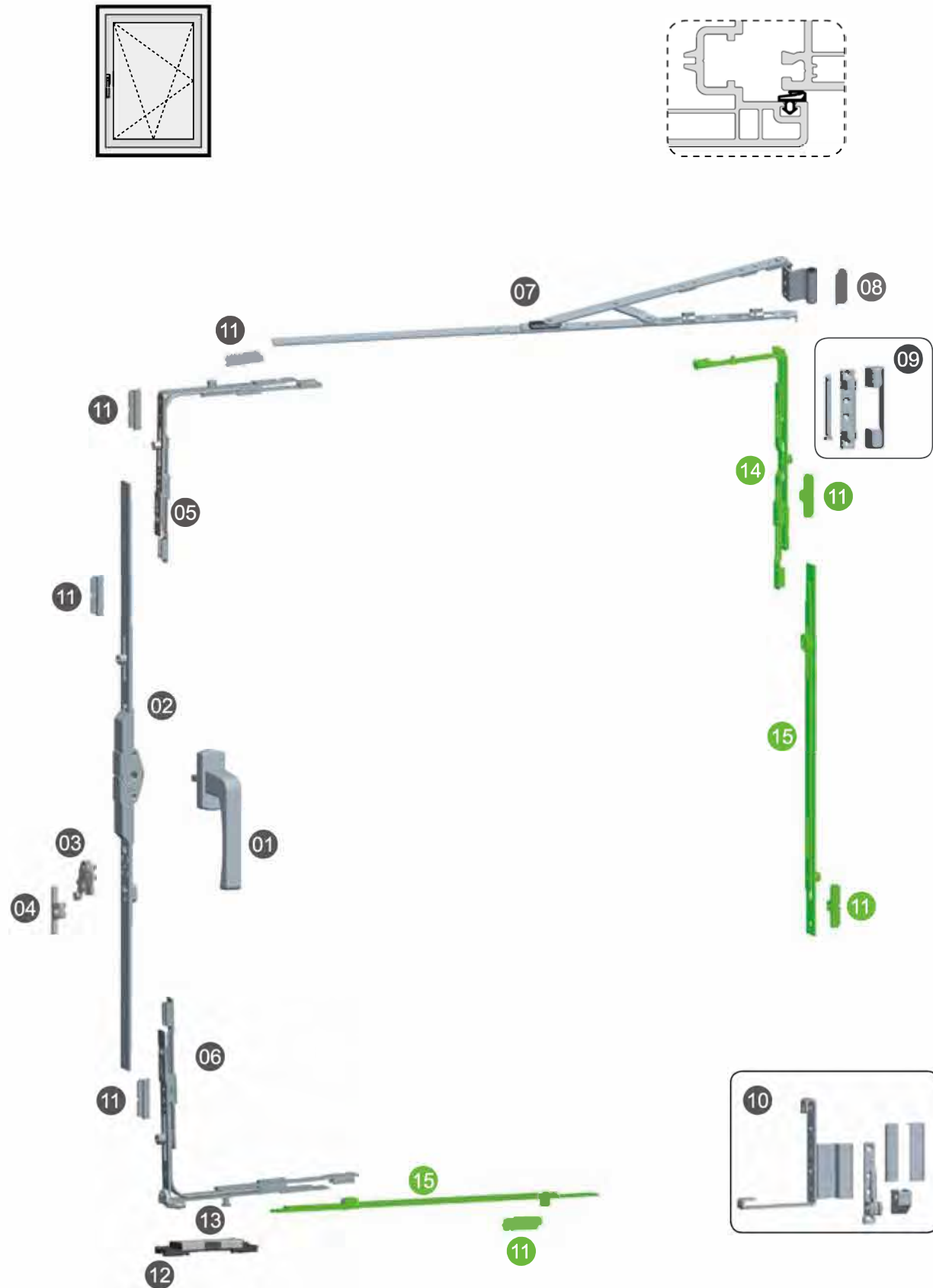
Safe and practical

With two ways of error-prevention function, it can prevent the wrong operation among the 3 conditions of open or close, and avoid the use disorder and safety risks. Meanwhile, It is equipped with the concealed safety accessory-safety corner device, which is installed at the upper corner of window and can change the status of locking point to limit the opening, especially to limit operating of children and specific populations, increasing the safety and windows style.



1-1 SCPX100 Series Turn-and-Tilt Window Hardware System

Hardware Configuration for SCPX100 Series

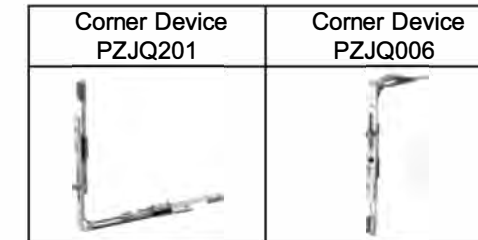


Number	Product Name	Code	Quantity	Remark
01	Handle	PZSN001	1	Optional, Please indicate the color while placing order
02	Transmitter	PCDQN47509-12	1	Depends on window system
03	Anti-misoperation Device	PFWQR001	1	Left & Right
04	Anti-misoperation Block	PFWK00109A	1	
05	Corner Device	PZJQ204	1	Optional
06	Corner Device	PZJQ202	1	
07	Connecting Rod	PLGNXR10906-08	1	Left & Right
08	Outer Cover	PHYSN002-03A	1	Please indicate the color while placing order
09	Upper Pivot Hinge	PHYSN003	1	Please indicate the color while placing order, standard hardware can be purchased by sets or pieces, please refer to page 82/83 for details
10	Bottom Pivot Hinge	PHYXNR0109	1	
11	Locking Plate	PSK00109	4	Depends on the quantity of locking points
12	Supporting Block	PZCZ0010902	1	Optional
13	Supporting Cap	PZCG00109	1	
14	Corner Device	PZJQ203	1	
15	Side Transmission Rod	PBCDG004	2	

Optional Handle



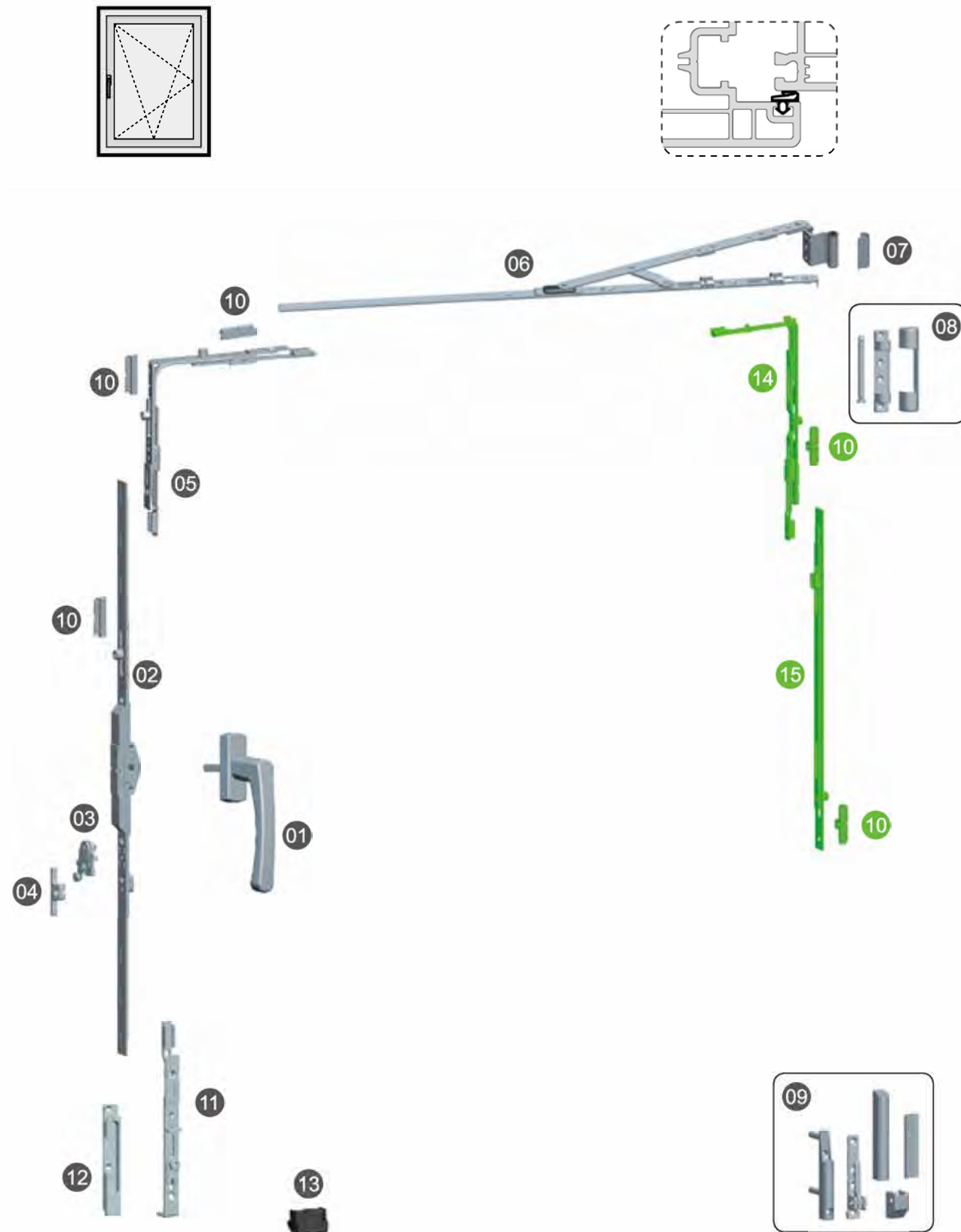
Optional Corner Device



Configuration Instruction

1. Above configuration is applicable to "9" series PVC profile, Besides there is "13" series configuration.
2. Items in green are optional.
3. This configuration is applicable to (including the selective items) sash with height ranged from 570mm to 1800mm and width ranged from 320mm to 1000mm. But not all of the selective items in suitable range can fit for it with different window proportion. The recommended proportion is Width: Height=1:1.5
4. The maximum load bearing capacity of this configuration is 90kg, the load bearing capacity depends on the pivot hinge, please refer to pivot hinge series:
The sash weight (including the weight of glass, sash profile and other accessories) X1.4 (Safety coefficient) ≤ The maximum load bearing capacity of the pivot hinge.
5. If need to increase the safety, then hardware with anti-theft locking point can be selected.
6. The above is only for reference. Please consult our technical department for sepecific requierment.

1-2 SCPX200 Series Turn-and-Tilt Window Hardware System



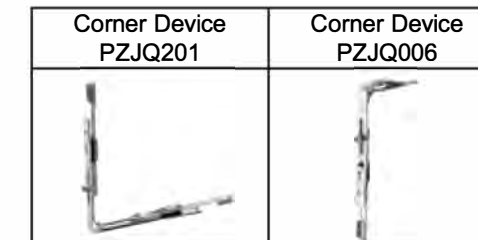
Hardware Configuration for SCPX200 Series

Number	Product Name	Code	Quantity	Remark
01	Handle	PZSN007	1	Optional, Please indicate the color while placing order
02	Transmitter	PCDQN47509-12	1	Depends on window system
03	Anti-misoperation Device	PFWQR001	1	Left & Right
04	Anti-misoperation Block	PFWK00109A	1	
05	Corner Device	PZJQ204	1	Optional
06	Connecting Rod	PLGNXR10906-08	1	Left & Right
07	Outer Cover	PHYSN002-03A	1	Please indicate the color while placing order
08	Upper Pivot Hinge	PHYSN003	1	Please indicate the color while placing order, standard hardware can be purchased by sets or pieces, please refer to page 82/83 for details
09	Bottom Pivot Hinge	PHYXN002	1	
10	Locking Plate	PSK00109	3	Depends on the quantity of locking points
11	Overturn supporter	PFZZCN001A	1	
12	Tilting Locking Plate	PQZSKNR001A	1	Left & Right
13	Lifting Block	PTSK00102	1	
14	Corner Device	PZJQ203	1	
15	Side Transmission Rod	PBCDG004	1	

Optional Handle



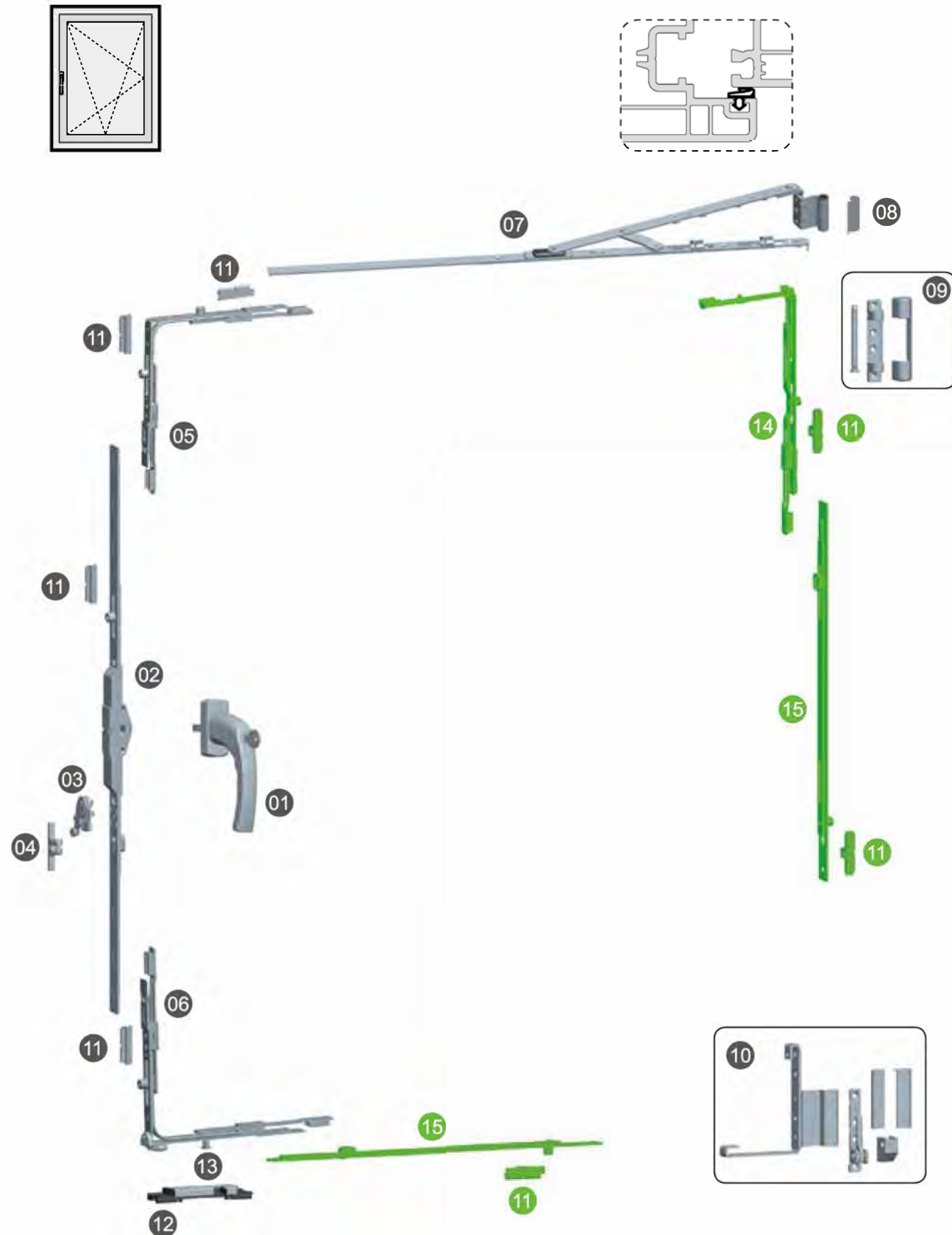
Optional Corner Device



Configuration Instruction

- Above configuration is applicable to "9" series PVC profile, Besides there is "13" series configuration.
- Items in green are optional.
- This configuration is applicable to (including the selective items) sash with height ranged from 570mm to 1800mm and width ranged from 320mm to 1000mm. But not all of the selective items in suitable range can fit for it with different window proportion. The recommended proportion is Width: Height=1:1.5
- The maximum load bearing capacity of this configuration is 90kg, the load bearing capacity depends on the pivot hinge, please refer to pivot hinge series:
The sash weight (including the weight of glass, sash profile and other accessories) X1.4 (Safety coefficient) ≤ The maximum load bearing capacity of the pivot hinge.
- If need to increase the safety, then hardware with anti-theft locking point can be selected.
- The above is only for reference. Please consult our technical department for specific requirement.

2-1 SCXP100 Series Tilt-and-Turn Window Hardware System



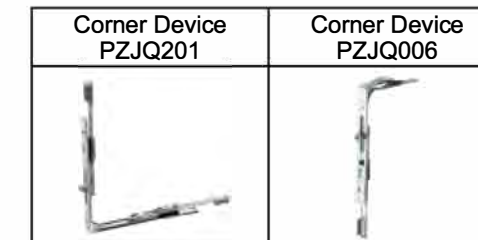
Hardware Configuration for SCXP100 Series

Number	Product Name	Code	Quantity	Remark
01	Handle	PZSN017	1	Optional, Please indicate the color while placing order
02	Transmitter	PCDQN47509-12	1	Depends on window system
03	Anti-misoperation Device	PFWQR001	1	Left & Right
04	Anti-misoperation Block	PFWK00109A	1	
05	Corner Device	PZJQ204	1	Optional
06	Corner Device	PZJQ202	1	
07	Connecting Rod	PLGXNR10906-08	1	Left & Right
08	Outer Cover	PHYSN002-03A	1	Please indicate the color while placing order
09	Upper Pivot Hinge	PHYSN003	1	Please indicate the color while placing order, standard hardware can be purchased by sets or pieces, please refer to page 82/83 for details
10	Bottom Pivot Hinge	PHYXNR0109	1	
11	Locking Plate	PSK00109	4	Depends on the quantity of locking points
12	Supporting Block	PZCZ0010902	1	
13	Supporting Cap	PZCGR00109	1	Left & Right
14	Corner Device	PZJQ203	1	
15	Side Transmission Rod	PBCDG004	2	

Optional Handle



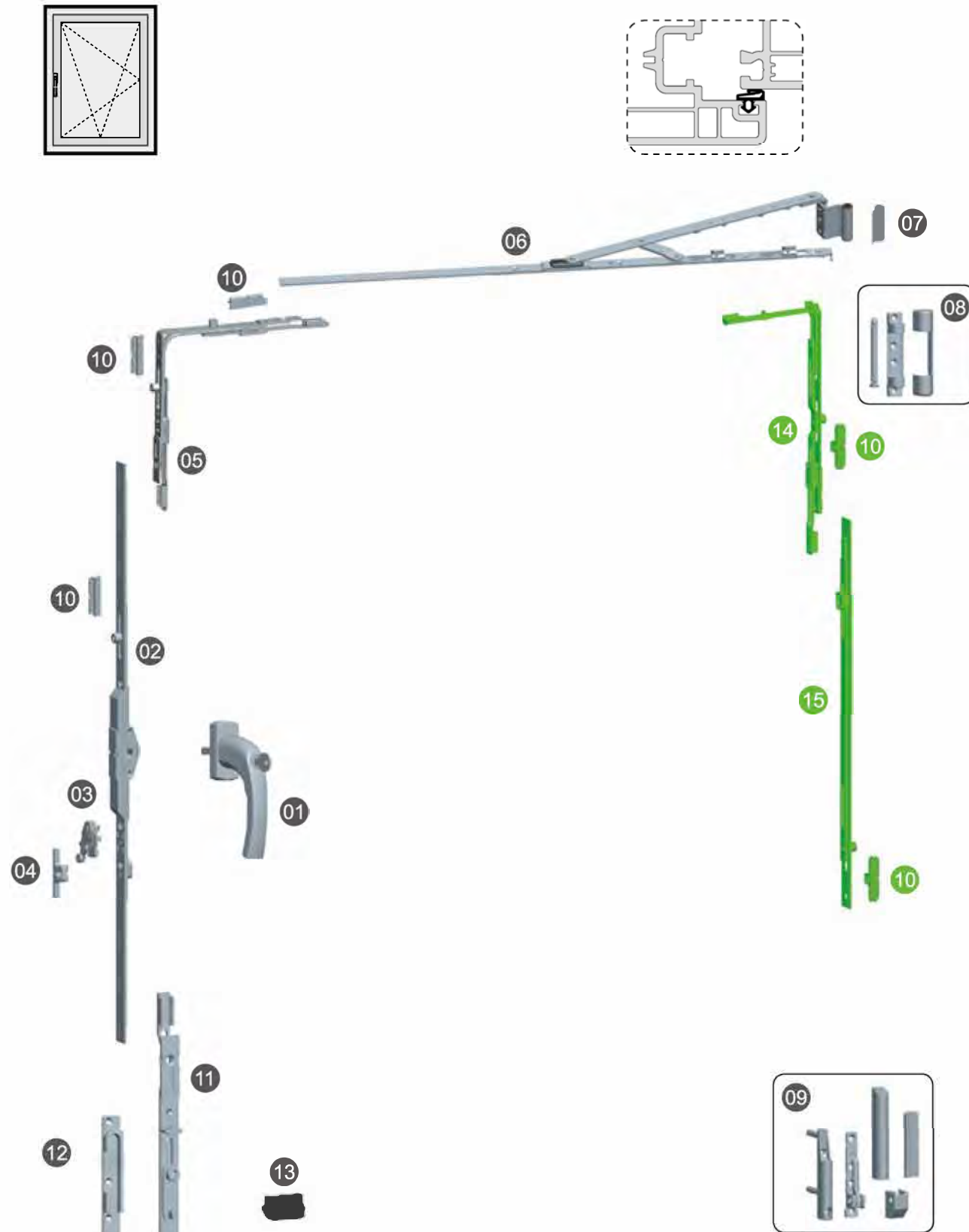
Optional Corner Device



Configuration Instruction

- Above configuration is applicable to "9" series PVC profile, Besides there is "13" series configuration.
- Items in green are optional.
- This configuration is applicable to (including the selective items) sash with height ranged from 570mm to 1800mm and width ranged from 320mm to 1000mm. But not all of the selective items in suitable range can fit for it with different window proportion. The recommended proportion is Width: Height=1:1.5
- The maximum load bearing capacity of this configuration is 90kg, the load bearing capacity depends on the pivot hinge, please refer to pivot hinge series:
The sash weight (including the weight of glass, sash profile and other accessories) X1.4 (Safety coefficient) ≤ The maximum load bearing capacity of the pivot hinge.
- If need to increase the safety, then hardware with anti-theft locking point can be selected.
- The above is only for reference. Please consult our technical department for sepecific requierment.

2-2 SCXP200 Series Tilt-and-Turn Window Hardware System



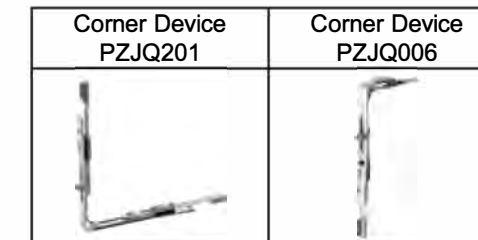
Hardware Configuration for SCXP200 Series

Number	Product Name	Code	Quantity	Remark
01	Handle	PZSN017	1	Optional, Please indicate the color while placing order
02	Transmitter	PCDQN47509-12	1	Depends on window system
03	Anti-misoperation Device	PFWQR001	1	Left & Right
04	Anti-misoperation Block	PFWK00109A	1	
05	Corner Device	PZJQ204	1	Optional
06	Connecting Rod	PLGXNR10906-08	1	Left & Right
07	Outer Cover	PHYSN002-03A	1	Please indicate the color while placing order
08	Upper Pivot Hinge	PHYSN003	1	Please indicate the color while placing order, standard hardware can be purchased by sets or pieces, please refer to page 82/83 for details
09	Bottom Pivot Hinge	PHYXN002	1	
10	Locking Plate	PSK00109	3	Depends on the quantity of locking points
11	Overturn supporter	PFZZCX001A	1	
12	Tilting Locking Plate	PQZSKXR001	1	Left & Right
13	Lifting Block	PTSK00102	1	
14	Corner Device	PZJQ203	1	
15	Side Transmission Rod	PBCDG004	1	

Optional Handle



Optional Corner Device



Configuration Instruction

- Above configuration is applicable to "9" series PVC profile, Besides there is "13" series configuration.
- Items in green are optional.
- This configuration is applicable to (including the selective items) sash with height ranged from 570mm to 1800mm and width ranged from 320mm to 1000mm. But not all of the selective items in suitable range can fit for it with different window proportion. The recommended proportion is Width: Height=1:1.5
- The maximum load bearing capacity of this configuration is 90kg, the load bearing capacity depends on the pivot hinge, please refer to pivot hinge series:
The sash weight (including the weight of glass, sash profile and other accessories) X1.4 (Safety coefficient) ≤ The maximum load bearing capacity of the pivot hinge.
- If need to increase the safety, then hardware with anti-theft locking point can be selected.
- The above is only for reference. Please consult our technical department for sepecific requierment.

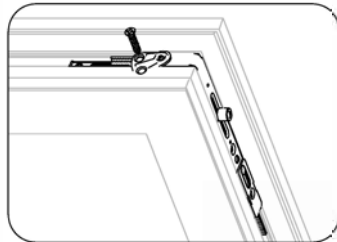
Instructions of Turn-and-Tilt window and Tilt-and-Turn Window system

Drilling and Installation

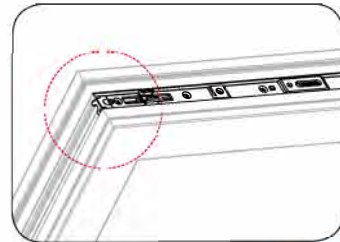
Instructions

- 1 Pivot hinge-The duplicator PKMQ09/I and PKMQ09/II is required when drilling for the pivot hinge.
All adjustable parts should be located at the initial adjustment position before installing pivot hinge.
- 2 Handle-drilling dimension of open-in handle refers to the center of the transmitter, the transmitter hole should be in a concentric condition with the spindle hole of the handle, the handle should be installed in horizontal position 90°.
- 3 Selecting the stainless steel ST4.2 self-tapping countersunk screws.

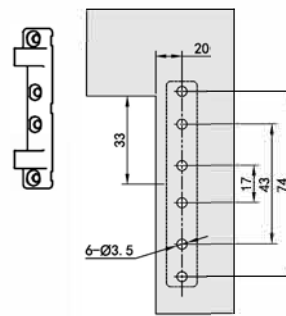
Installation of corner device PZJQ006



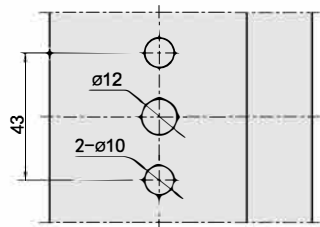
Connecting rod locking block should close to the notches surface



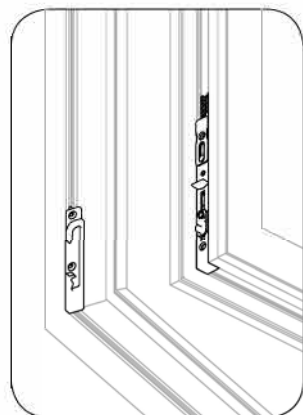
drilling drawing for Upper Pivot hinge



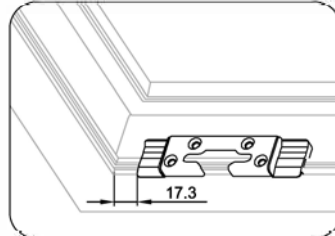
Drilling drawing for handle



Installation of overturn supporter and locking plate

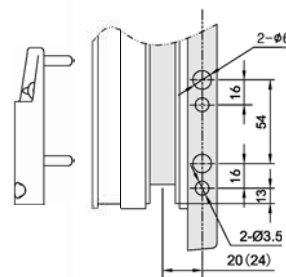


Installation of supporting block and supporting cover

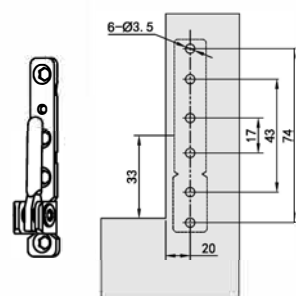


Drilling drawing for bottom pivot hinge PHYXN002

Drilling with Duplicator PKMQ03A



Drilling drawing for bottom pivot hinge

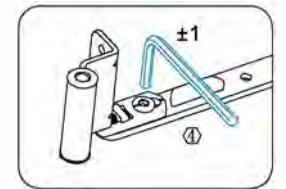
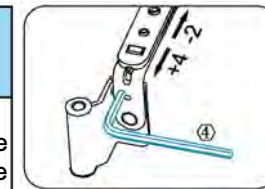


Adjustment and Installation

Connecting Rod Installation/Adjustment Illustration



Code Number	Applicable Height	Maximum Cross-Sectional Dimension	Remark
PLGNXR10904-06	430-600	170	applicable to the rod of the same size the X figure is the same
PLGNXR10906-08	601-800	200	
PLGNXR10908-10	801-1000	200	



the sash sagging can be adjusted, the installation error can be absorbed

the air tightness, water tightness and weather-strip tightness can be adjusted after door locked.

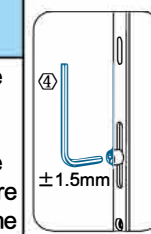
■ please refer to Page 169 for cutting profile

Drilling drawing for bottom pivot hinge PHYXN002

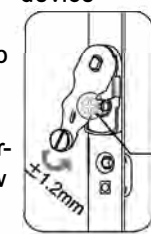


Code Number	Applicable Height	Rod Length	Maximum Cross-Sectional Dimension	Remark
PCDQN47505-07	570-730	428	80	applicable to the rod of the same size the X figure is the same
PCDQN47507-09	690-900	596	105	
PCDQN47509-12	901-1200	896	150	
PCDQN47512-16	1201-1600	1296	200	
PCDQN47512-18	1201-1800	392	0	

lock point



Misoperation device



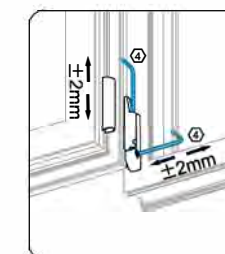
adjust the overlap of locking-point and locking plate to improve the air-tightness of window

particular screw M4*6

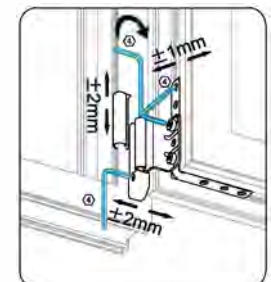
■ please refer to Page 169 for cutting profile

Adjustment illustration of bottom hinge for UPVC profile

3-D adjustable Hinge can improve air tightness, water tightness of door, and the installation error can be eliminated

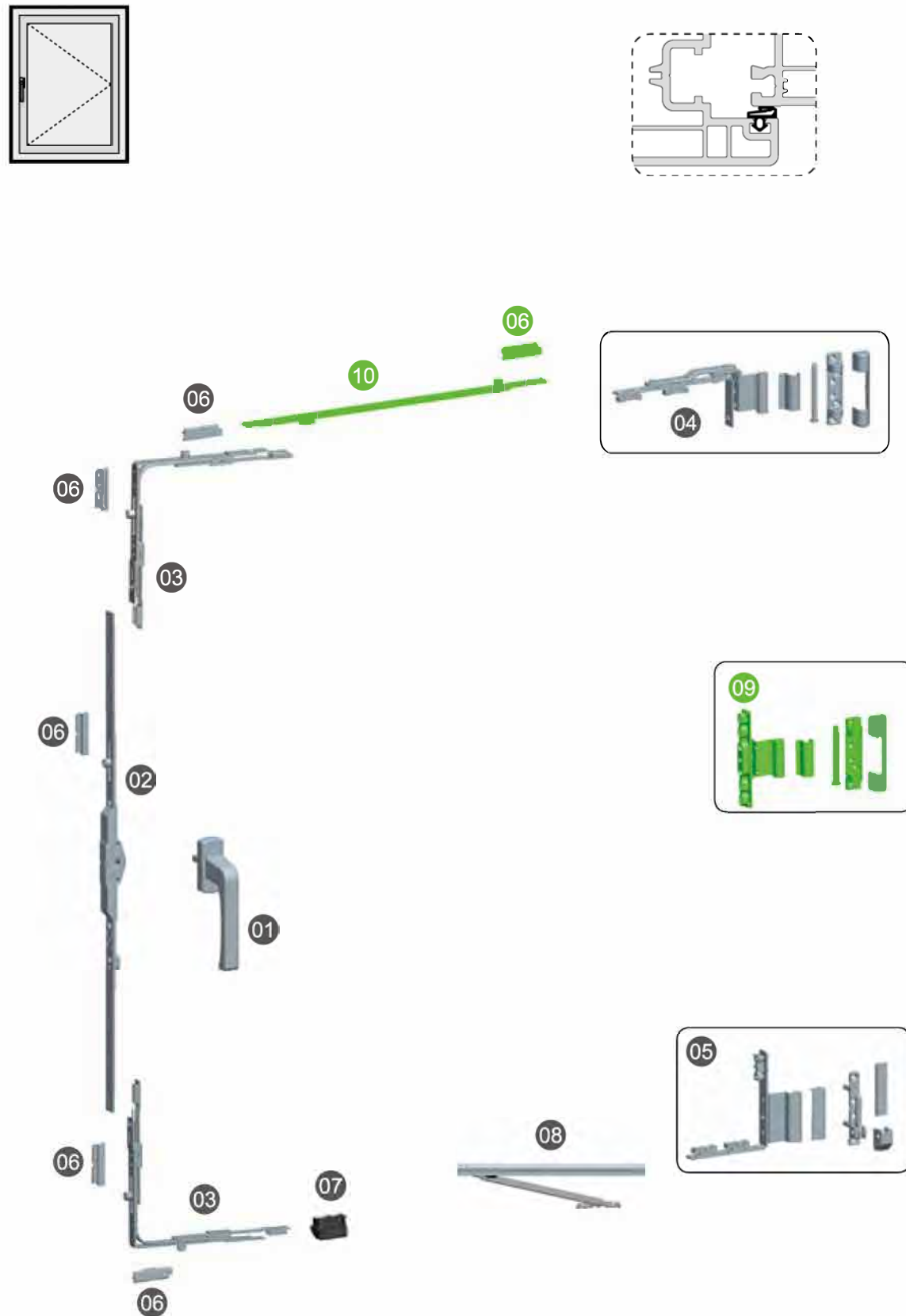


PHYXN002 adjustment illustration



PHYXNR/L0109 adjustment illustration

3-1 SCPN100 Series Open-in Side-hung Window Hardware System



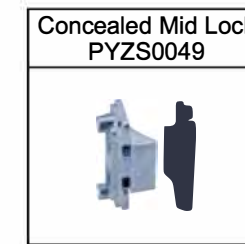
Hardware Configuration for SCPN100 Series

Number	Product Name	Code	Quantity	Remark
01	Handle	PZSN001	1	Optional, Please indicate the color while placing order
02	Transmitter	PCDQN47509-12	1	Depends on window system
03	Corner Device	PZJQ204	2	Optional
04	Upper Corner Hinge	PHYSNR0029	1	Left&Right, Please indicate the color while placing order, standard hardware can be purchased by sets or pieces, please refer to page 82 for details
05	Bottom Pivot Hinge	PHYXNR0099	1	Left&Right, Please indicate the color while placing order, standard hardware can be purchased by sets or pieces, please refer to page 83 for details
06	Locking Plate	PSK00109	5	Depends on the quantity of locking points
07	Lifting Block	PTSK00102	1	
08	Pegstay	Refer to Pegstay Series	1	Depends on window system
09	Mid Pivot Hinge	PHYZ00809	1	Please indicate the color while placing order, standard hardware can be purchased by sets or pieces, please refer to page 82 for details
10	Side Transmission Rod	PBCDG004	1	

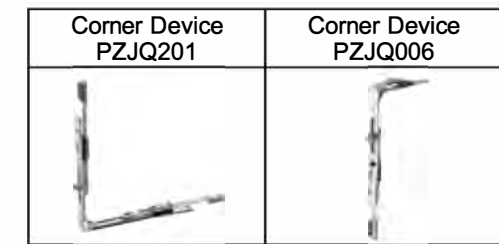
Optional Handle



Optional Mid Pivot Hinge



Optional Corner Device

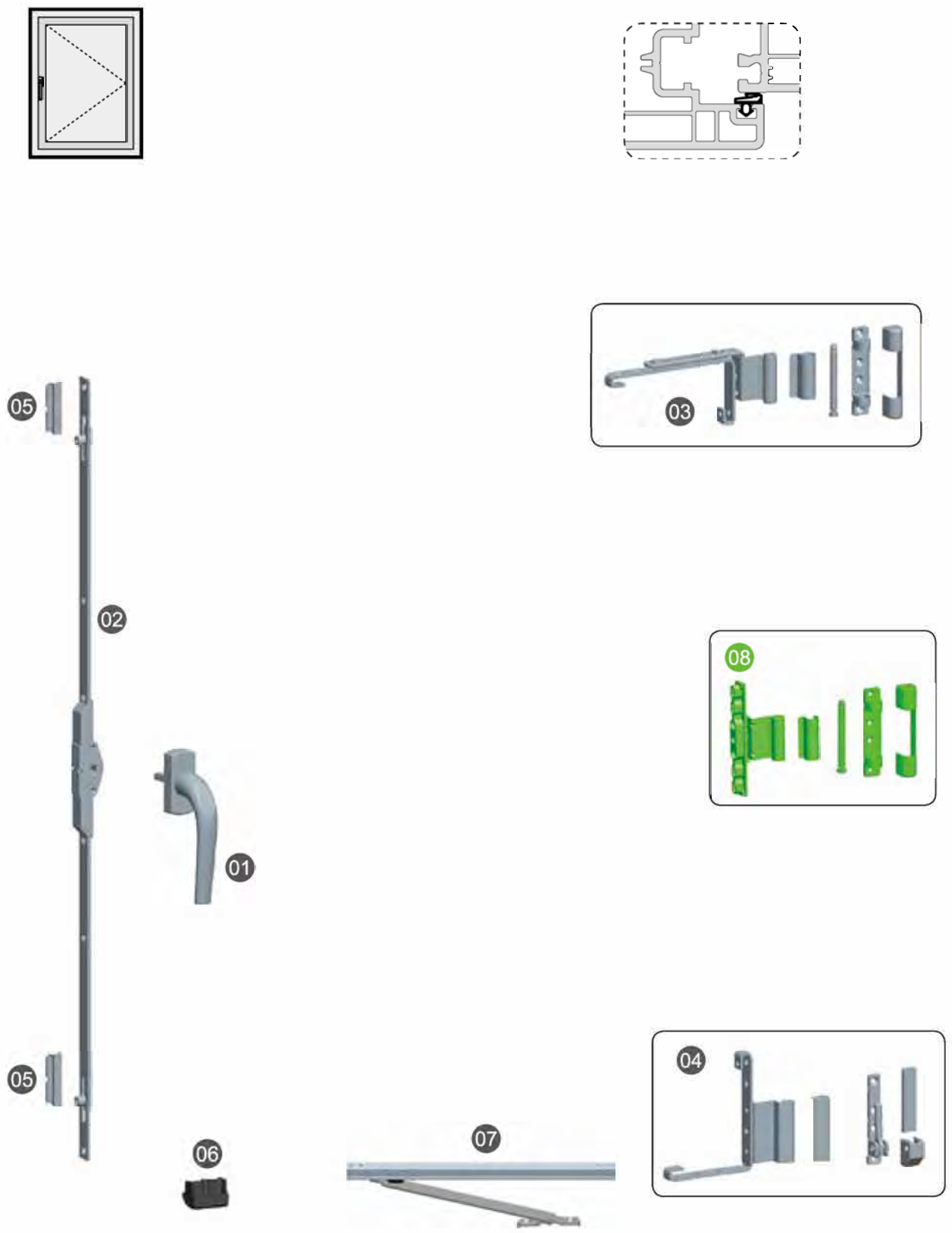


Configuration Instruction

- Above configuration is applicable to "9" series PVC profile, Besides there is "13" series configuration.
- Items in green are optional.
- This configuration is applicable to (including the selective items) sash with height ranged from 570mm to 1800mm and width ranged from 650mm to 1000mm. But not all of the selective items in suitable range can fit for it with different window proportion. The recommended proportion is Width: Height=1:1.5
- The maximum load bearing capacity of this configuration is 130kg, the load bearing capacity depends on the pivot hinge, please refer to pivot hinge series:
The sash weight (including the weight of glass, sash profile and other accessories) X1.4 (Safety coefficient) ≤ The maximum load bearing capacity of the pivot hinge.
- If need to increase the safety, then hardware with anti-theft locking point can be selected.
- The above is only for reference. Please consult our technical department for sepecific requierment.

3-2 SCPN200Series Open-in Side-hung Window Hardware System

Hardware Configuration for SCPN200



Number	Product Name	Code	Quantity	Remark
01	Handle	PZSN013	1	Optional, Please indicate the color while placing order
02	Transmitter	PCDQND47508	1	Depends on window system
03	Upper Corner Hinge	PHYSNR0039	1	Left&Right, Please indicate the color while placing order, standard hardware can be purchased by sets or pieces, please refer to page 82 for details
04	Bottom Pivot Hinge	PHYXNR0109	1	Left&Right, Please indicate the color while placing order, standard hardware can be purchased by sets or pieces, please refer to page 83 for details
05	Locking Plate	PSK00109	2	Depends on the quantity of locking points
06	Lifting Block	PTSK00102	1	
07	Pegstay	Refer to Pegstay Series	1	Depends on window system
08	Mid Pivot Hinge	PHYZ00709	1	Please indicate the color while placing order, standard hardware can be purchased by sets or pieces, please refer to page 78 for details

Optional Handle



Optional Mid Pivot Hinge

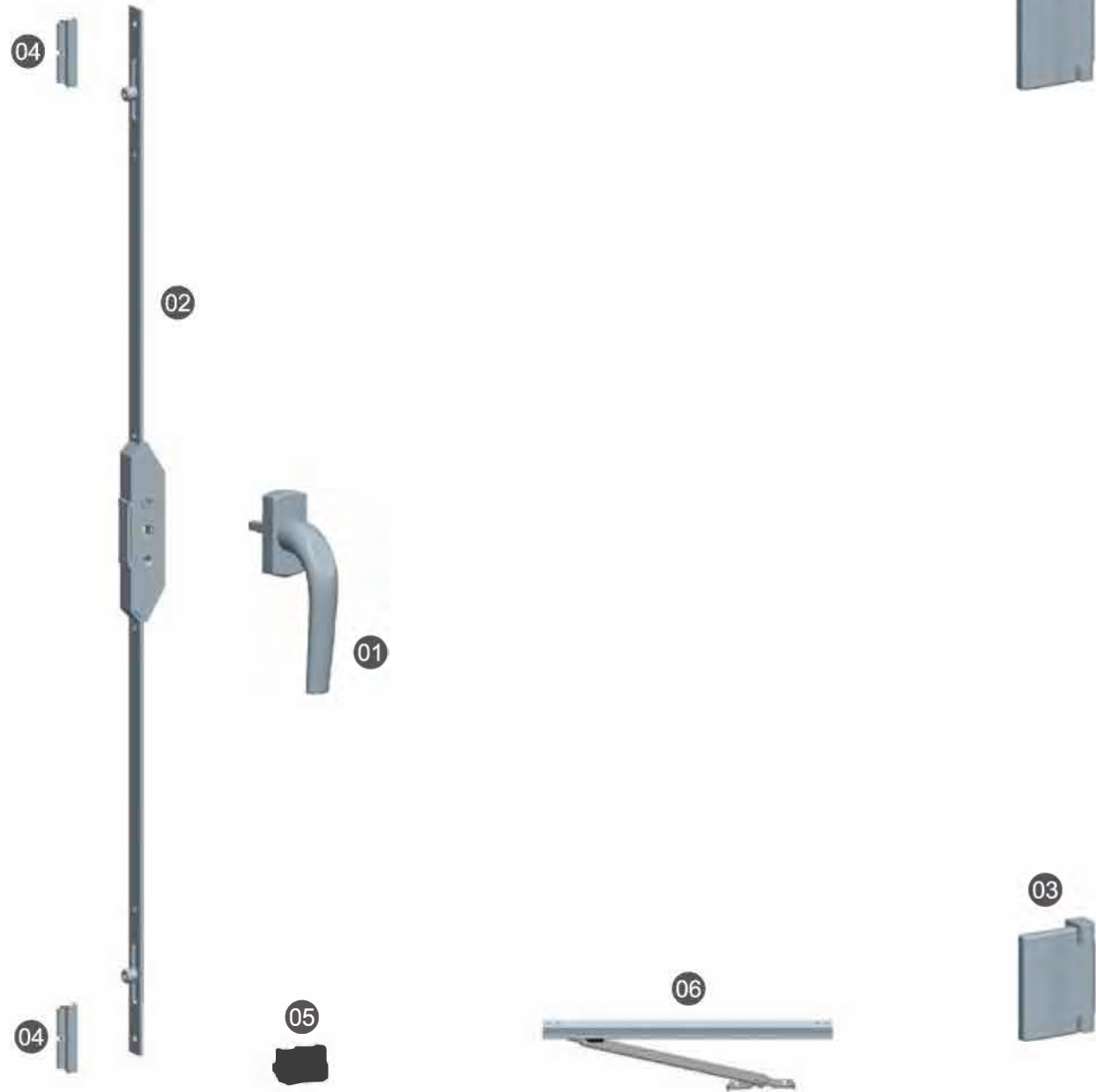
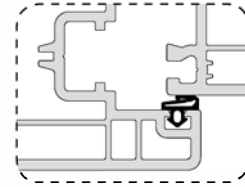
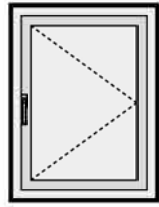


Configuration Instruction

- Above configuration is applicable to "9" series PVC profile, Besides there is "13" series configuration.
- Items in green are optional.
- This configuration is applicable to (including the selective items) sash with height ranged from 400mm to 2200mm and width ranged from 450mm to 1000mm. But not all of the selective items in suitable range can fit for it with different window proportion. The recommended proportion is Width: Height=1:1.5
- The maximum load bearing capacity of this configuration is 90kg, the load bearing capacity depends on the pivot hinge, please refer to pivot hinge series:
The sash weight (including the weight of glass, sash profile and other accessories) X1.4 (Safety coefficient) ≤ The maximum load bearing capacity of the pivot hinge.
- If need to increase the safety, then hardware with anti-theft locking point can be selected.
- The above is only for reference. Please consult our technical department for sepecific requierment.

3-3 SCPN300 Series Open-in Side-hung Window Hardware System

Hardware Configuration for SCPN300



Number	Product Name	Code	Quantity	Remark
01	Handle	PZSN013	1	Optional, Please indicate the color while placing order
02	Transmitter	PCDQS07508	1	Depends on window system
03	Pivot Hinge	PHY009	2	Please indicate the color while placing order
04	Locking Plate	PSK00109	2	Depends on the quantity of locking points
05	Lifting Block	PTSK00102	1	
06	Pegstay	Refer to Pegstay Series	1	Depends on window system

Optional Handle



Optional Pivot Hinge

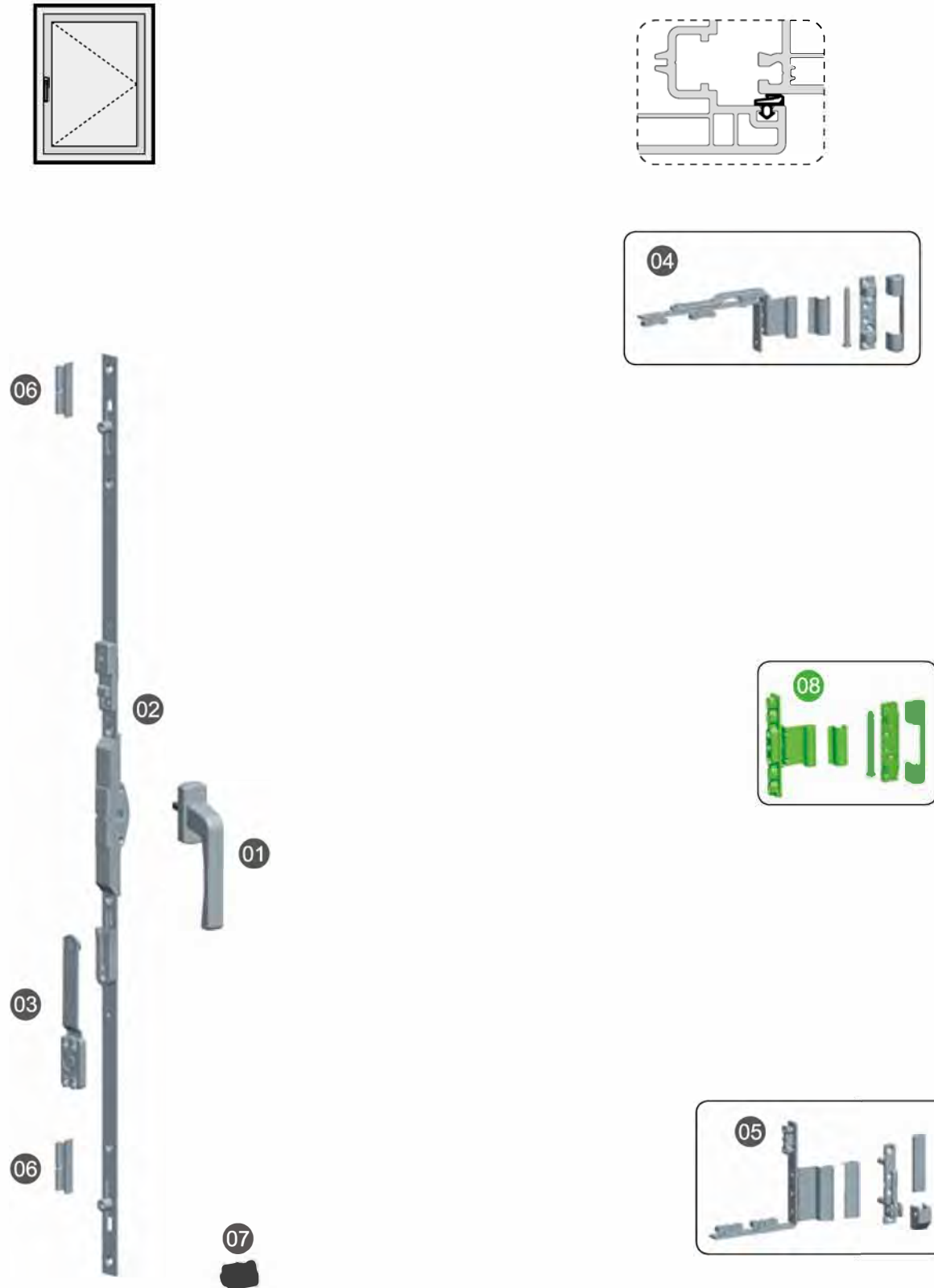


Configuration Instruction

1. This configuration is applicable to (including the selective items) sash with height ranged from 600mm to 1600mm and width ranged from 400mm to 1000mm. But not all of the selective items in suitable range can fit for it with different window proportion. The recommended proportion is Width: Height=1:1.5
2. If the height between the top and bottom grooves of sash > or =900mm, It is recommended to use 3 pcs of hinges.
3. The maximum load bearing capacity of this configuration is 90kg, the load bearing capacity depends on the pivot hinge, please refer to pivot hinge series:
The sash weight (including the weight of glass, sash profile and other accessories) X1.4 (Safety coefficient) ≤ The maximum load bearing capacity of the pivot hinge.
4. If need to increase the safety, then hardware with anti-theft locking point can be selected.
5. The above is only for reference. Please consult our technical department for sepecific requierment.

3-4 SCPN400 Series Open-in Side-hung Window Hardware System(Safety&Micro-Ventilation)

Hardware Configuration for SCPN400 Series



Number	Product Name	Code	Quantity	Remark
01	Handle	PZSN001	1	Optional, Please indicate the color while placing order
02	Safety&Micro-Ventilation Device	PCDQAF47508	1	Depends on window system
03	Micro-Ventilation Device of Frame Part	PCDQAF475K09	1	
04	Upper Corner Hinge	PHYSNR0029	1	Left&Right, Please indicate the color while placing order, standard hardware can be purchased by sets or pieces, please refer to page 82 for details
05	Bottom Pivot Hinge	PHYXNR0099	1	Left&Right, Please indicate the color while placing order, standard hardware can be purchased by sets or pieces, please refer to page 83 for details
06	Locking Plate	PSK00109	2	Depends on the quantity of locking points
07	Lifting Block	PTSK00102	1	
08	Middle Pivot Hinge	PHYZ00809	1	Please indicate the color while placing order, standard hardware can be purchased by sets or pieces, please refer to page 82 for details

Optional Handle



Configuration Instruction

- Above configuration is applicable to "9" series PVC profile, Besides there is "13" series configuration.
- The maximum ventilation distance is 35mm for the this configuration.
- Items in green are optional.
- This configuration is applicable to (including the selective items) sash with height ranged from 800mm to 1400mm and width ranged from 400mm to 1000mm. But not all of the selective items in suitable range can fit for it with different window proportion. The recommended proportion is Width: Height=1:1.5
- The maximum load bearing capacity of this configuration is 130kg, the load bearing capacity depends on the pivot hinge, please refer to pivot hinge series:
The sash weight (including the weight of glass, sash profile and other accessories) X1.4 (Safety coefficient) ≤ The maximum load bearing capacity of the pivot hinge.
- If need to increase the safety, then hardware with anti-theft locking point can be selected.
- The above is only for reference. Please consult our technical department for sepecific requierment.

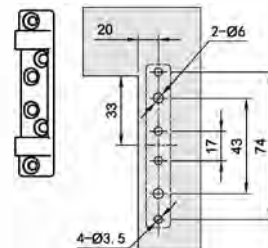
Instruction of Open-in Side-Hung Window (Safety&Micro-ventilation)

Drilling and Installation

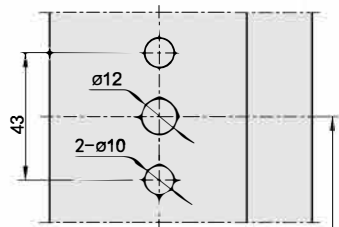
Instructions

- 1 Pivot hinge-The duplicator PKMQ09/I and PKMQ09/II is required when drilling for the upper pivot hinge. All adjustable parts should be located at the initial adjustment position before installing pivot hinge.
- 2 Handle-drilling dimension of open-in handle refers to the center of the transmitter, the transmitter hole should be in a concentric condition with the spindle hole of the handle, the handle should be installed in horizontal position 90°.
- 3 Selecting the stainless steel ST4.2 self-tapping countersunk screws.

Drilling drawing for upper pivot hinge



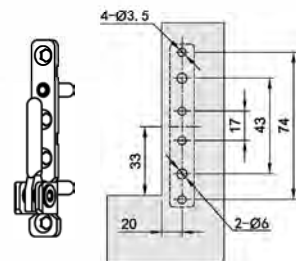
Drilling drawing for handle



Installation of Safety & Micro-Ventilation frame parts



Drilling drawing for handle



Window Introduction

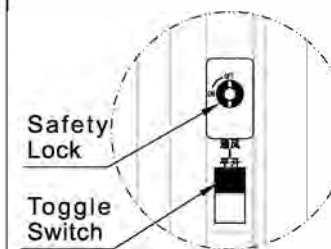


Safety & Anti-theft Open-in Side-Hung Window Accessories

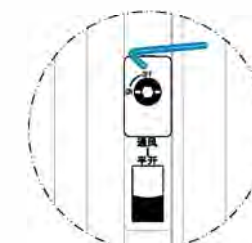
- ◆ Safety Linking Rod Ventilation System.
- ◆ Ventilation gap 35mm to realize real Ventilation function.
- ◆ Professional Anti-pry&anti-theft Mushroom Locking Point system.



Operation Introduction

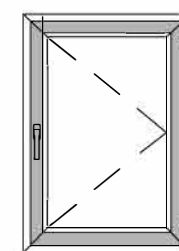


At this position, The window is in ventilation status and the window can be locked and realized Micro-ventilation, but can not be opened. And when the safety lock locked(OFF), toggle switch can not be operated.

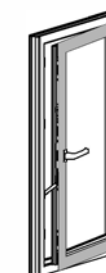


① When the window is in ventilation status, rotate the knob to "ON" with #4 spanner anticlockwise to relieve the safety lock.

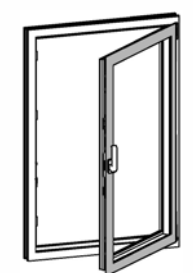
② Operate the switch downward to open the window.



Locking status

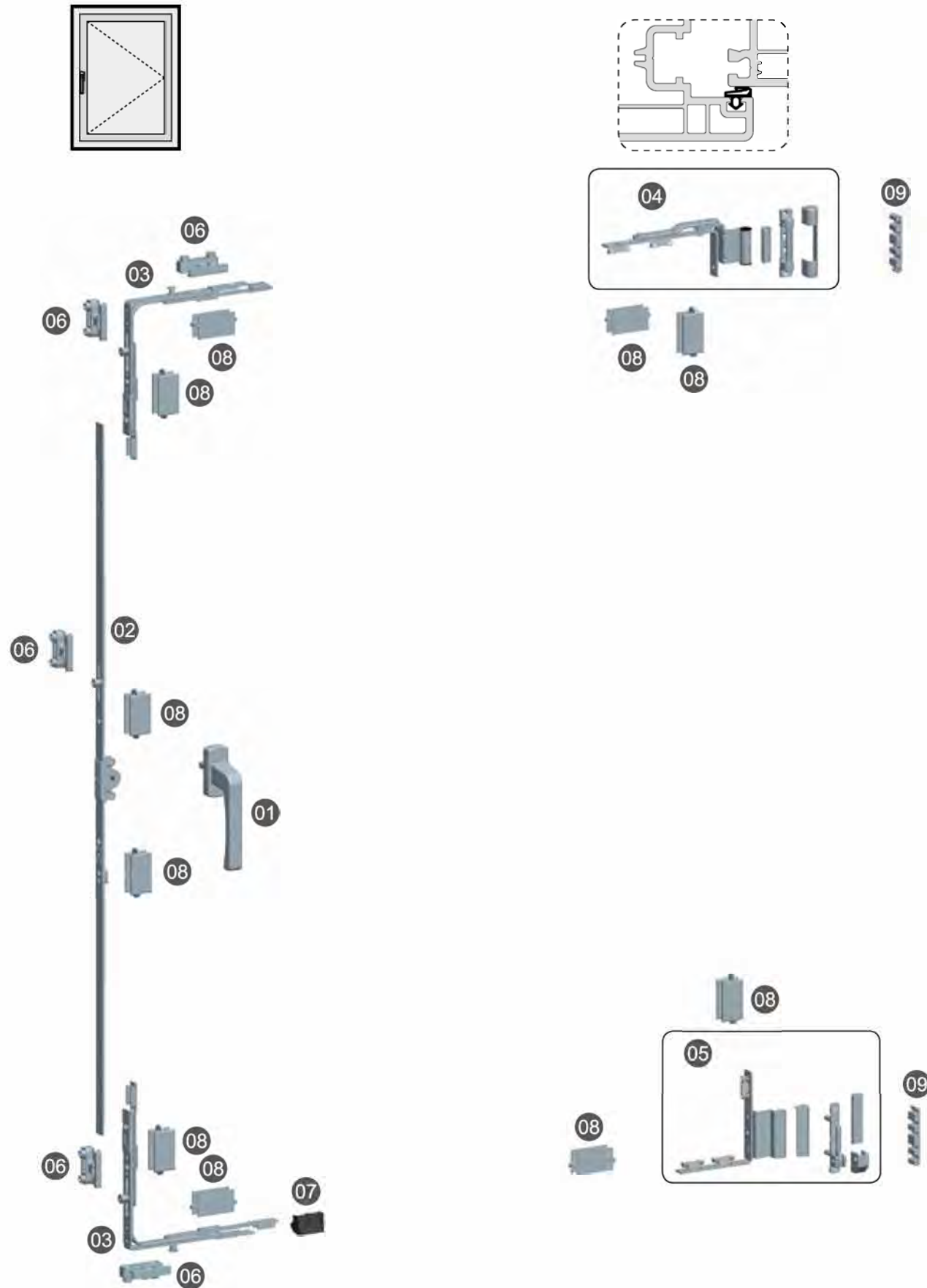


Contra-rotating the handle 90°, open inward to realize the micro-ventilation function



Unlock the push button, contra-rotating the handle to 180° from the locking status, then the window can be opened inward and side hung.

3-5 SCPN500 Series Open-in Side-Hung Fire-proof Window System



Hardware Configuration for SCPN500 Series

Number	Product Name	Code	Quantity	Remark
01	Handle	PZSN001	1	Optional, Please indicate the color while placing order
02	Transmitter	PCDQFH01509-12A	1	Depends on window system
03	Corner Device	PZJQ304	2	
04	Upper Corner Hinge	PHYSNR00413	1	Left&Right, Please indicate the color while placing order, standard hardware can be purchased by sets or pieces, please refer to page 82 for details
05	Bottom Pivot Hinge	PHYXNR00913	1	Left&Right, Please indicate the color while placing order, standard hardware can be purchased by sets or pieces, please refer to page 83 for details
06	Locking Plate	PSK01713	5	Depends on window system
07	Lifting Block	PTSK00102	1	
08	Sash Connecting Block	PSLJK01A	10	
09	Frame Connector Block	PKLJK01	2	

Optional Handle



Optional Corner



Configuration Instruction

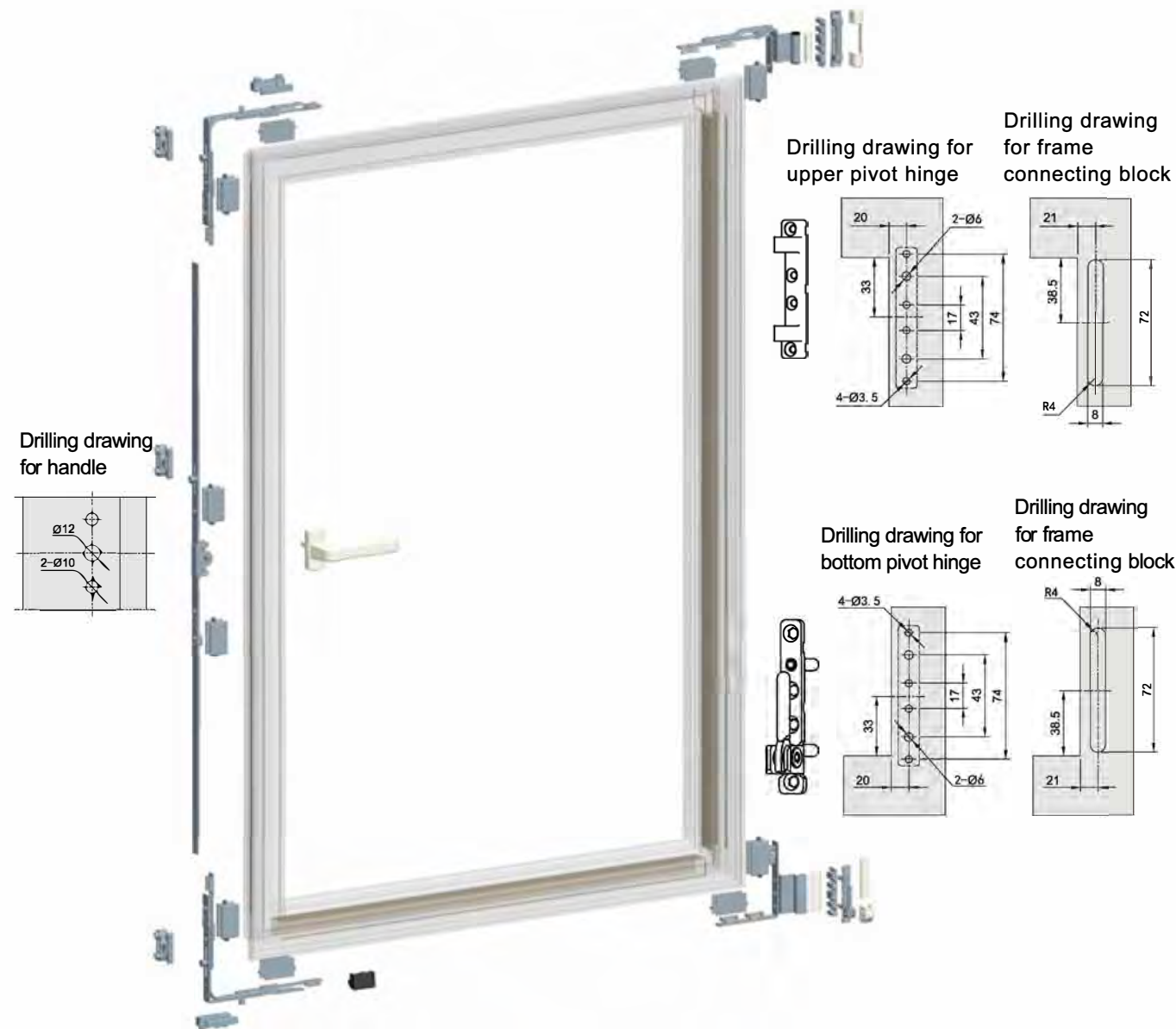
1. Above configuration is applicable to "13" series PVC profile, Besides there is "9" series configuration.
2. This configuration is applicable to (including the selective items) sash with height ranged from 700mm to 1800mm and width ranged from 400mm to 1000mm. But not all of the selective items in suitable range can fit for it with different window proportion. The recommended proportion is Width: Height=1:1.5
3. The maximum load bearing capacity of this configuration is 130kg, the load bearing capacity depends on the pivot hinge, please refer to pivot hinge series:
The sash weight (including the weight of glass, sash profile and other accessories) X1.4 (Safety coefficient) ≤ The maximum load bearing capacity of the pivot hinge.
4. The above is only for reference. Please consult our technical department for specific requirement.

Instruction of Open-in Side-Hung Fire-proof Window

Drilling and Installation

Instructions

- 1 Pivot hinge-The duplicator PKMQ09/I and PKMQ09/II is required when drilling for the upper pivot hinge. All adjustable parts should be located at the initial adjustment position before installing pivot hinge.
- 2 Handle-drilling dimension of open-in handle refers to the center of the transmitter, the transmitter hole should be in a concentric condition with the spindle hole of the handle, the handle should be installed in horizontal position 90°.
- 3 Frame connecting block-- Opening direction towards glass while installing
- 4 Selecting the stainless steel ST4.2 self-tapping countersunk screws. The screw to fix the sash connecting block depends on window profile.



Window Introduction



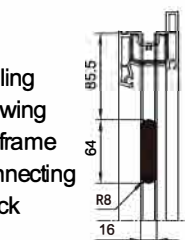
Fire-proof Window Solution

- ◆ Ultra high temperature resistant stainless steel castings.
- ◆ Fire proof hardware through the PVC profile connects steel liner directly.
- ◆ Connecting the door and window safely&reliably.
- ◆ Insulating the fire and smoke.
- ◆ Saving time for rescue.
- ◆ New Patent.



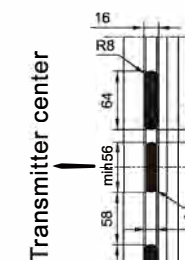
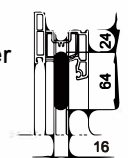
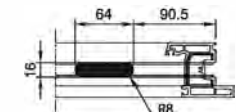
Drilling drawing for sash connecting block

Drilling drawing for frame connecting block

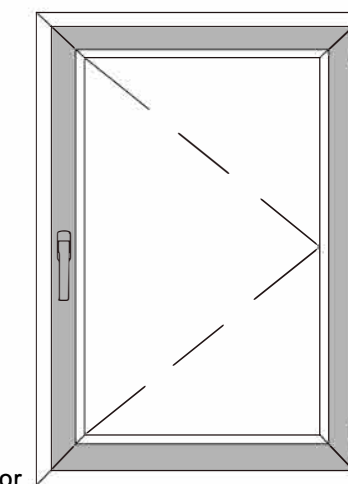


Drilling drawing for upper&bottom corner device: Milling the shadow area profile.

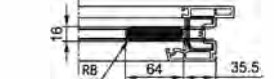
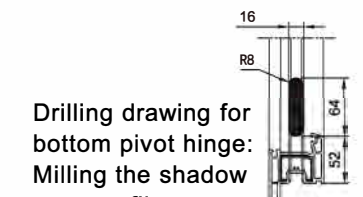
Drilling drawing for corner connect rod: Milling the shadow area profile.



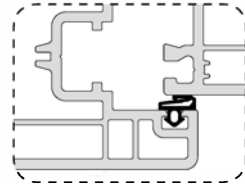
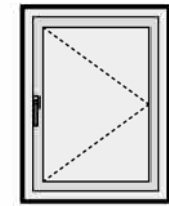
Drilling drawing for transmitter: Milling the shadow area profile.



Drilling drawing for bottom pivot hinge: Milling the shadow area profile.



3-6 SCPN600 Series Open-in Side-Hung Window Hardware System



Hardware Configuration for SCPN600 Series

Number	Product Name	Code	Quantity	Remark
01	Handle	PZSN001	1	Optional, Please indicate the color while placing order
02	Transmitter	PCDQND47508	1	Depends on window system
03	Upper Pivot Hinge	PYHYSR0029	1	Left & Right
04	Bottom Pivot Hinge	PYHYXR0029	1	Left & Right
05	Locking Plate	PSK00109	2	Depends on the quantity of locking points
06	Lifting Block	PTSK00102	1	
07	Concealed Mid Lock	PYZS0039	1	

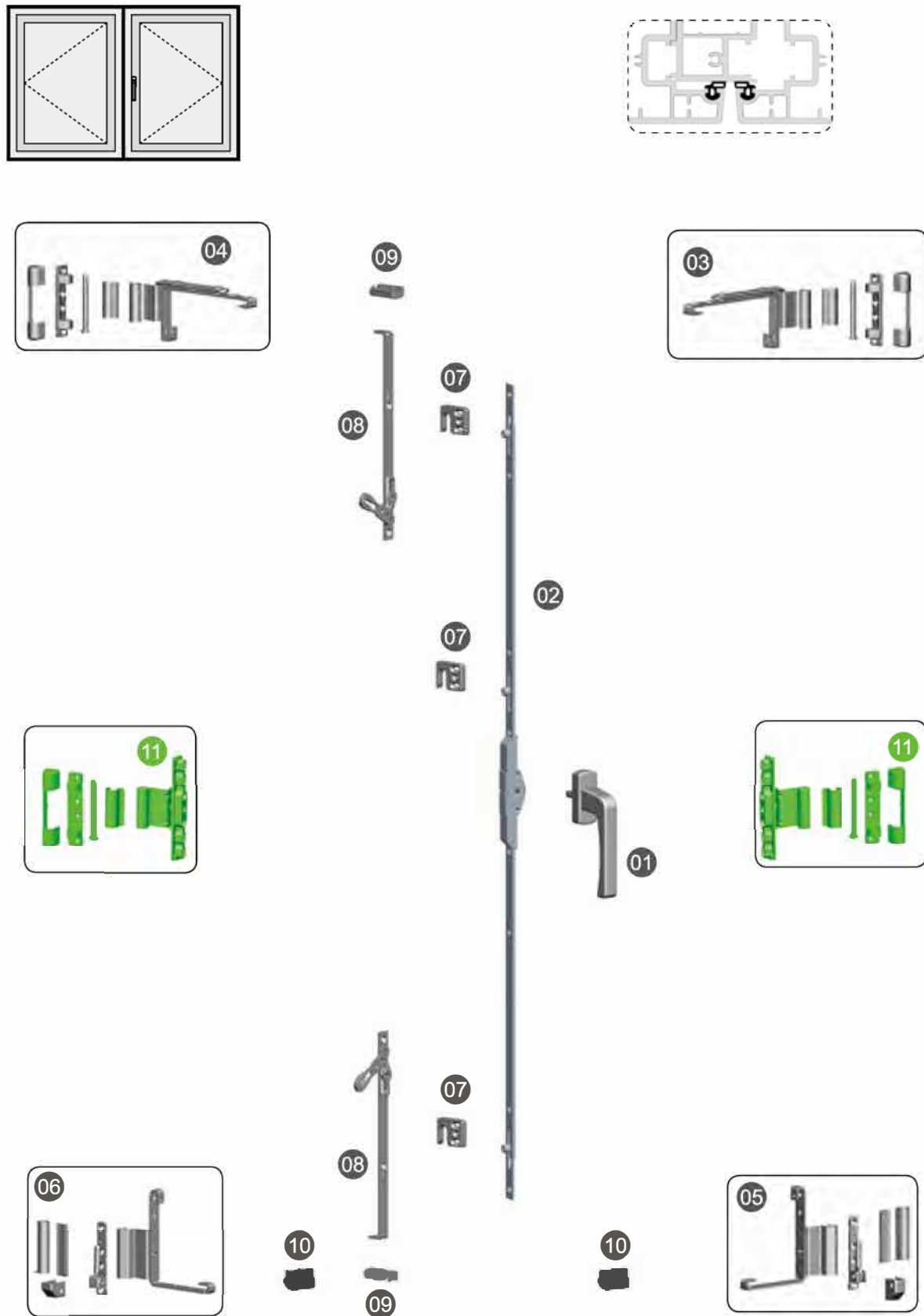
Optional Handle



Configuration Instruction

1. Above configuration is applicable to "9" series PVC profile, Besides there is "13" series configuration.
2. Items in green are optional.
3. This configuration is applicable to (including the selective items) sash with height ranged from 400mm to 2200mm and width ranged from 400mm to 1000mm. But not all of the selective items in suitable range can fit for it with different window proportion. The recommended proportion is Width: Height=1:1.5
4. The maximum load bearing capacity of this configuration is 60kg, the load bearing capacity depends on the pivot hinge, please refer to pivot hinge series:
The sash weight (including the weight of glass, sash profile and other accessories) X1.4 (Safety coefficient) ≤ The maximum load bearing capacity of the pivot hinge.
5. If need to increase the safety, then hardware with anti-theft locking point can be selected.
6. The above is only for reference. Please consult our technical department for sepecific requirement.



4-1 SCDK100 Series Double-leaf Window Hardware System With Fake Mullion






Hardware Configuration for SCDK100 Series

Number	Product Name	Code	Quantity	Remark
01	Handle	PZSN001	1	Optional, Please indicate the color while placing order
02	Transmitter	PCDQND47510	1	Depends on window system
03	Upper Corner Hinge	PHYSNR0039	1	Left&Right, Please indicate the color while placing order, standard hardware can be purchased by sets or pieces, please refer to page 82 for details
04	Upper Corner Hinge	PHYSNL0039	1	Left&Right, Please indicate the color while placing order, standard hardware can be purchased by sets or pieces, please refer to page 82 for details
05	Bottom Pivot Hinge	PHYXNR0109	1	Left&Right, Please indicate the color while placing order, standard hardware can be purchased by sets or pieces, please refer to page 83 for details
06	Bottom Pivot Hinge	PHYXNL0109	1	Left&Right, Please indicate the color while placing order, standard hardware can be purchased by sets or pieces, please refer to page 83 for details
07	Locking Plate	PSK002	3	Depends on the quantity of locking points
08	Single action bolt	PCXGN012	2	
09	Pin Block	PXK00209	2	
10	Lifting Block	PTSK00102	2	
11	Mid Pivot Hinge	PHYZ00709	2	Please indicate the color while placing order, standard hardware can be purchased by sets or pieces, please refer to page 82 for details

Optional Tower Bolt

Socket PCXGN012-15A	Linking Rod PLJGN012-23B
	

Optional Tower Bolt

Socket PCXGNY012-15A	Linking Pod PLJGN012-23B	Spanner PYBS001
		

Optional Mid Pivot Hinge

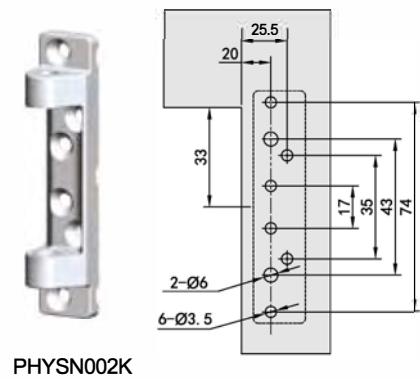
Concealed Mid Lock PYZS0059


Configuration Instruction

1. Above configuration is applicable to "9" series PVC profile, Besides there is "13" series configuration.
2. Items in green are optional.
3. This configuration is applicable to (including the selective items) sash with height ranged from 600mm to 2200mm and width ranged from 400mm to 1000mm. But not all of the selective items in suitable range can fit for it with different window proportion. The recommended proportion is Width: Height=1:1.5
4. The maximum load bearing capacity of this configuration is 90kg, the load bearing capacity depends on the pivot hinge, please refer to pivot hinge series:
The sash weight (including the weight of glass, sash profile and other accessories) X1.4 (Safety coefficient) ≤ The maximum load bearing capacity of the pivot hinge.
5. The above is only for reference. Please consult our technical department for specific requirement.

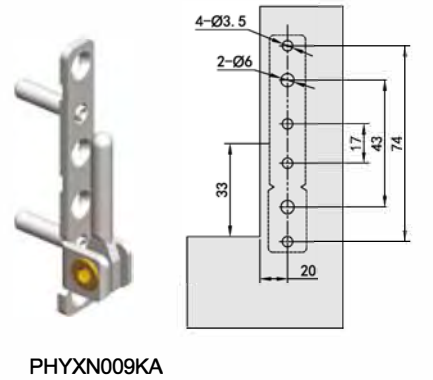
Installation instruction of open-in side-Hung Window system

upper pivot hinge installation instruction



PHYSN002K

bottom pivot hinge installation instruction

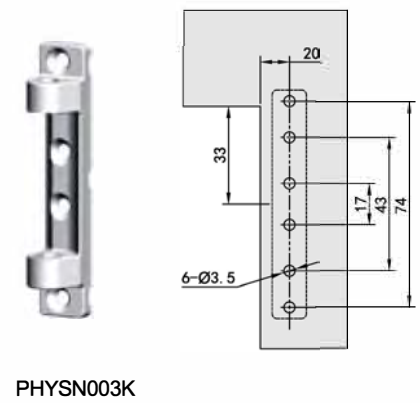


PHYXN009KA

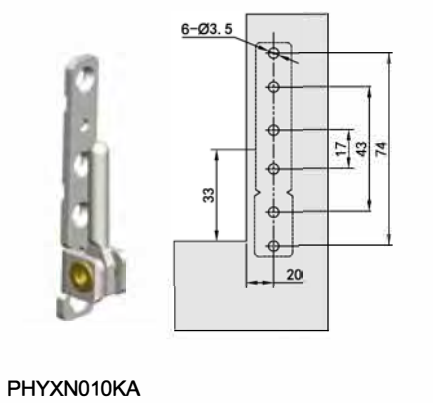
Drilling tool-Duplicator



PKMQ09/II



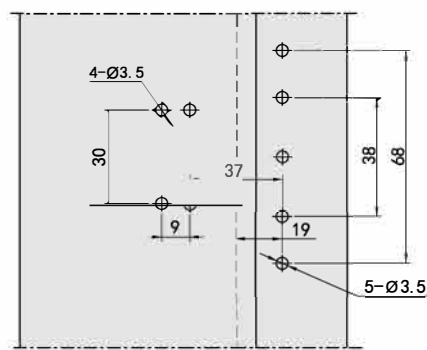
PHYSN003K



PHYXN010KA



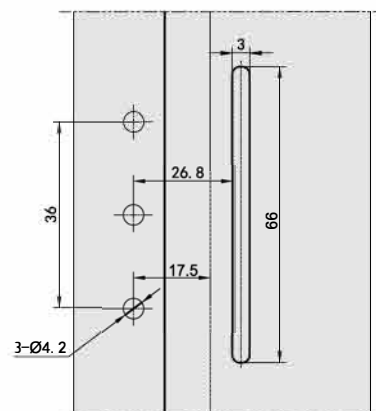
PKMQ09/I



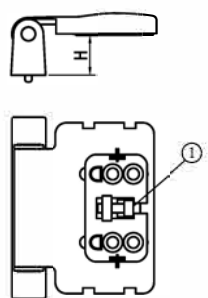
PHY006/PHY008 installation hole



duplicator PKMQ005

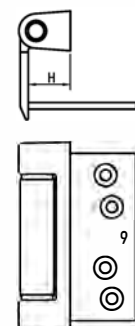


PHY0139/13 installation hole



Application
open-in window.
H size has 15mm and 17.5mm, special profile can use gasket which thickness is 1mm

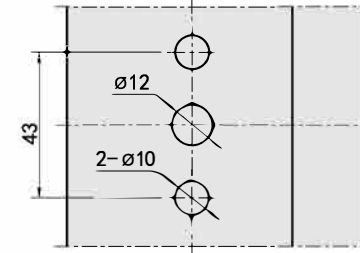
Adjustment
using 4mm Allen Key. horizontal level can be adjusted in ± 3



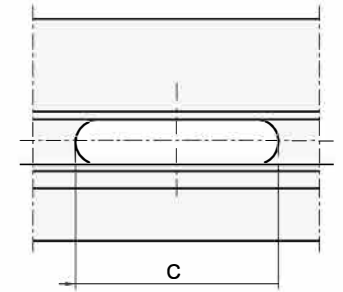
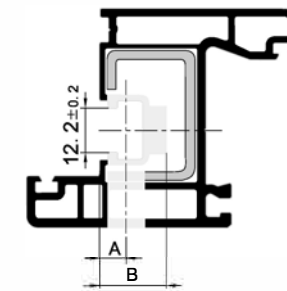
Application
open-in window with 9 series profile and 13 series profile.

H size is 16mm, special profile can use gasket which thickness is 1mm and 2.5mm

Drilling size of Handle & Transmitter



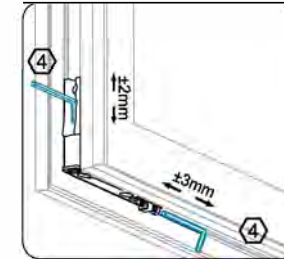
A	7.5	15
B	≥ 21	≥ 28
C	≥ 70	≥ 70



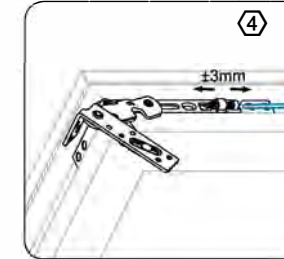
Application
please refer to transmitter series in this catalog to select the correct size

adjustment
Using 4# Allen key
Locking point of Transmitter is ± 1.5 mm adjustable

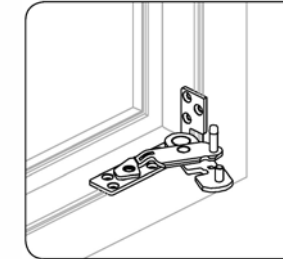
concealed hinge installation instruction



Install a part of bottom hinge on sash



Install a part of upper hinge on sash

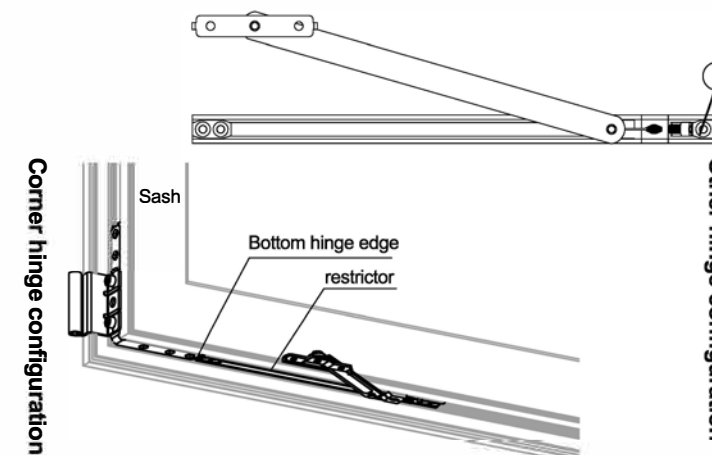


Install a part of bottom hinge on frame



Install a part of upper hinge on frame

key point of installation of PFC0400 series casement restrictor



adjustment
Using 4# Allen key
1. adjust the screw to loosen the tightness of sliding block to adjust wind pressure resistance and window position

Limiting stopper selection requirement			
Product code	length	open angle	Installation place
PFC040008	203	45	close to the edge of bottom pivot hinge to install
PFC040010	254	65	
PFC040012	305	87	
PFC040014	356	90	25mm from edge of bottom pivot hinge to install
PFC040016	356	90	

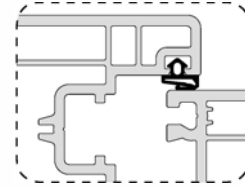
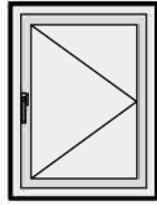
Remark: When install the limiting stopper, please confirm the open angle as well as the width of groove.

Limiting stopper selection requirement			
Product code	length	open angle	Installation place
PFC040008	203	90	A=15
PFC040010	254		A=55
PFC040012	305		A=80
PFC040014	356		A=115
PFC040016	356		A=150

Remark: When install the limiting stopper, please confirm the open angle as well as the width of groove.

5-1 SCPW100 Series Open-out Side-Hung Window Hardware System

Hardware Configuration for SCPW100 Series



Number	Product Name	Code	Quantity	Remark
01	Handle	PZSW005/I	1	
02	Transmitter	PCDQWD02008	1	Depends on window system
03	Friction Stay	Refer to Pegstay Series	2	Depends on window system
04	Lifting Block	PTSK00102	1	
05	Locking Plate	PSK00109	2	Depends on the quantity of locking points

Optional Handle

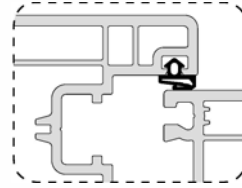
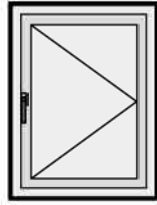


Configuration Instruction

- The load bearing capacity depends on the friction stay, please refer to friction stay series:
The sash weight(including the weight of glass, sash profile and other accessories) $\times 1.4$ (Safety coefficient) \leq The maximum load bearing capacity of the friction stay.
- To better improve the security, Security lock point can be installed.
- The above is only for reference. Please consult our technical department for sepecific requierment.

5-2 SCPW200 Series Open-out Side-Hung Window Hardware System

Hardware Configuration for SCPW200 Series



Number	Product Name	Code	Quantity	Remark
01	Handle	PZSW006	1	Optional, Please indicate the color while placing order
02	Transmitter	PCDQWD02508	1	Depends on window system
03	Friction Stay	Refer to Pegstay Series	2	Depends on window system
04	Lifting Block	PTSK00102	1	
05	Locking Plate	PSK00109	2	Depends on the quantity of locking points

Optional Handle

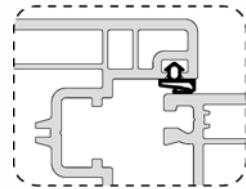
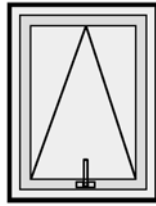


Configuration Instruction

- The load bearing capacity depends on the friction stay, please refer to friction stay series:
The sash weight(including the weight of glass, sash profile and other accessories) \times 1.4(Safety coefficient) \leq The maximum load bearing capacity of the friction stay.
- To better improve the security, Security lock point can be installed.
- The above is only for reference. Please consult our technical department for sepecific requierment.

6-1 SCSW100 Series Open-out, Top-Hung Window Hardware System

Hardware Configuration for SCSW100 Series



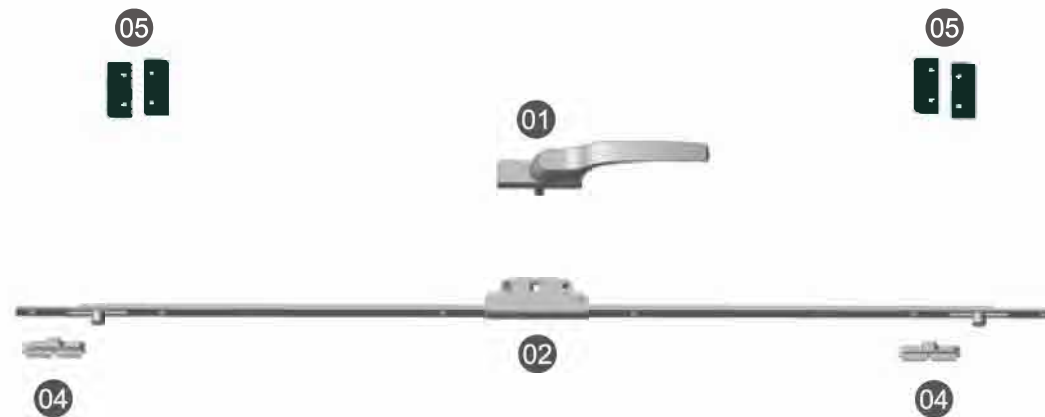
Number	Product Name	Code	Quantity	Remark
01	Handle	PZSW005/I	1	
02	Transmitter	PCDQWD02008	1	Depends on window system
03	Friction Stay	Refer to Pegstay Series	2	Depends on window system
04	Locking Plate	PSK00109	2	Depends on the quantity of locking points
05	Anti-drop Piece	1630FJS-16	4	

Optional Handle

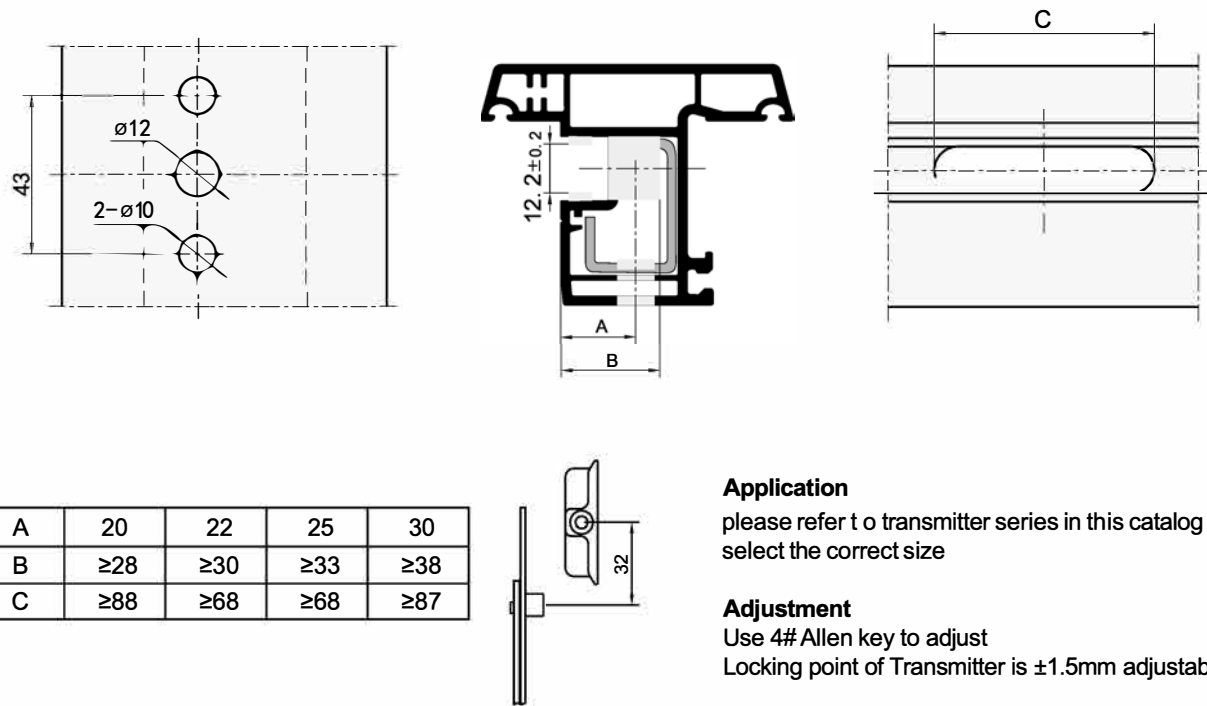


Configuration Instruction

- The load bearing capacity depends on the friction stay, please refer to friction stay series:
The sash weight(including the weight of glass, sash profile and other accessories) $\times 1.4$ (Safety coefficient) \leq The maximum load bearing capacity of the friction stay.
- To better improve the security, Security lock point can be installed.
- The above is only for reference. Please consult our technical department for sepecific requierement.



Installation instruction of Open-out side-Hung Window System



Application
please refer to transmitter series in this catalog to select the correct size

Adjustment
Use 4# Allen key to adjust
Locking point of Transmitter is ±1.5mm adjustable

Selection of the ST Screw

1. Selecting the stainless steel ST4.2 self-tapping screws. They are countersunk screws and pan head screws.
2. Selecting the screw according to the actual situation, the counterhole must work with countersunk screw, other holes must work with pan head screw, so that the firmness and reliability of installation can be guaranteed. (Refer to the above photo)



Countersunk Screw



pan head Screw

Selection of the Friction Stay

1. Safety Loading Capacity Formula of Friction Stay:
Safety Loading Capacity=Total Weight (Glass+Sash Part of Aluminium Profile)*Safety Factor 1.4 ≤ Max. Window Weight [Please refer to the technical parameters.]
2. On professional request, selecting the specific friction stay is according to different window types. For example, HC400A Series is used especially for Side-hung window series; FJ600A for top-hung window series, meanwhile the friction stays for top-hung window series are recommended to use together with pegstay.
3. Generally, for the Side-hung Window Series, the length of friction stay should be no less than the 2/3 of the width of the window. If the window is light, then it can be 1/2.
When choosing the friction stay for Top-hung window series, its length is normally the 1/2 of the height of the window.
4. The friction stay should be used in pairs (Left and right for each window).
5. Suggested proportion of the casement is Height: Width=1.5 : 1 .



In order to keep the best working state and extend the working life, please make the maintenance periodically.

Cleaning

Please keep the surface clean.
Strong corrosive solvents is never allowed.

Lubrication

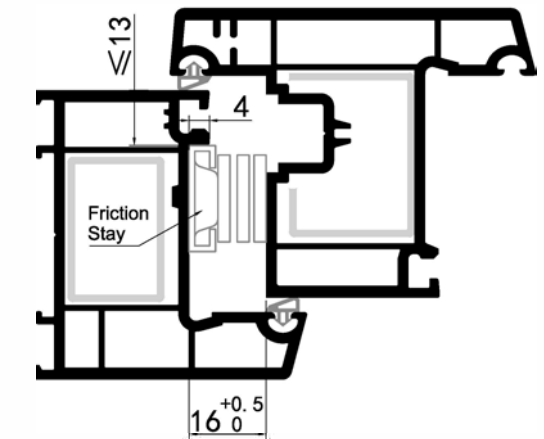
All the movable and mechanical friction parts of the friction stay should be lubricated with the lubrication oil or other lubricant.

Bolt Fixing

Please check and fasten the loose bolts periodically.

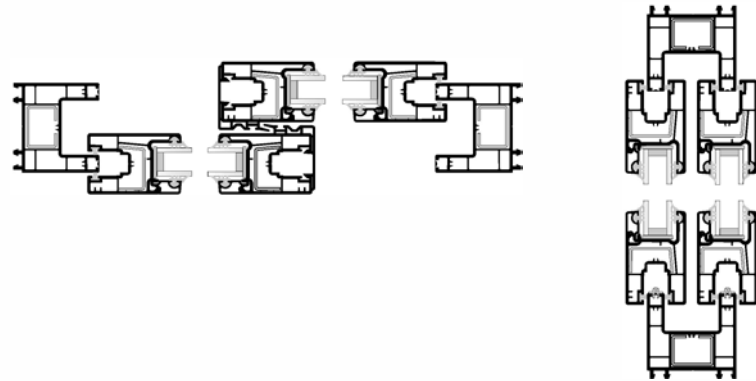
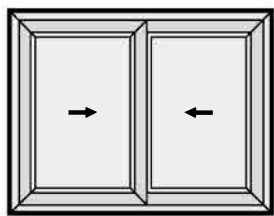
Adjusting

If the window could not work smoothly, or the sealing effect is not good, etc. please kindly consult our engineers before taking the related steps.



7-1 SCTL100 Series Sliding Window Hardware System

Hardware Configuration for SCTL100 Series



04



06



04



02



01



04



03



03



03



03



05



04



Number	Product Name	Code	Quantity	Remark
01	Crescent Lock	PYSR001	1	Optional, Please indicate the color while placing order
02	Locking Hook	PSG004	1	
03	88 Single Roller	PDHRC001	4	Optional
04	Anti-strike Block	PFZK00102	4	
05	Anti-strike Block	PFZK003	1	
06	Anti-theft Piece	PFDK001	1	

Optional Roller

1670 Roller
PSHRC001

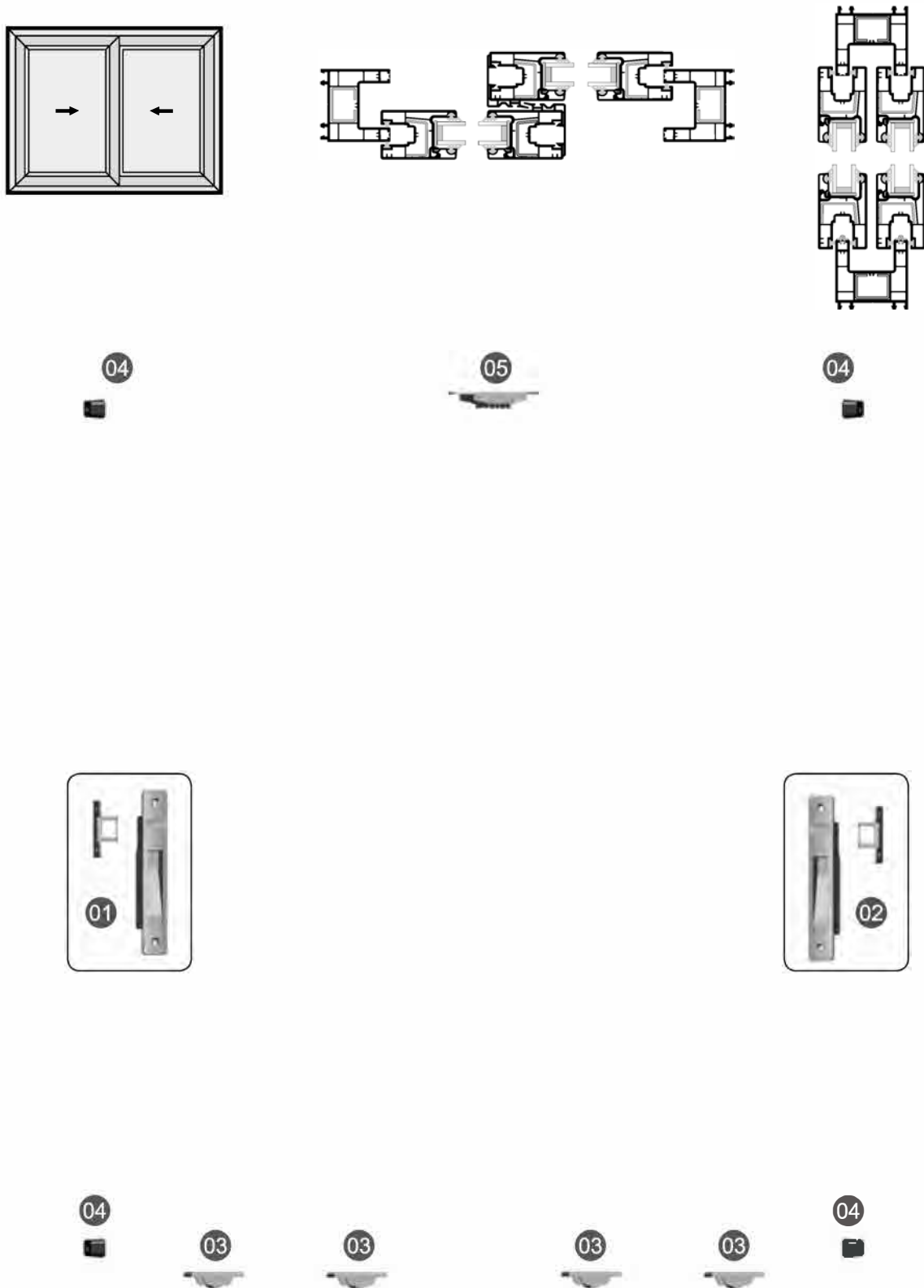


Configuration Instruction

- The maximum load bearing capacity of this configuration is 40kg, the load bearing capacity depends on the roller, please refer to roller series:
The sash weight(including the weight of glass, sash profile and other accessories) $\times 1.4$ (Safety coefficient) \leq The maximum load bearing capacity of the roller
- The above is only for reference. Please consult our technical department for sepecific requierment.

7-2 SCTL200 Series Sliding Window Hardware System

Hardware Configuration for SCTL200 Series



Number	Product Name	Code	Quantity	Remark
01	Automatic Sliding Lock	PZDSL002	1	Optional (Including PSG001 Lock Hook) Please indicate the color while placing order
		PZDSR002	1	
02	88 Single Roller	PDHRC001	4	Optional
03	Anti-strike Block	PFZK00102	4	
04	Anti-theft Piece	PFDK001	1	

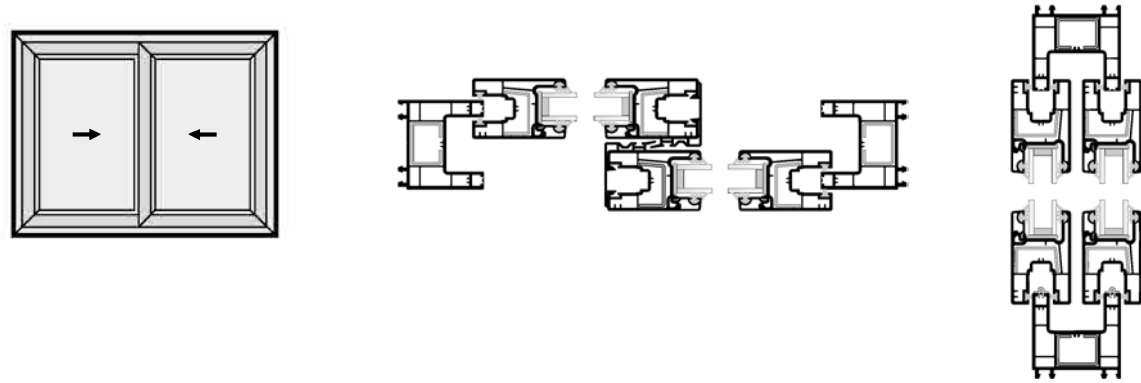
Optional Roller



Configuration Instruction

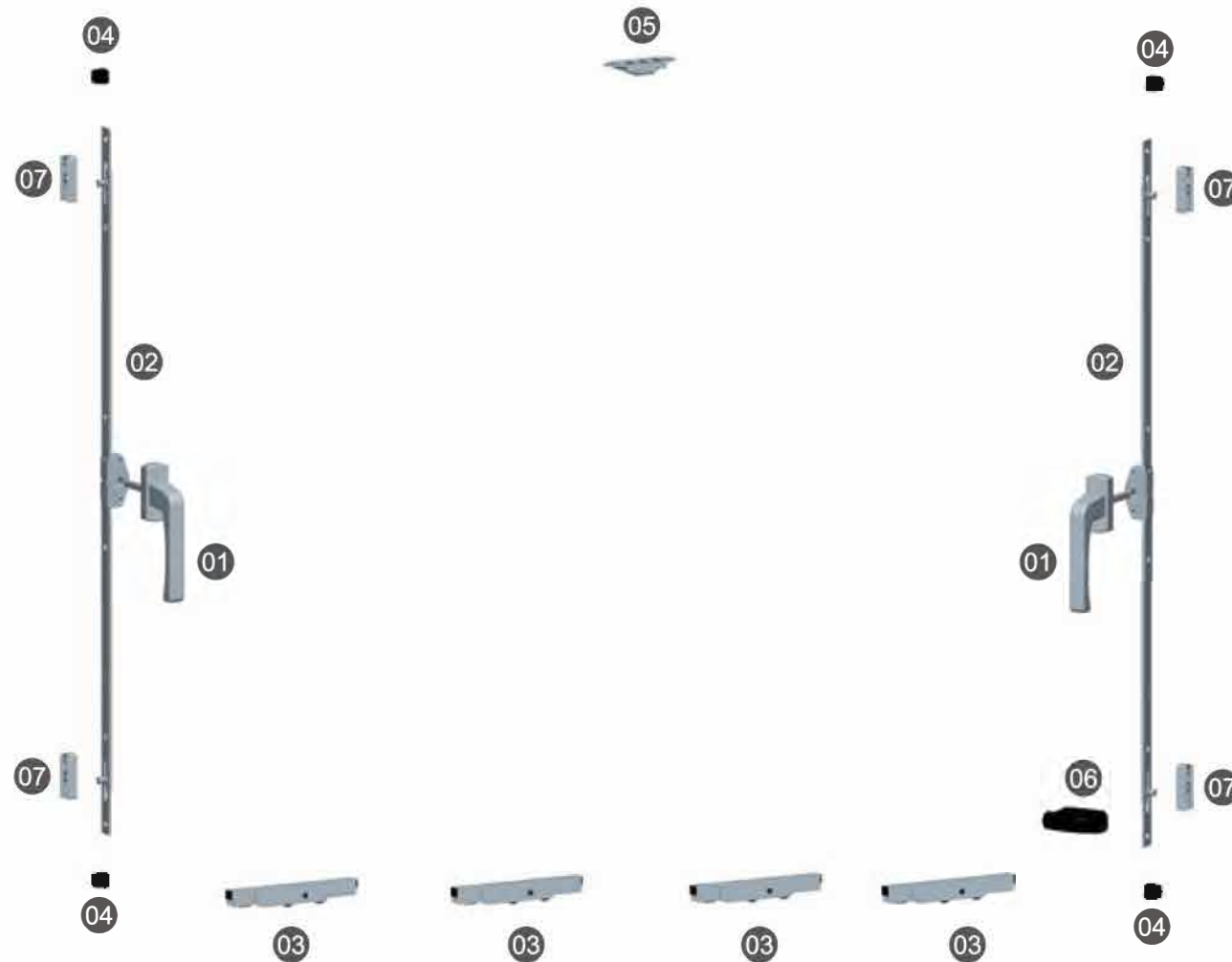
- The maximum load bearing capacity of this configuration is 40kg, the load bearing capacity depends on the roller, please refer to roller series:
The sash weight(including the weight of glass, sash profile and other accessories) $\times 1.4$ (Safety coefficient) \leq The maximum load bearing capacity of the roller
- The above is only for reference. Please consult our technical department for sepecific requiriement.

8-1 SMTL100 Series Sliding Door Hardware System



Hardware Configuration for SMTL100 Series

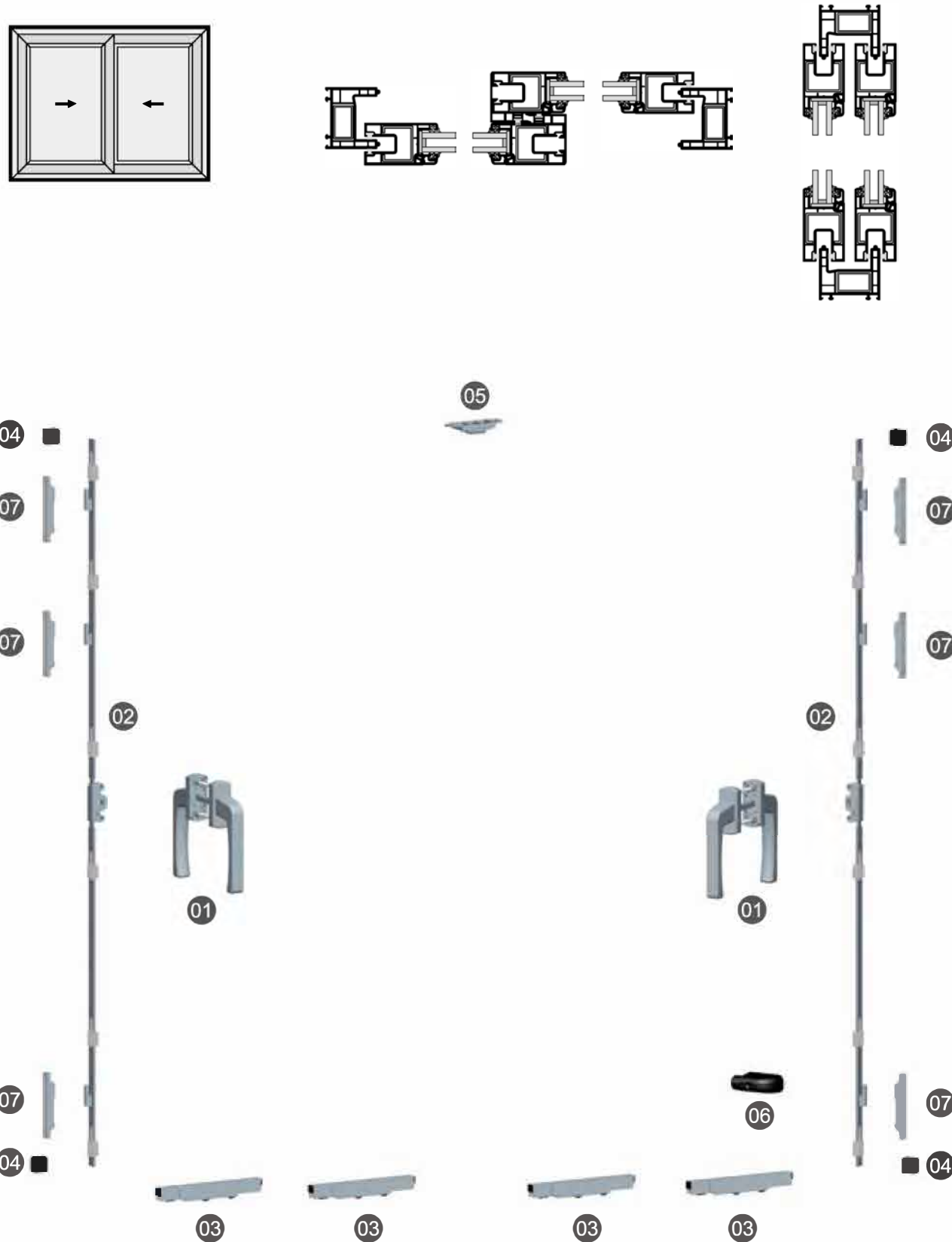
Number	Product Name	Code	Quantity	Remark
01	Handle	PZSN001	2	Optional, Please indicate the color while placing order
02	Transmitter	PCDQT41508	2	Depends on window system
03	12 Adjustable Double Roller	PTHRC002	4	
04	Anti-strike Block	PFZK00102	4	
05	Anti-theft Piece	PFDK001	1	
06	Anti-strike Block	FK-D	1	
07	Locking Plate	PSK003A	4	Depends on the quantity of locking points



Configuration Instruction

- The maximum load bearing capacity of this configuration is 90kg, the load bearing capacity depends on the roller, please refer to roller series:
The sash weight(including the weight of glass, sash profile and other accessories) \times 1.4(Safety coefficient) \leq The maximum load bearing capacity of the roller
- The above is only for reference. Please consult our technical department for sepecific requiemnt.




8-2 SMTL200 Series Sliding Door Hardware System



Hardware Configuration for SMTL200 Series

Number	Product Name	Code	Quantity	Remark
01	Handle	PMZS007	2	Optional, Please indicate the color while placing order
02	Transmitter	PCDQ01214/I	2	Depends on window system
03	15 Adjustable Double Roller	PTHRC001	4	
04	Anti-strike Block	PFZK002	4	
05	Anti-theft Piece	PFDK001	1	
06	Anti-strike Block	FK-D	1	
07	Locking Plate	PSK006	4	Depends on the quantity of locking points

Exterior Handle / Plate are optional for out-door side

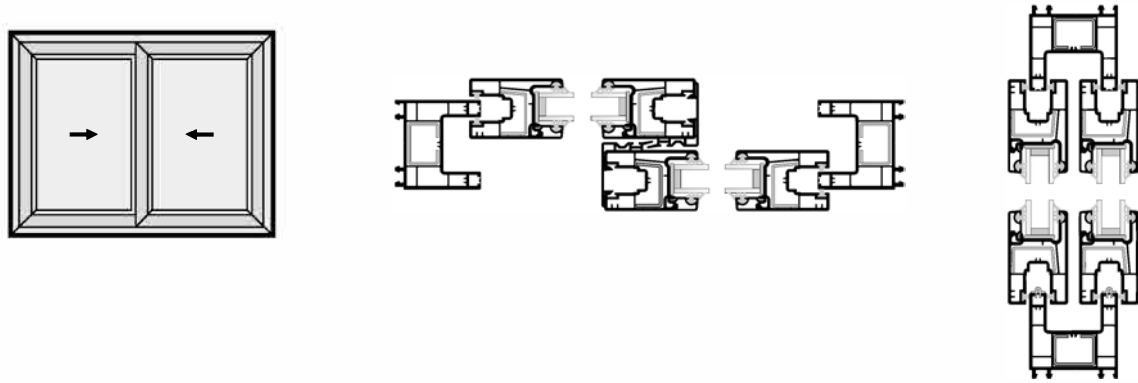
Exterior Handle PMZS011-01	Plate PMB101	Sliding door handle PMLS01
		

Configuration Instruction

- The maximum load bearing capacity of this configuration is 90kg, the load bearing capacity depends on the roller, please refer to roller series:
The sash weight(including the weight of glass, sash profile and other accessories) \times 1.4(Safety coefficient) \leq The maximum load bearing capacity of the roller
- The above is only for reference. Please consult our technical department for sepecific requierment.

8-3 SMTL300 Series Sliding Door Hardware System

Hardware Configuration for SMTL300 Series

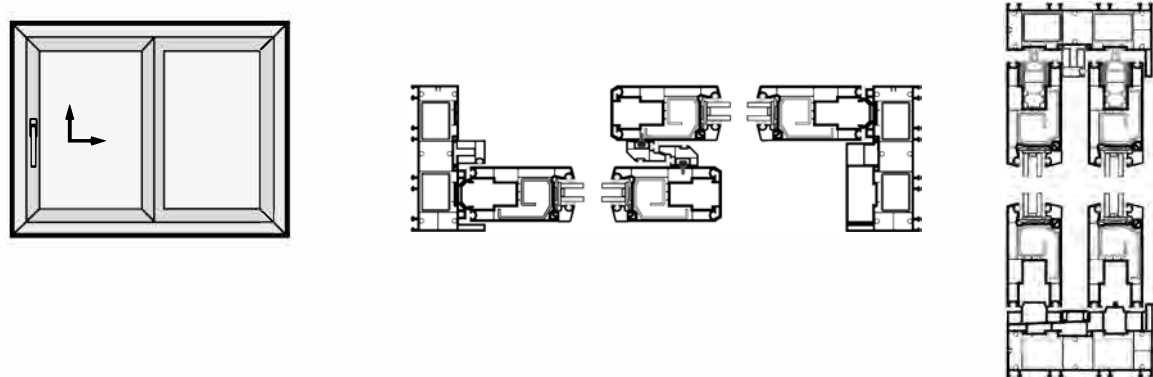


Number	Product Name	Code	Quantity	Remark
01	Manual Sliding Lock	PSDSS004	2	Optional, Please indicate the color while placing order, Excluding locking Hook
02	Locking Plate	PSK008	2	Depends on the quantity of locking points
03	12 Adjustable Double Roller	PTHRC002	4	
04	Anti-strike Block	PFZK00102	4	
05	Anti-theft Piece	PFDK001	1	
06	Locking Hook	PZDS0019-02/ PZDS0019-02A	2	Depends on profile

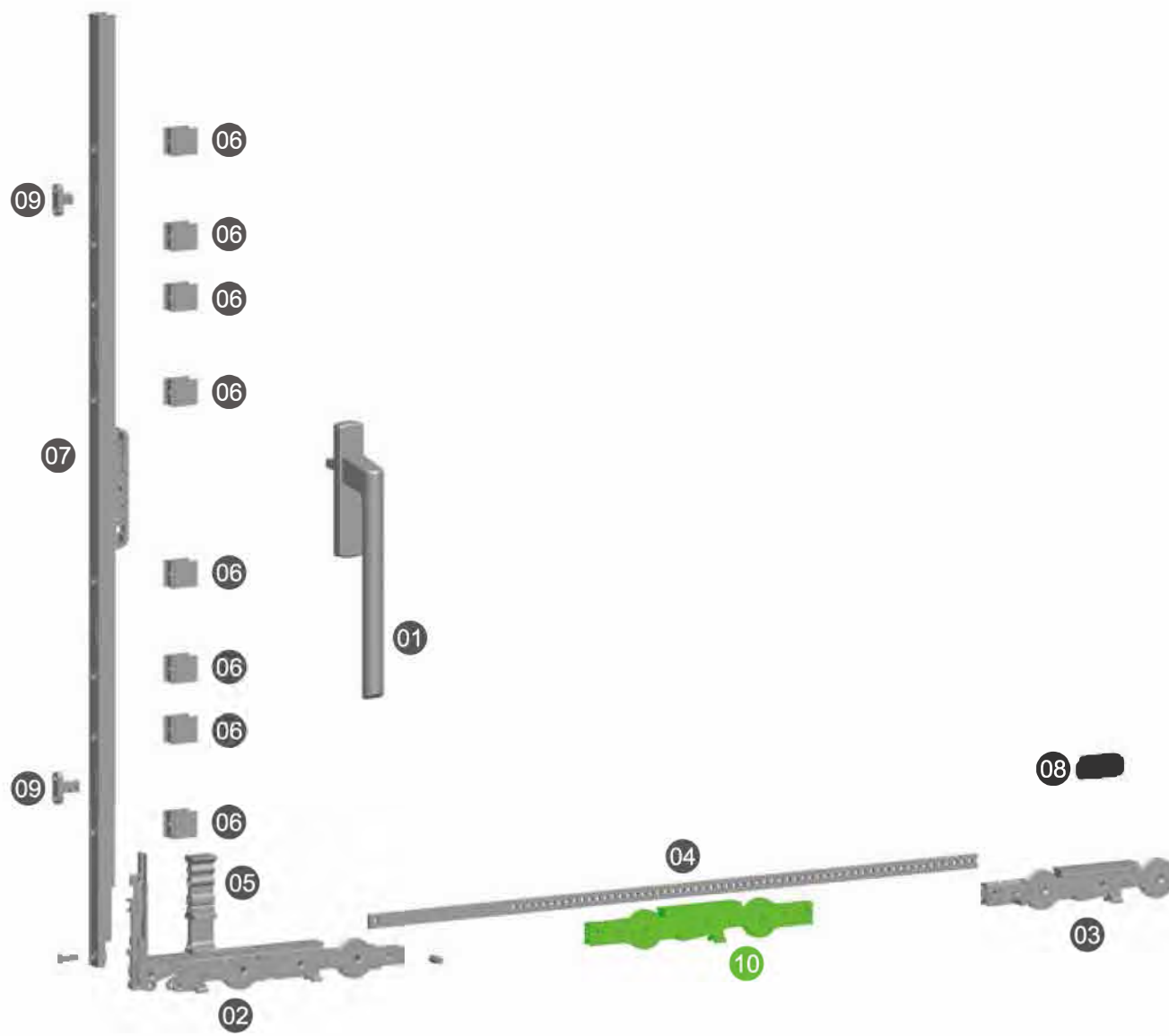
Configuration Instruction

- The maximum load bearing capacity of this configuration is 90kg, the load bearing capacity depends on the roller, please refer to roller series:
The sash weight(including the weight of glass, sash profile and other accessories) \times 1.4(Safety coefficient) \leq The maximum load bearing capacity of the roller
- The above is only for reference. Please consult our technical department for sepecific requiriement.

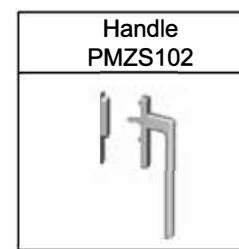




Number	Product Name	Code	Quantity	Remark
01	Handle	PMZS100	1	Optional, Please indicate the color while placing order
02	Front Roller	H50	1	Depends on window system
03	Back Roller	H52	1	
04	Connect Rod	H52-10	1	
05	Supporting Socket	CDG2370-06	1	
06	Supporting Block	CDG2370-05	8	
07	Transmitter	CDG2370	1	
08	Anti-strike Block	FK-D	1	
09	Locking Plate	SK51	2	
10	Middle Roller	H51	1	



Optional Handle



Optional Handle

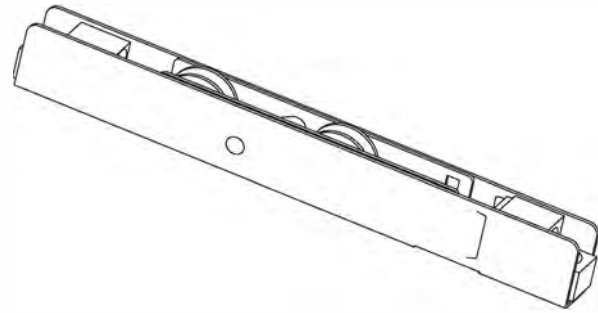


Configuration Instruction

- Items in green are optional.
- Perfect combination of hardware, gasket and profile to ensure the performance of air tightness, anti-dust and sound insulation.
- Slide smoothly, Operate easily.
- Perfect anti-theft function by using anti-theft piece even if in micro-ventilation position.
- The maximum load bearing capacity of this configuration is 300kg, and the load bearing capacity depends on the roller, please refer to roller series:
The sash weight(including the weight of glass, sash profile and other accessories)X1.4(Safety coefficient)≤The maximum load bearing capacity of the roller
- This series can be used widely,such as sunshine-room,balcony,partition door etc.
- The above is only for reference. Please consult our technical department for sepecific requiriement.

Installation instruction of Sliding Door & Window

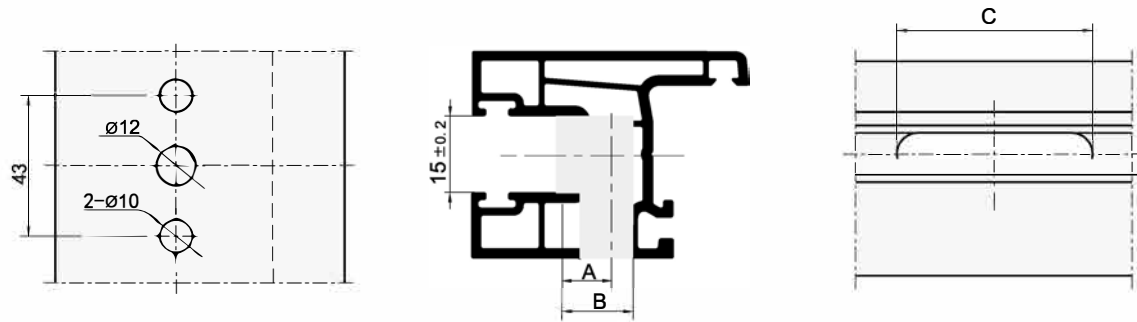
Height adjustment of roller



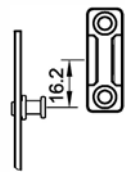
Roller Adjustment		
Product code	Adjusting tools	Adjusting height
PTHRP001	4#Allen Key	21-26
PTHRC001	4#Allen Key	20-25
PTHRP002	4#Allen Key	21-26
PTHRC002	4#Allen Key	20-25
PTHRC003	cross screwdriver	13-14.5

Remark: Don't adjust the height to maximum or minimum when install the roller. Using spanner to adjust several degree back if roller height is maximum or minimum to make the roller take the load uniformly.

Drilling size of Handle & transmitter



A	12	20
B	≥20	≥28.5
C	≥67	≥67



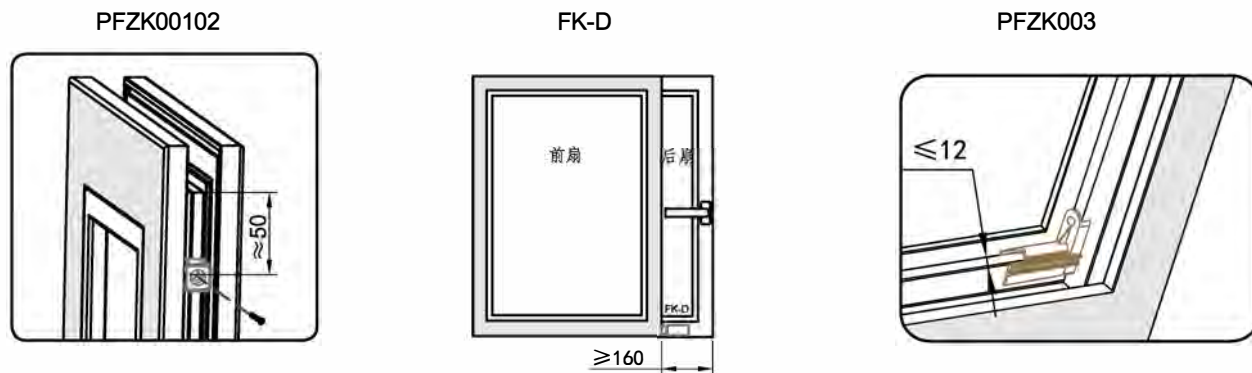
Application

refer to transmitter series in this catalog to select correct transmitter

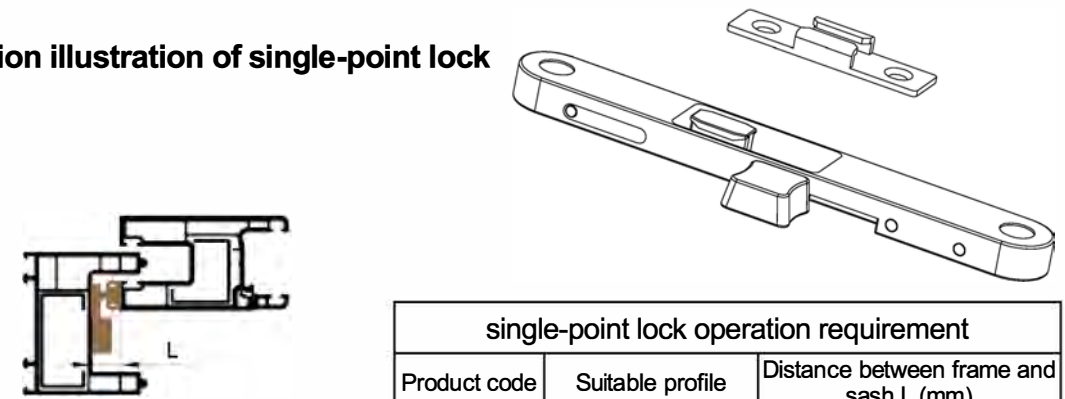
Adjustment

use 4#Allen Key to adjust the tightness of locking point of transmitter ±0.5mm

Installation illustration of anti-strike block

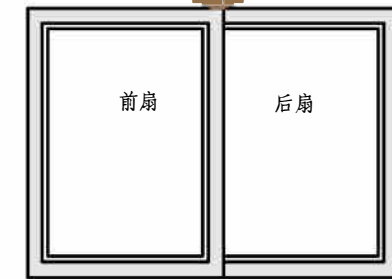
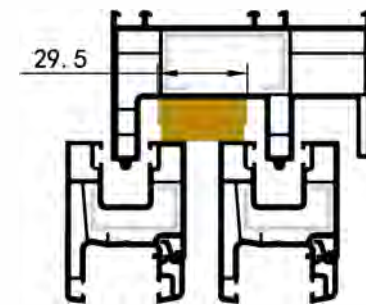


Installation illustration of single-point lock



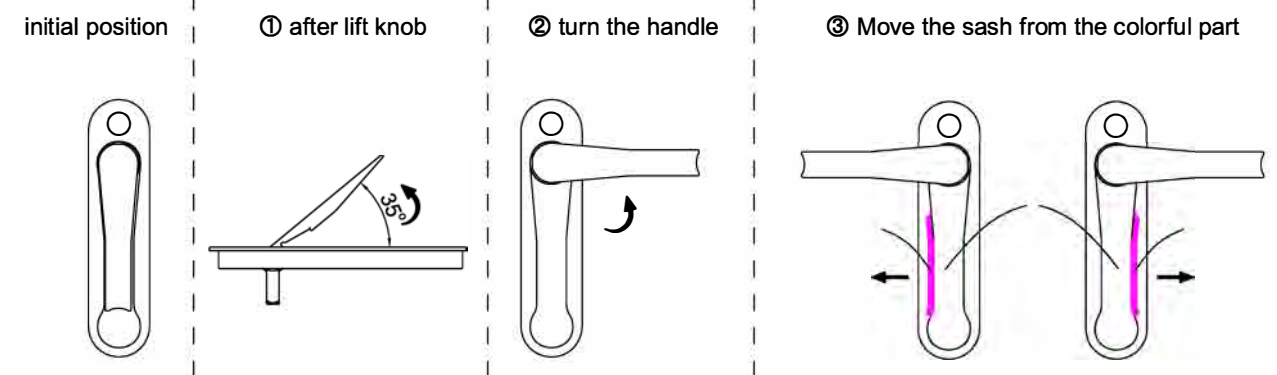
single-point lock operation requirement		
Product code	Suitable profile	Distance between frame and sash L (mm)
PDDS01	Window	18
PDDS02	Door	12
PDDS03	Window	14

Installation illustration of Anti-theft piece



try to install the anti-theft piece PFDK001 in the center of two tracks.

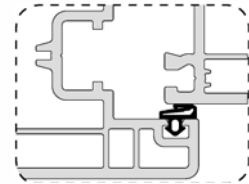
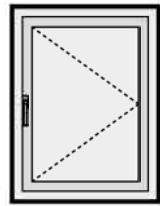
installation instruction of Pop-up Handle



Remark: don't use the knob to slide, which will break it. put the knob back after use

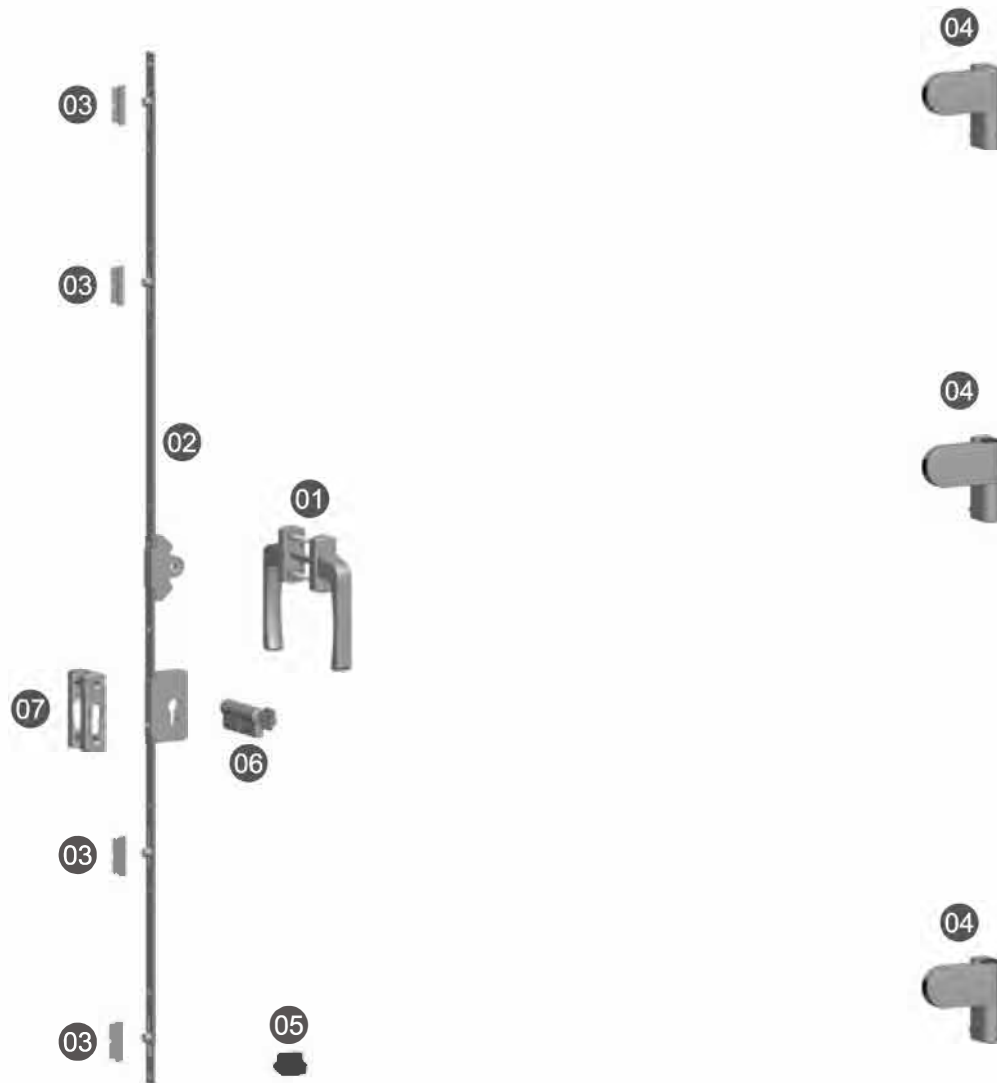
10-1 SMP100 Series Side-Hung Door Hardware System

Hardware Configuration for SMP100 Series



Number	Product Name	Code	Quantity	Remark
01	Handle	PMZS001	1	Optional, Please indicate the color while placing order
02	Transmitter	PMCDQSS03018	1	Depends on door system
03	Locking Plate	PSK00113A	4	Depends on the quantity of locking points
04	Pivot Hinge	PMHY00180	3	Optional, Please indicate the color while placing order
05	Lifting Block	PTSK00102	1	
06	Cylinder	PSXAB	1	Optional
07	Cover Plate	PMMB001	1	Please indicate the color while placing order

Optional Handle

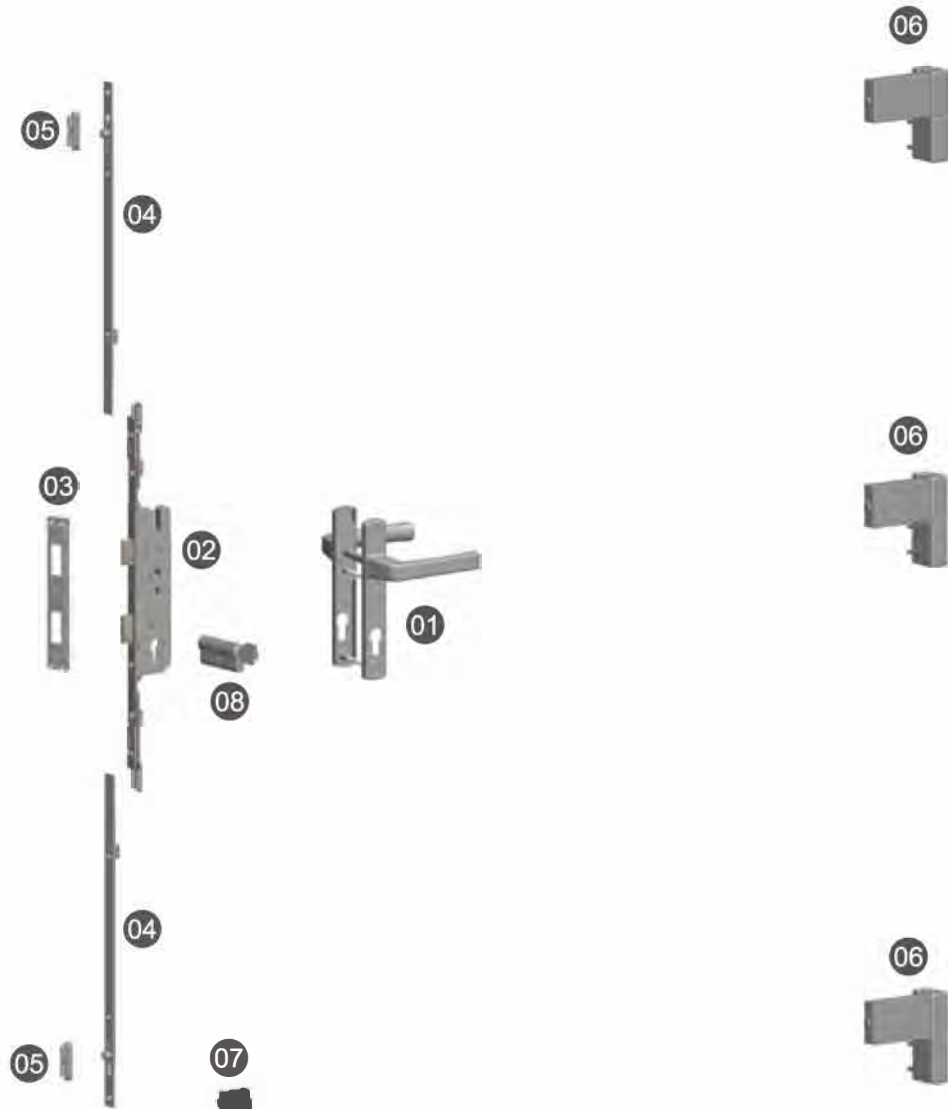
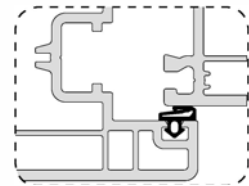
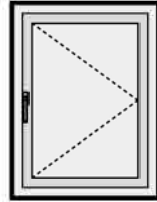


Configuration Instruction

- The maximum load bearing capacity of this configuration is 80kg, the load bearing capacity depends on the pivot hinge, please refer to pivot hinge series:
The sash weight(including the weight of glass, sash profile and other accessories) $\times 1.4$ (Safety coefficient) \leq The maximum load bearing capacity of the pivot hinge.
 - To better improve the security, Security lock point can be installed.
 - The above is only for reference. Please consult our technical department for sepecific requiriement.
- Note: (1)Handle quadrate-tongue Length $L = \text{Sash Thickness} \delta + 30(40)\text{mm}$;
(2)M5 Fixing Screw Length $L = \text{Sash Thickness} \delta + 15\text{mm}$;

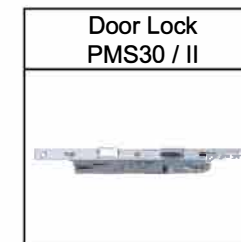
10-2 SMP200 Series Side-Hung Door Hardware System

Hardware Configuration for SMP200 Series



Number	Product Name	Code	Quantity	Remark
01	Handle	PMZS010	1	Optional, Please indicate the color while placing order
02	Door Lock	PMS30/IA	1	Optional
03	Cover Plate	PKMB002	1	
04	Side Transmission Rod	PBCDG006	2	Depends on door system
05	Locking Plate	PSK00113A	2	Depends on the quantity of locking points
06	Pivot Hinge	PMHY003150	3	Optional, Please indicate the color while placing order
07	Lifting Block	PTSK00102	1	
08	Cylinder	PSXAB	1	Optional

Optional Door Lock



Optional Pivot Hinge



Configuration Instruction

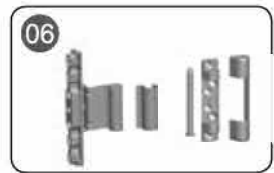
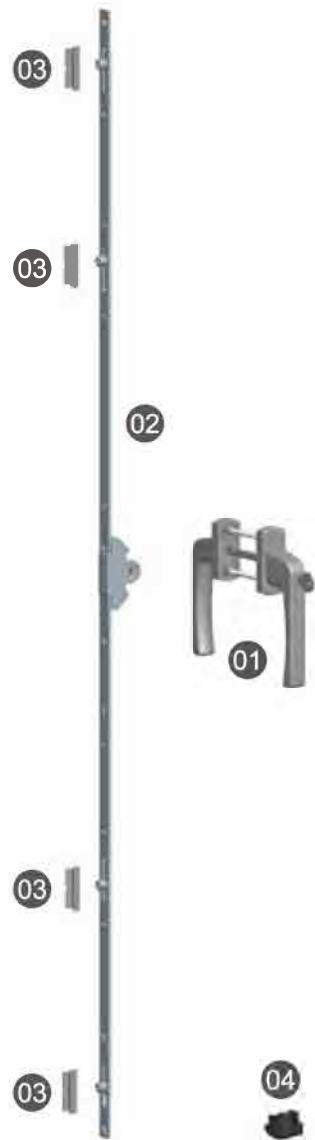
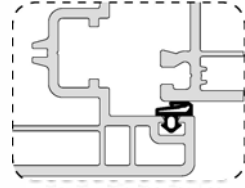
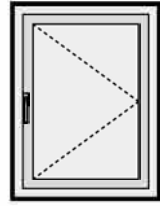
- The maximum load bearing capacity of this configuration is 150kg, the load bearing capacity depends on the pivot hinge, please refer to pivot hinge series:
The sash weight(including the weight of glass, sash profile and other accessories) $\times 1.4$ (Safety coefficient) \leq The maximum load bearing capacity of the pivot hinge.
- To better improve the security, Security lock point can be installed.
- The above is only for reference. Please consult our technical department for sepecific requiriement.

Note: (1)Handle quadrate-tongue Length $L = \text{Sash Thickness} \delta + 30(40)\text{mm}$;

(2)M5 Fixing Screw Length $L = \text{Sash Thickness} \delta + 15\text{mm}$;

10-3 SMP300 Series Side-Hung Door Hardware System

Hardware Configuration for SMP300 Series



Number	Product Name	Code	Quantity	Remark
01	Handle	PMZS009	1	Optional, Please indicate the color while placing order
02	Transmitter	PMCDQS03018	1	Depends on door system
03	Locking Plate	PSK00113A	4	Depends on the quantity of locking points
04	Lifting Block	PTSK00102	1	
05	Upper Pivot Hinge	PHYSNR00213	1	left&Right, Please indicate the color while placing order, standard hardware can be purchased by sets or pieces, please refer to page 82 for details
06	Mid Pivot Hinge	PHYZ00813	1	left&Right, Please indicate the color while placing order, standard hardware can be purchased by sets or pieces, please refer to page 82 for details
07	Bottom Pivot Hinge	PHYXNR00913	1	left&Right, Please indicate the color while placing order, standard hardware can be purchased by sets or pieces, please refer to page 83 for details

Optional Handle

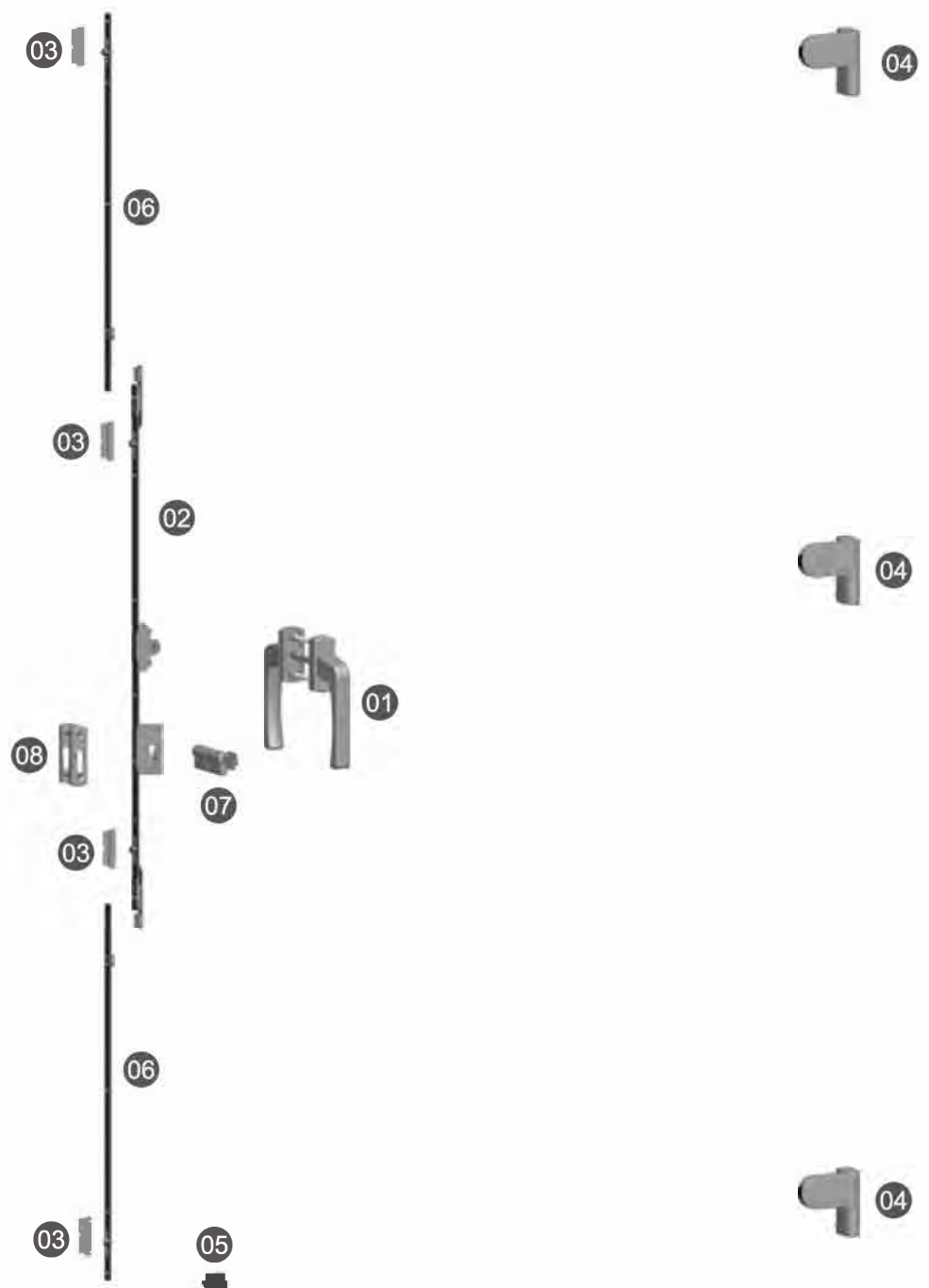
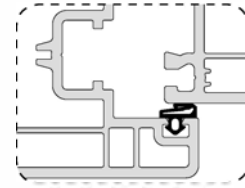
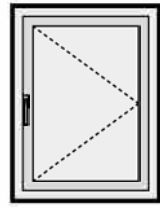


Configuration Instruction

- The maximum load bearing capacity of this configuration is 65kg, the load bearing capacity depends on the pivot hinge, please refer to pivot hinge series:
The sash weight(including the weight of glass, sash profile and other accessories) \times 1.4(Safety coefficient) \leq The maximum load bearing capacity of the pivot hinge.
 - To better improve the security, Security lock point can be installed.
 - The above is only for reference. Please consult our technical department for sepecific requierment.
- Note: (1)Handle quadrate-tongue Length $L = \text{Sash Thickness} \delta + 30(40)\text{mm}$;
(2)M5 Fixing Screw Length $L = \text{Sash Thickness} \delta + 15\text{mm}$;

10-4 SMP400 Series Side-Hung Door Hardware System

Hardware Configuration for SMP400



Number	Product Name	Code	Quantity	Remark
01	Handle	PMZS001	1	Optional, Please indicator the color while placing order
02	Transmitter	PMCDQSS23008	1	
03	Locking Plate	PSK00113A	4	Depends on the quantity of locking points
04	Pivot Hinge	PMHY00180	3	Optional, Please indicator the color while placing order
05	Lifting Block	PTSK00102	1	
06	Side Transmission Rod	PBCDG006	2	Depends on door system
07	Cylinder	PSXAB	1	Optional
08	Cover Plate	PMMB001	1	Please indicator the color while placing order

Optional Handle

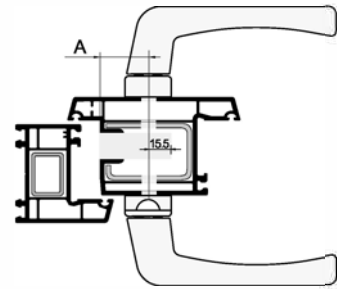


Configuration Instruction

- The maximum load bearing capacity of this configuration is 80kg, the load bearing capacity depends on the pivot hinge, please refer to pivot hinge series:
The sash weight(including the weight of glass, sash profile and other accessories) $\times 1.4$ (Safety coefficient) \leq The maximum load bearing capacity of the pivot hinge.
 - To better improve the security, Security lock point can be installed.
 - The above is only for reference. Please consult our technical department for sepecific requiriement.
- Note: (1)Handle quadrate-tongue Length $L = \text{Sash Thickness} \delta + 30(40)\text{mm}$;
(2)M5 Fixing Screw Length $L = \text{Sash Thickness} \delta + 15\text{mm}$;

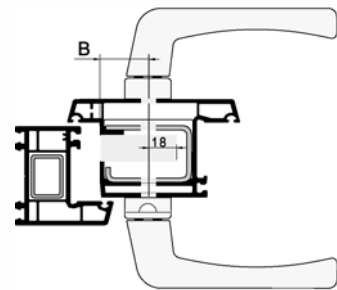
installation instruction of side-hung door hardware

drilling size of transmitter with key



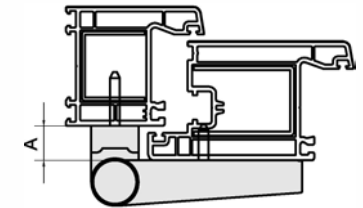
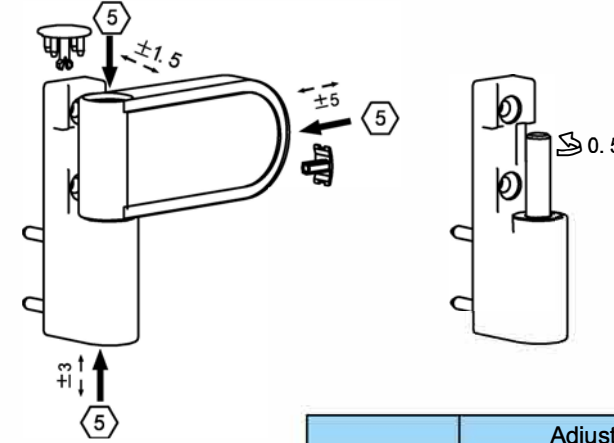
- Remarks:** A=25,30,35,40,45
 ♦ this drilling size also can be used for transmitter without key, just don't drill hole for lock cover

drilling size of door lock

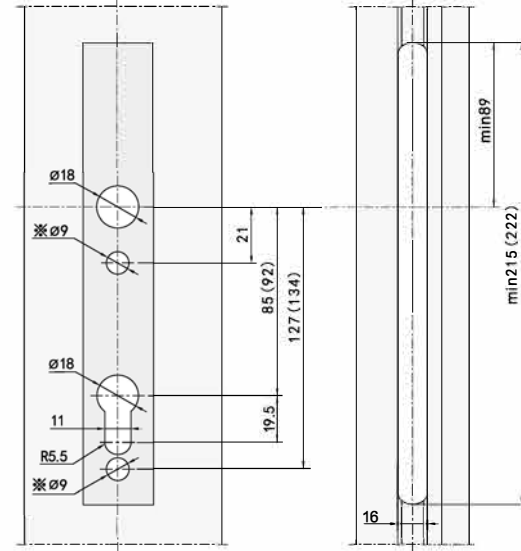
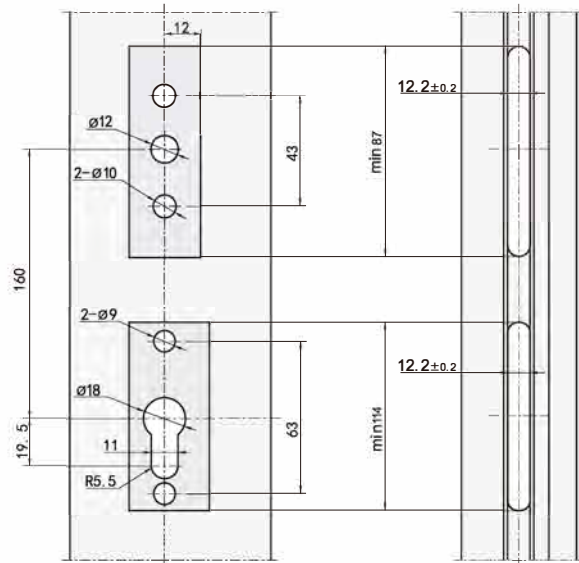


- Remarks:** B=30,35,50
 ♦ The size in bracket is for PMS9235/II
 ♦ If use Handle MZS208, the size marked with * is $\Phi 10$
 ♦ If use other Handles, the size marked with * is $\Phi 9$

drilling size of door hinge

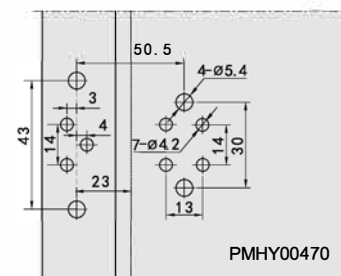
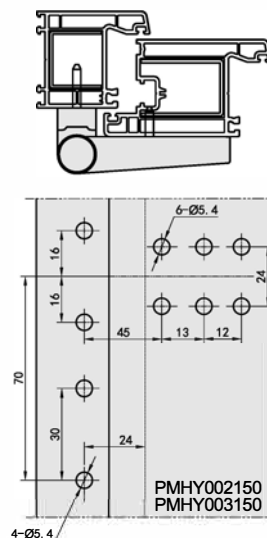
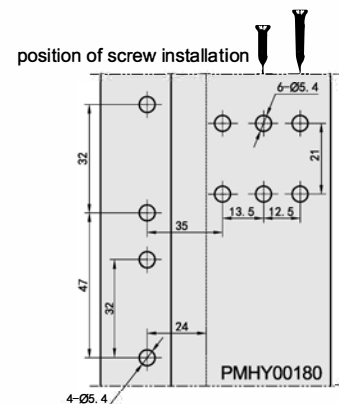


- Remarks**
 initial A is 17.5mm, the washer is optional if need

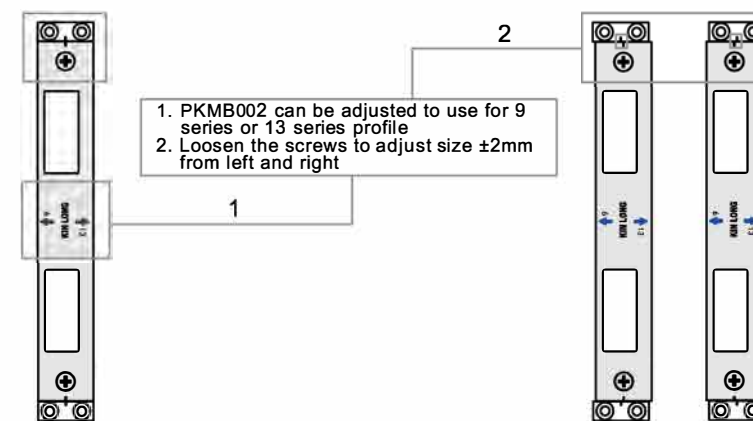


Code number	Adjustment (mm)			A	washer quantity ≤ 3	installation tool
	up & down	left & right	front & rear			
PMHY00180	±3	±5	+1/-2	15.5-18.5	PMHY00180-11A	PMKMQ04A
PMHY002150	±3	±5	+1/-2	15.5-18.5	PMHY002150-11	PMKMQ01
PMHY003150	±3	±5	+1/-2	15.5-18.5	PMHY002150-11	PMKMQ01
PMHY00470	--	+5.5/-3	--	17.5	PMHY00470-05	PMKMQ03

installation instruction of Hinge (overlap is 8mm)



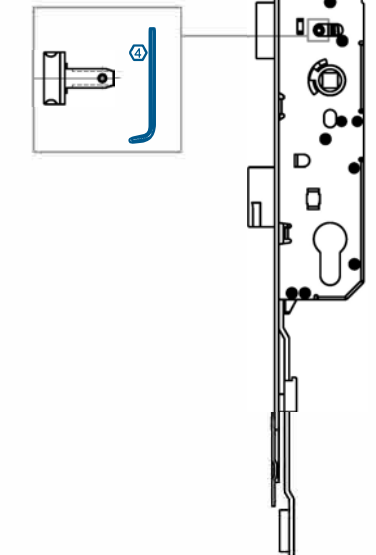
PKMB002 adjustment instruction



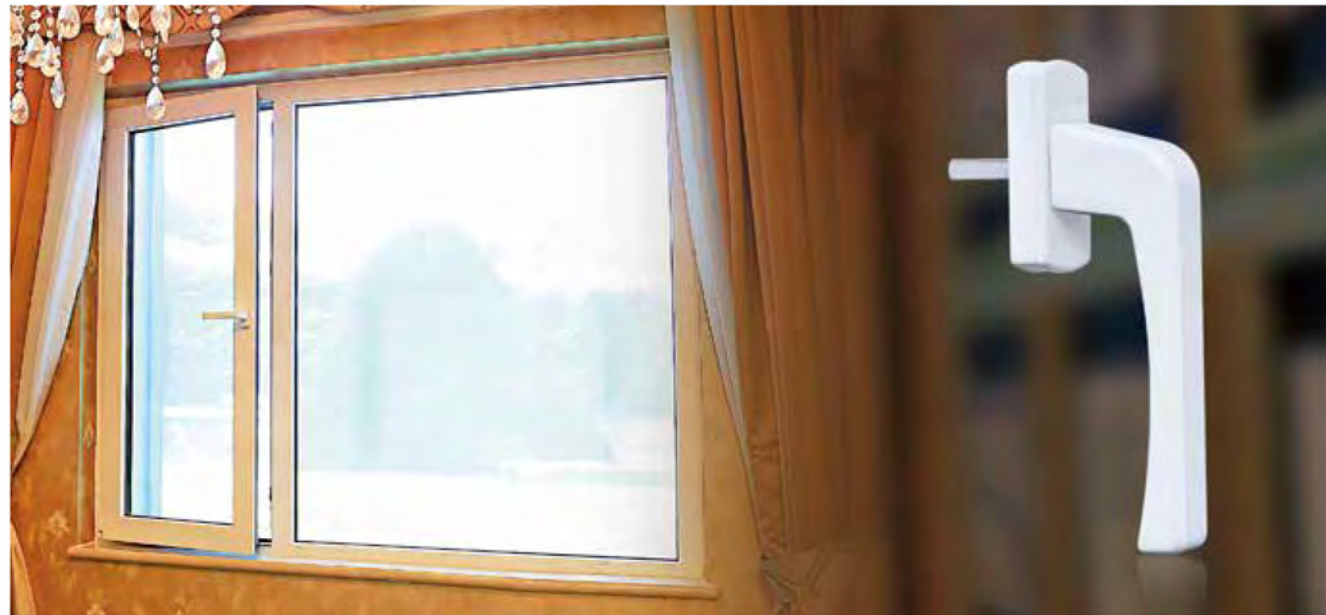
- PKMB002 can be adjusted to use for 9 series or 13 series profile
- Loosen the screws to adjust size ± 2 mm from left and right

adjustment instruction of door lock

change the bevel tongue left and right direction



Handle Series




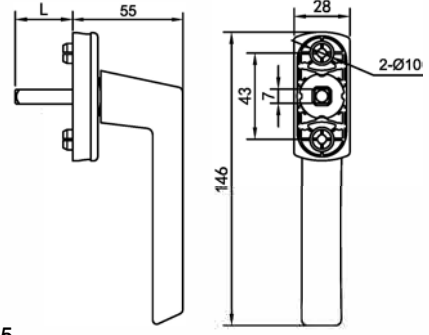

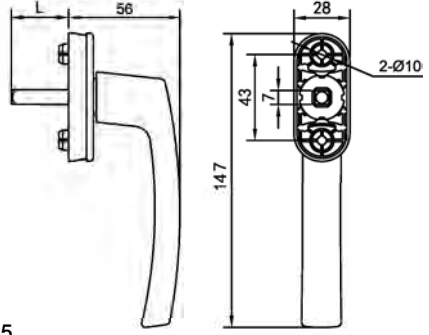

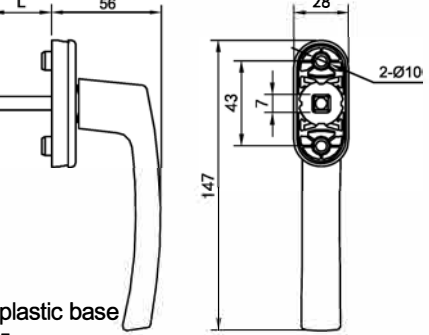

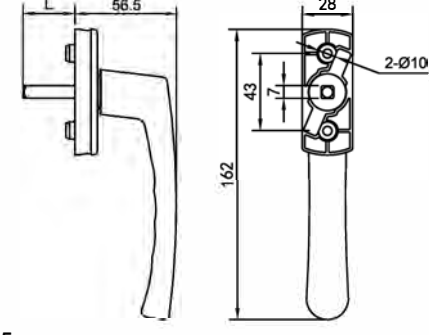
Interpretation of handle code: **PZSN00130**

P / ZS / N / 001 / 30
 U groove / Handle / open-in / serial number / the length of square steel 30mm
 door and window


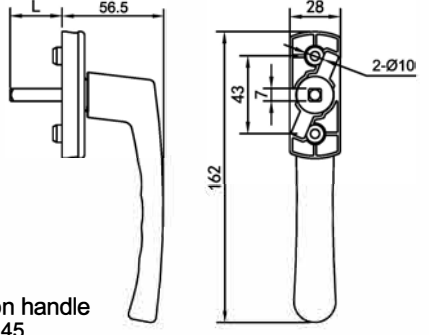

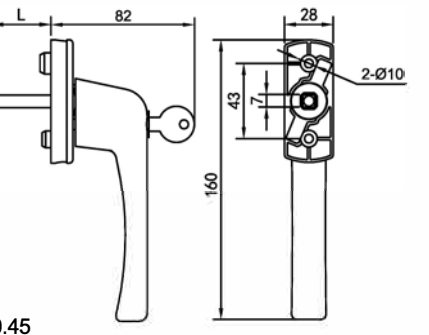

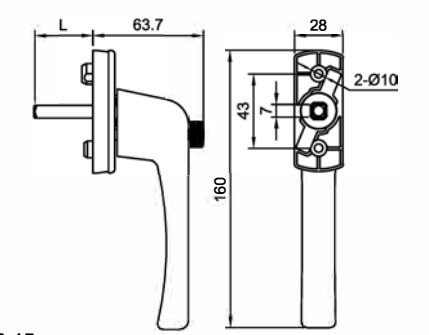

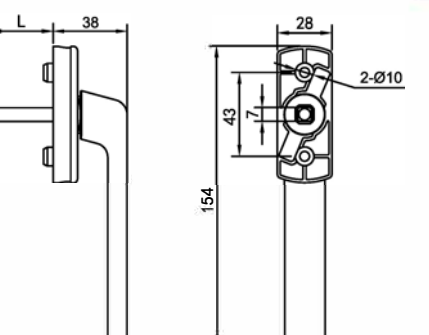
Handle Series

<p>◆ Handle L=25.30.35.40.45</p>	<p>PZSN001</p>
<p>◆ Handle L=25.30.35.40.45</p>	<p>PZSN002</p>
<p>◆ Handle L=25.30.35.40.45</p>	<p>PZSN003</p>
<p>◆ Handle L=25.30.35.40.45</p>	<p>PZSN004</p>


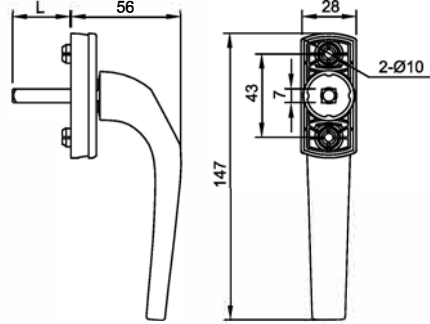

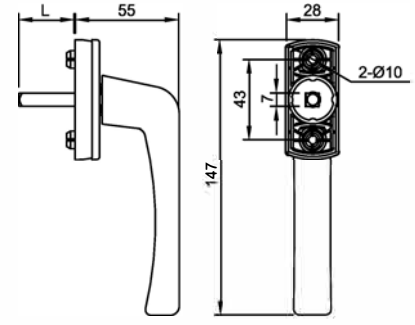

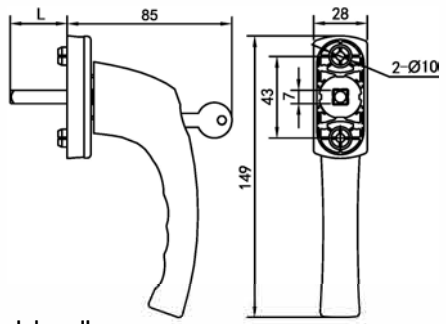

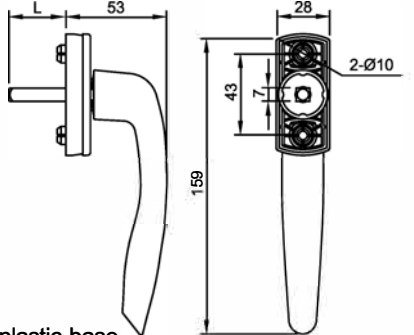
Handle Series

	<p>PZSN005</p>  <p>◆ Handle L=25.30.35.40.45</p>
	<p>PZSN006</p>  <p>◆ Handle L=25.30.35.40.45</p>
	<p>PZSN006S</p>  <p>◆ Handle ◆ Engineering plastic base L=25.30.35.40.45</p>
	<p>PZSN007</p>  <p>◆ Handle L=25.30.35.40.45</p>

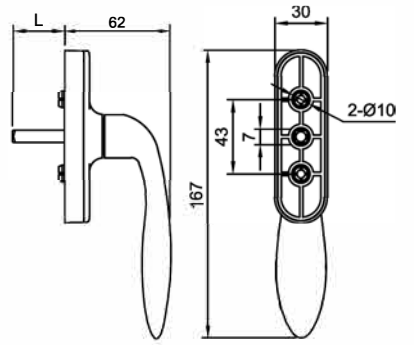

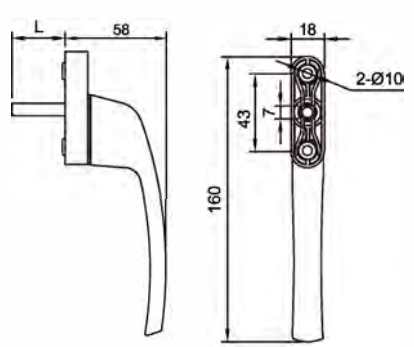

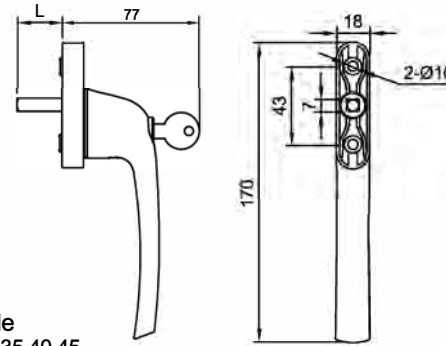

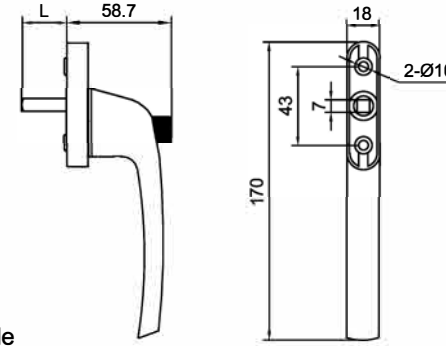

Handle Series

	<p>PZSN008</p>  <p>◆ Handle ◆ 45° Location handle L=25.30.35.40.45</p>
	<p>PZSN009</p>  <p>◆ Handle L=25.30.35.40.45</p>
	<p>PZSN009/I</p>  <p>◆ Handle L=25.30.35.40.45</p>
	<p>PZSN010</p>  <p>◆ Handle L=25.30.35.40.45</p>


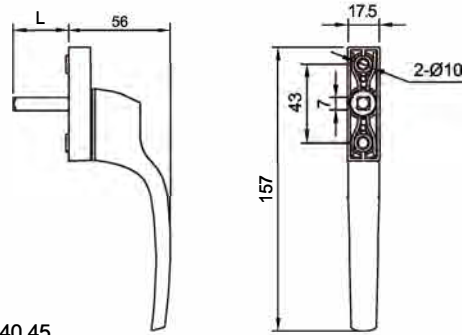

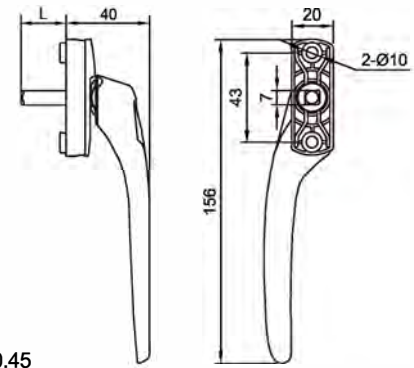

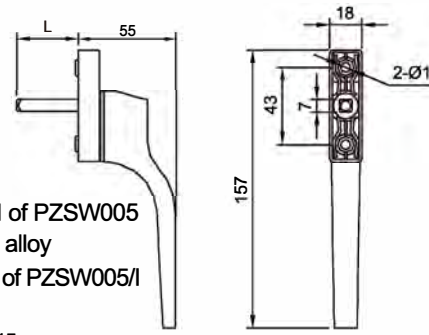

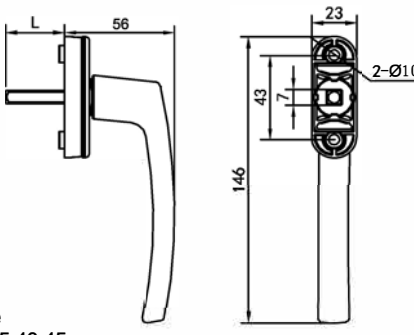
Handle Series

	<p>PZSN013</p>  <ul style="list-style-type: none"> ◆ Handle ◆ Engineering plastic base L=25.30.35.40.45
	<p>PZSN014</p>  <ul style="list-style-type: none"> ◆ Handle ◆ Engineering plastic base L=25.30.35.40.45
	<p>PZSN017</p>  <ul style="list-style-type: none"> ◆ Handle ◆ Safety lock handle L=25.30.35.40.45
	<p>PZSN018</p>  <ul style="list-style-type: none"> ◆ Handle ◆ Engineering plastic base L=25.30.35.40.45

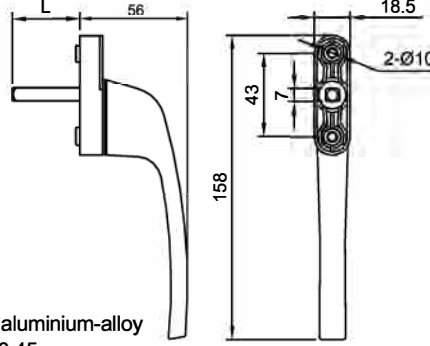

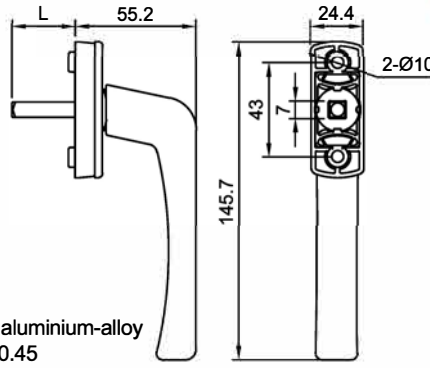

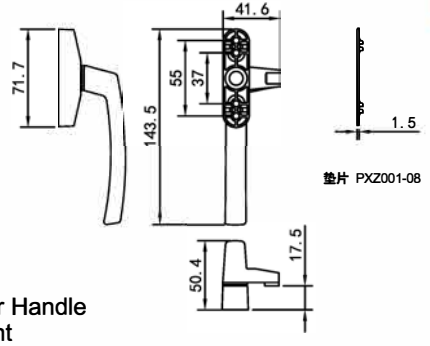

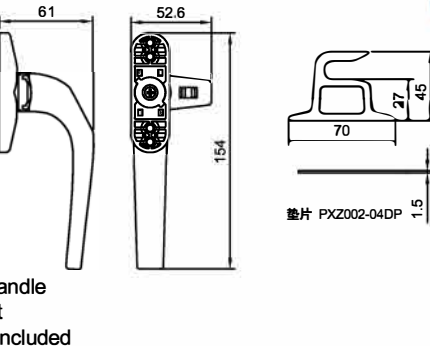

Handle Series

	<p>PZSN019</p>  <ul style="list-style-type: none"> ◆ Handle L=25.30.35.40.45
	<p>PZSW001</p>  <ul style="list-style-type: none"> ◆ Handle L=26.31.35.40.45
	<p>PZSW002</p>  <ul style="list-style-type: none"> ◆ Handle L=26.31.35.40.45
	<p>PZSW002/I</p>  <ul style="list-style-type: none"> ◆ Handle L=26.31.35.40.45


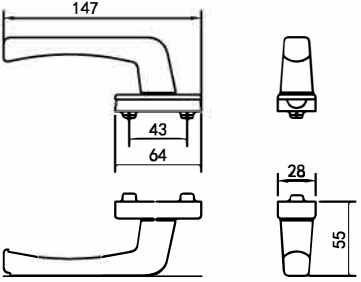

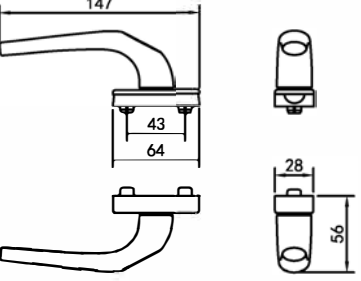

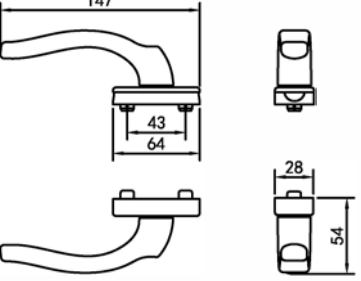

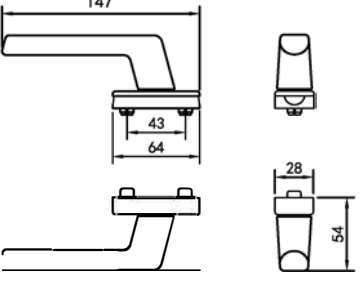
Handle Series

	<p>P11</p>  <ul style="list-style-type: none"> ◆ Handle L=26.31.35.40.45
	<p>PZSWR004</p>  <ul style="list-style-type: none"> ◆ Handle ◆ Left & right L=22.26.31.35.40.45
	<p>PZSW005 PZSW005/I</p>  <ul style="list-style-type: none"> ◆ Handle ◆ The material of PZSW005 is Aluminum alloy The material of PZSW005/I is Zinc alloy L=26.31.35.40.45
	<p>PZSW006</p>  <ul style="list-style-type: none"> ◆ Handle L=26.31.35.40.45


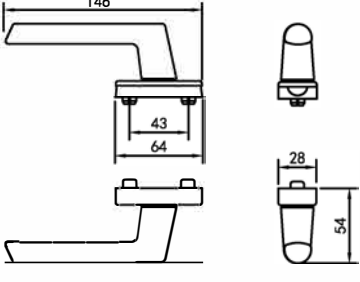

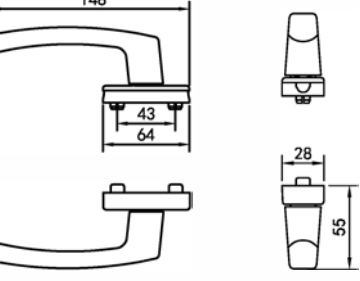

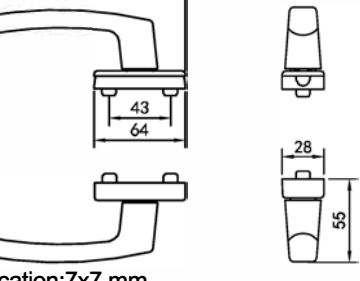

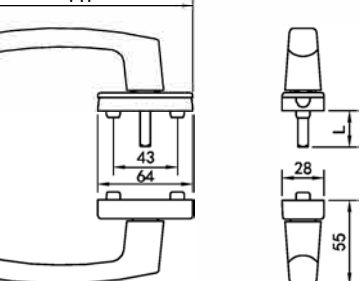
Handle Series

	<p>PZSW007</p>  <ul style="list-style-type: none"> ◆ Handle ◆ Material is aluminium-alloy L=26.31.35.40.45
	<p>PZSW008</p>  <ul style="list-style-type: none"> ◆ Handle ◆ Material is aluminium-alloy L=26.31.35.40.45
	<p>PXZSR001</p>  <ul style="list-style-type: none"> ◆ Cock spur Handle ◆ Left & right ◆ Place order as needed for the cushion, quantity ≤2 nos
	<p>PXZSR002</p>  <ul style="list-style-type: none"> ◆ Spinning Handle ◆ Left & Right ◆ Lock base included ◆ Place order as needed for the cushion, quantity ≤2 nos


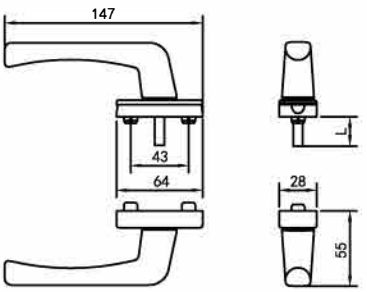

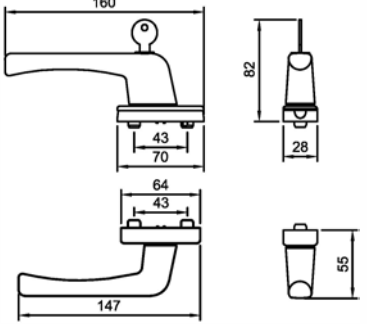

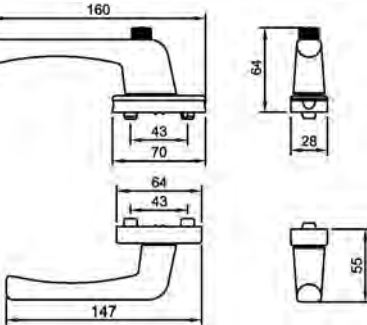

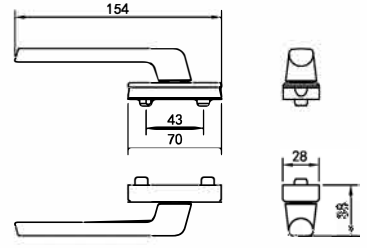
Handle Series

	<p>PMZS001</p>  <ul style="list-style-type: none"> ◆ Handle ◆ Spindle specification: 7x7 mm embedded length of spindle is 15-20 mm
	<p>PMZS002</p>  <ul style="list-style-type: none"> ◆ Handle ◆ Spindle specification: 7x7 mm embedded length of spindle is 15-20 mm
	<p>PMZS003</p>  <ul style="list-style-type: none"> ◆ Handle ◆ Spindle specification: 7x7 mm embedded length of spindle is 15-20 mm
	<p>PMZS004</p>  <ul style="list-style-type: none"> ◆ Handle ◆ Spindle specification: 7x7 mm embedded length of spindle is 15-20 mm


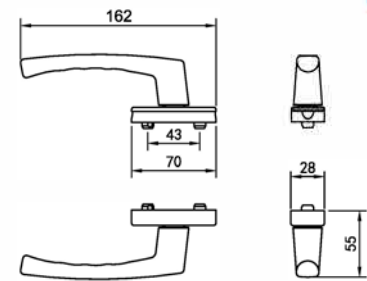

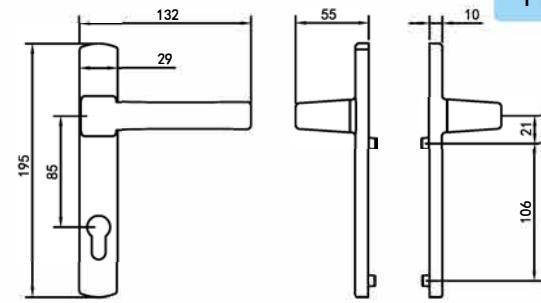

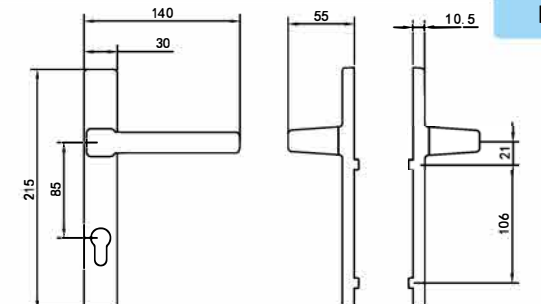

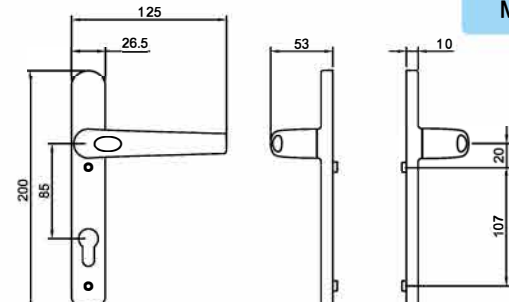
Handle Series

	<p>PMZS005</p>  <ul style="list-style-type: none"> ◆ Handle ◆ Spindle specification: 7x7 mm embedded length of spindle is 15-20 mm
	<p>PMZS006</p>  <ul style="list-style-type: none"> ◆ Handle ◆ Spindle specification: 7x7 mm embedded length of spindle is 15-20 mm
	<p>PMZS006S</p>  <ul style="list-style-type: none"> ◆ Handle ◆ Spindle specification: 7x7 mm embedded length of spindle is 15-20 mm ◆ Project plastic base plate
	<p>PMZS006JS</p>  <ul style="list-style-type: none"> ◆ Handle ◆ Project plastic base plate L=30.35.40.45


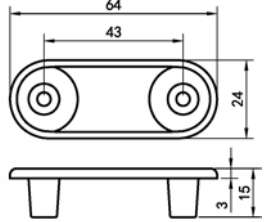

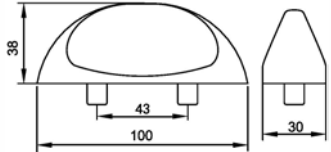

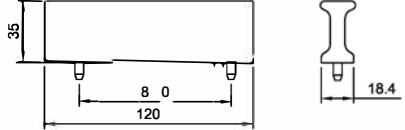

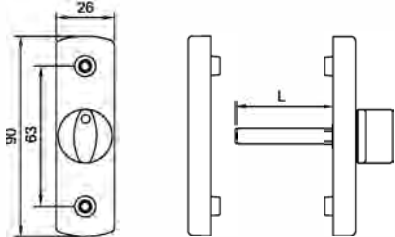
Handle Series

	<p>PMZS007</p>  <ul style="list-style-type: none"> ◆ Handle L=30.35.40.45
	<p>PMZS009</p>  <ul style="list-style-type: none"> ◆ Handle ◆ Spindle specification: 7x7 mm embedded length of spindle is 15-20 mm
<p>NEW</p> 	<p>PMZS009/I</p>  <ul style="list-style-type: none"> ◆ Handle ◆ Spindle specification: 7x7 mm embedded length of spindle is 15-20 mm
	<p>PMZS011</p>  <ul style="list-style-type: none"> ◆ Handle ◆ Spindle specification: 7x7 mm embedded length of spindle is 15-20 mm

Handle Series

	<p>PMZS012</p>  <ul style="list-style-type: none"> ◆ Handle ◆ Spindle specification: 7x7 mm embedded length of spindle is 15-20 mm
	<p>PMZS010</p>  <ul style="list-style-type: none"> ◆ Handle ◆ Spindle specification: 8x8 mm embedded length of spindle is 15-20 mm
	<p>MZS20</p>  <ul style="list-style-type: none"> ◆ Handle ◆ Spindle specification: 8x8 mm embedded length of spindle is 15-20 mm
	<p>MZS208</p>  <ul style="list-style-type: none"> ◆ Handle ◆ Left & right ◆ Spindle specification: 8x8 mm embedded length of spindle is 15-20 mm

Handle Series

	<p>PMB101</p>  <ul style="list-style-type: none"> ◆ Cover Plate ◆ Screw length=Sash thickness+5mm ◆ Screw is not included and should be placed order if needed
	<p>PMZS011-01</p>  <ul style="list-style-type: none"> ◆ Exterior Handle ◆ Screw length=Sash thickness+10mm ◆ Screw is not included and should be placed order if needed
	<p>PMLS01</p>  <ul style="list-style-type: none"> ◆ Sliding door handle ◆ Screw length=Sash thickness+20mm ◆ Screw is not included and should be placed order if needed
	<p>PMB002</p>  <ul style="list-style-type: none"> ◆ Lock Cover Plate ◆ Screw length=Sash thickness+15mm ◆ Screw is not included and should be placed order if needed L=45

Solution to Open-in Single-Point Lock system



Open-in spinning handle-PXR/L002

- ◆ Single-point lock can replace the transmission rod to use with the handle, which is high cost-effective.
- ◆ Distinguished left and right of the handle with beautiful design and good hand-feeling.
- ◆ The main body is cast by aluminum alloy to make sure the the strength requirement.
- ◆ Suitable for the open-in side hung and open-in turn and tilt windows of small size, easy to operate.
- ◆ Use ST4.2 countersunk self-tapping screw to fix on the profile, and select the gasket according to the requirement.

Hinge order before & after split comparison table

Production Name	Code Number	Fitting Name	Fitting Code Number
Upper Corner Hinge	PHYSNR/L0029	Upper Pivot Hinge	PHYSN002
		Corner Connecting Rod	PJBLGR/L0029
		Outer Cover	PHYSN002-03A
Upper Corner Hinge	PHYSNR/L00213	Upper Pivot Hinge	PHYSN002
		Corner Connecting Rod	PJBLGR/L00213
		Outer Cover	PHYSN002-03A
Upper Corner Hinge	PHYSNR/L0039	Upper Pivot Hinge	PHYSN003
		Corner Connecting Rod	PJBLGR/L0039
		Outer Cover	PHYSN002-03A
Upper Corner Hinge	PHYSNR/L00313	Upper Pivot Hinge	PHYSN003
		Corner Connecting Rod	PJBLGR/L00313
		Outer Cover	PHYSN002-03A
Upper Corner Hinge	PHYSNR/L0049	Upper Pivot Hinge	PHYSN004
		Corner Connecting Rod	PJBLGR/L0029
		Outer Cover	PHYSN002-03A
Upper Corner Hinge	PHYSNR/L00413	Upper Pivot Hinge	PHYSN004
		Corner Connecting Rod	PJBLGR/L00213
		Outer Cover	PHYSN002-03A
Upper Pivot Hinge	PHYSN002	Upper Frame Assembly	PHYSN002K
		Outer Cover	PHYSN002-04
Upper Pivot Hinge	PHYSN003	Upper Frame Assembly	PHYSN003K
		Outer Cover	PHYSN003-02
Upper Pivot Hinge	PHYSN004	Upper Frame Assembly	PHYSN004K
		Outer Cover	PHYSN003-02
Mid Pivot Hinge	PHYZ00809	Upper Frame Assembly	PHYSN002K
		Mid Sash Assembly	PHYZ00709SC
		Outer Cover	PHYSN002-04
		Outer Cover	PHYSN002-03A
Mid Pivot Hinge	PHYZ00813	Upper Frame Assembly	PHYSN002K
		Mid Sash Assembly	PHYZ00713SC
		Outer Cover	PHYSN002-04
		Outer Cover	PHYSN002-03A
Mid Pivot Hinge	PHYZ00709	Upper Frame Assembly	PHYSN003K
		Spindle	PHYZ00709SC
		Outer Cover	PHYSN003-02
		Outer Cover	PHYSN002-03A

Instructions

1. In order to ensure that the product performance is stable, Pls exactly support the use of the frame assembly and sash assembly as shown in the table. Not be free to match.
2. Standard color can be placed the order with product code No or fitting code No, Non-standard colors only in fitting code Sr.

Hinge order before & after split comparison table

Production Name	Code Number	Fitting Name	Fitting Code Number
Mid Pivot Hinge	PHYZ00713	Upper Frame Assembly	PHYSN003K
		Mid Sash Assembly	PHYZ00713SC
		Outer Cover	PHYSN003-02
		Outer Cover	PHYSN002-03A
Mid Pivot Hinge	PHYZ005	Upper Frame Assembly	PHYSN002K
		Spindle	PHYZ005-01
		Outer Cover	PHYZ005-02
		Outer Cover	PHYSN002-04
Mid Pivot Hinge	PHYZ006	Upper Frame Assembly	PHYSN003K
		Spindle	PHYZ005-01
		Outer Cover	PHYZ005-02
		Outer Cover	PHYSN003-02
Bottom Pivot Hinge	PHYXN002	Bottom Frame Assembly	PHYXN010KA
		Bottom Sash Assembly	PHYXN002S
		Outer Cover	PHYXN0099-05
		Outer Cover	PHYXN0099-06
		Outer Cover	PHYXN002-03
Bottom Pivot Hinge	PHYXNR/L0099	Bottom Frame Assembly	PHYXN009KA
		Bottom Sash Assembly	PHYXNR/L0099SC
		Outer Cover	PHYXN0099-05
		Outer Cover	PHYXN0099-06
		Outer Cover	PHYXNR/L0099-07B
Bottom Pivot Hinge	PHYXNR/L00913	Bottom Frame Assembly	PHYXN009KA
		Bottom Sash Assembly	PHYXNR/L00913SC
		Outer Cover	PHYXN0099-05
		Outer Cover	PHYXN0099-06
		Outer Cover	PHYXNR/L0099-07B
Bottom Pivot Hinge	PHYXNR/L0109	Bottom Frame Assembly	PHYXN010KA
		Bottom Sash Assembly	PHYXNR/L0109SC
		Outer Cover	PHYXN0099-05
		Outer Cover	PHYXN0099-06
		Outer Cover	PHYXNR/L0099-07B
Bottom Pivot Hinge	PHYXNR/L01013	Bottom Frame Assembly	PHYXN010KA
		Bottom Sash Assembly	PHYXNR/L01013SC
		Outer Cover	PHYXN0099-05
		Outer Cover	PHYXN0099-06
		Outer Cover	PHYXNR/L0099-07B

Instructions

1. In order to ensure that the product performance is stable, Pls exactly support the use of the frame assembly and sash assembly as shown in the table. Not be free to match.
2. Standard color can be placed the order with product code No or fitting code No, Non-standard colors only in fitting code Sr.

Hinge Series

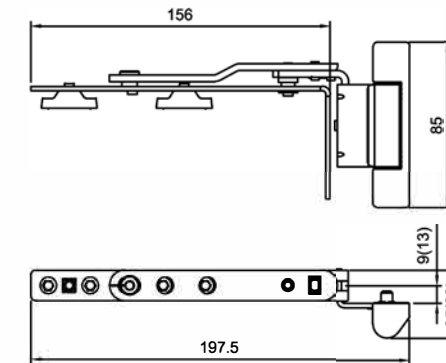
Hinge Series



Interpretation of pivot hinge code: **PHYXNR0109**

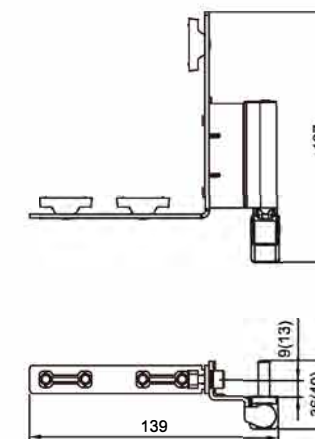
P / HY / X / N / R / 010 / 9
 U groove / hinge / bottom / open-in / right style / serial number / 9 series
 door and window

PHYSNR0029
PHYSNR00213



- ◆ Upper Corner Hinge
- ◆ Left&Right
- ◆ Match with bottom pivot hinge
- ◆ Please indicate the outer cover color while placing order
- ◆ The standard products can be ordered as one whole set or separately


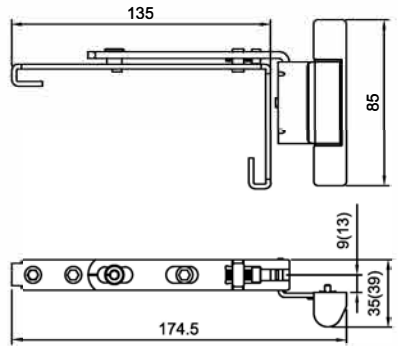
PHYXNR0099
PHYXNR00913



- ◆ Bottom Pivot Hinge
- ◆ Left&Right
- ◆ Maximum bearing capacity is 130KG
- ◆ Please indicate the outer cover color while placing order
- ◆ The standard products can be ordered as one whole set or separately


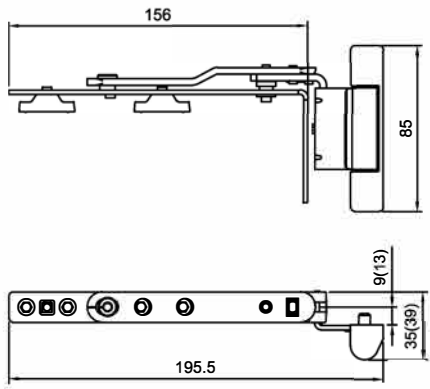
Hinge Series

PHYSNR0039
PHYSNR00313

- ◆ Upper Corner Hinge
- ◆ Left&Right
- ◆ Match with bottom pivot hinge
- ◆ Please indicate the outer cover color while placing order
- ◆ The standard products can be ordered as one whole set or separately


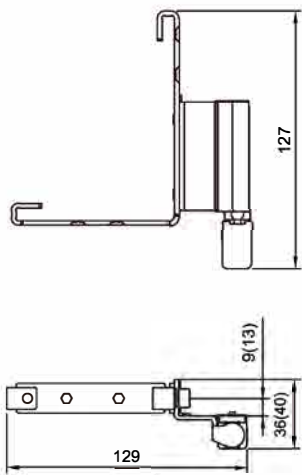
PHYSNR0049
PHYSNR00413

- ◆ Upper Corner Hinge
- ◆ Left&Right
- ◆ Match with bottom pivot hinge
- ◆ Please indicate the outer cover color while placing order
- ◆ The standard products can be ordered as one whole set or separately


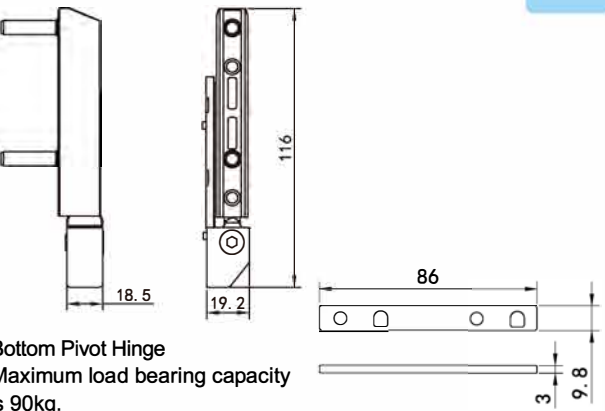
Hinge Series

PHYXNR0109
PHYXNR01013


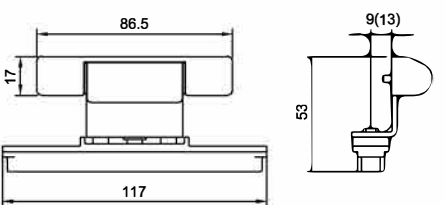
- ◆ Bottom Pivot Hinge
- ◆ Left & Right
- ◆ Maximum load bearing capacity is 90kg
- ◆ Please indicate the outer cover color while placing order
- ◆ The standard products can be ordered as one whole set or separately

PHYXN002


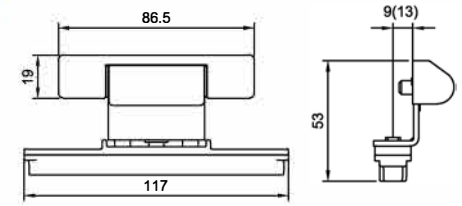

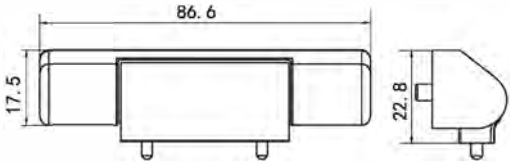

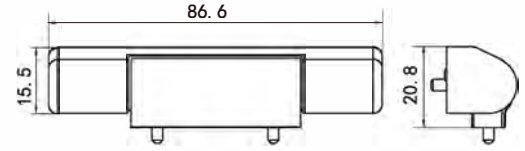

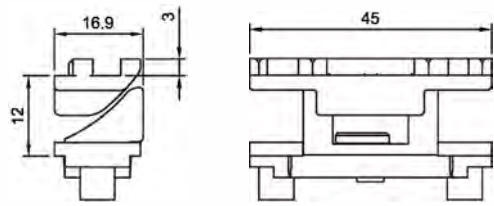
- ◆ Bottom Pivot Hinge
- ◆ Maximum load bearing capacity is 90kg.
- ◆ Please indicate the color when ordering Outer Cover. Gasket PHYXN002SDP (can be used for the sash profile which incline is 15 degree.)
- ◆ The standard products can be ordered as one whole set or separately

PHYZ00709
PHYZ00713


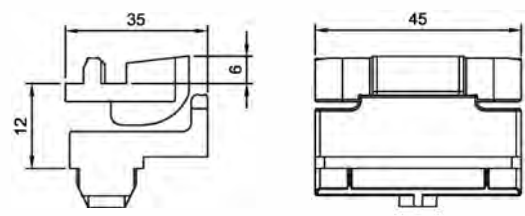
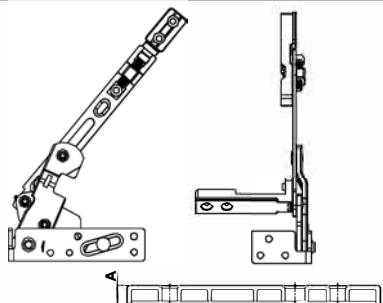
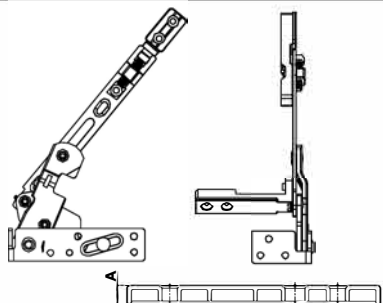
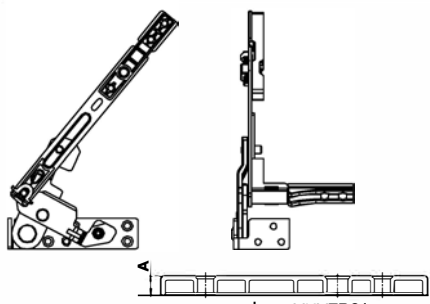
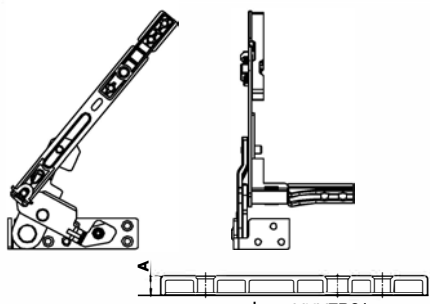

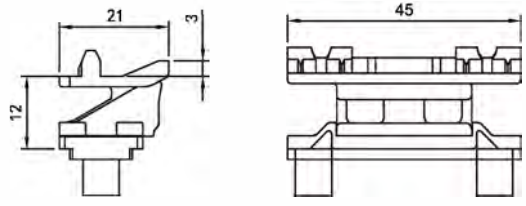



- ◆ Mid Pivot hinge
- ◆ Please indicate the outer cover color while placing order
- ◆ Suitable for Open-in Side hung window(door)
- ◆ The standard products can be ordered as one whole set or separately


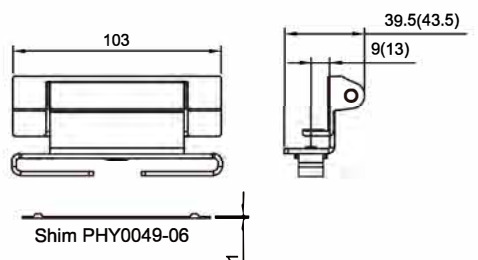

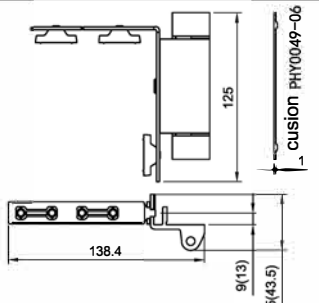

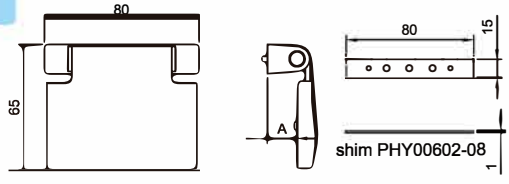

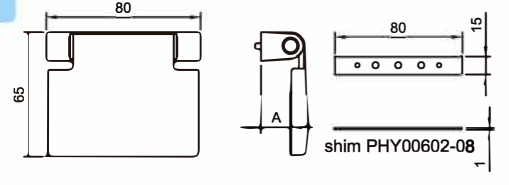
Hinge Series

	<p>PHYZ00809 PHYZ00813</p>  <ul style="list-style-type: none"> ◆ Mid Pivot hinge ◆ Please indicate the outer cover color while placing order ◆ Suitable for Open-in Side-hung window (door) ◆ The standard products place orders as whole sets or separately.
	<p>PHYZ005</p>  <ul style="list-style-type: none"> ◆ Mid Pivot Hinge ◆ Please indicate the outer cover color while placing order ◆ The standard products place orders as whole sets or separately.
	<p>PHYZ006</p>  <ul style="list-style-type: none"> ◆ Mid Pivot Hinge ◆ Please indicate the outer cover color while placing order ◆ The standard products place orders as whole sets or separately.
	<p>PYZS0049 PYZS00413</p>  <ul style="list-style-type: none"> ◆ Concealde Mid Lock ◆ Suitable for open-in side-Hung window (door)


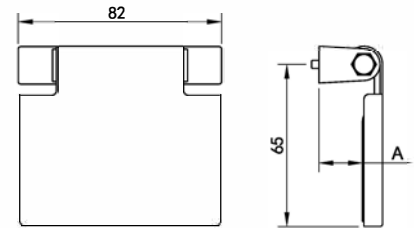

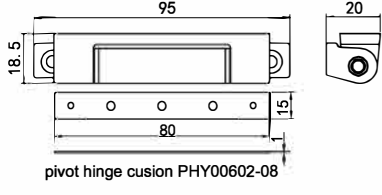

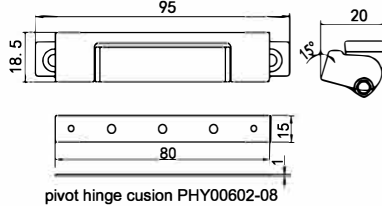

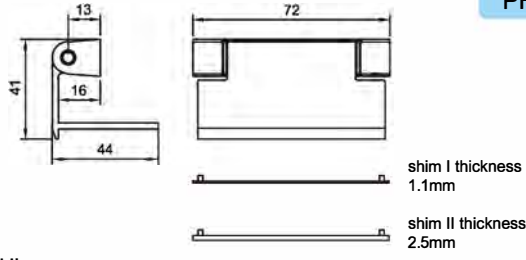
Hinge Series

	<p>PYZS0059 PYZS00513</p>  <ul style="list-style-type: none"> ◆ Concealde Mid Lock ◆ Suitable for open-in side-Hung window (door)
	<p>PYHYSR0029 PYHYSR00213</p>  <ul style="list-style-type: none"> ◆ Concealed Upper Pivot Hinge cushion PYHYZD01 ◆ Left & Right, equipped with gasket, and size A depends on the profile. ◆ Suitable for Side-Hung Window matching with concealed Bottom pivot hinge. Maximum load bearing capacity is 60kg.
	<p>PYHYXR0029 PYHYXR00213</p>  <ul style="list-style-type: none"> ◆ Concealed Bottom Pivot Hinge cushion PYHYZD01 ◆ Left & Right, equipped with gasket, and size A depends on the profile. ◆ Suitable for Side-Hung Window matching with concealed Upper pivot hinge. Maximum load bearing capacity is 60kg.
	<p>PYZS0039 PYZS00313</p>  <ul style="list-style-type: none"> ◆ Concealde Mid Lock ◆ Suitable for open-in side-Hung window ◆ work with concealed pivot hinge


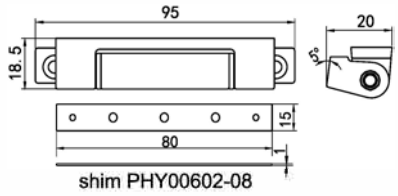

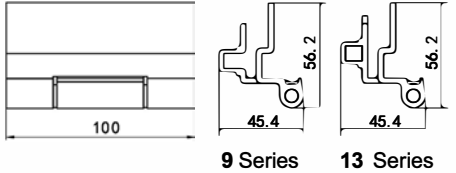

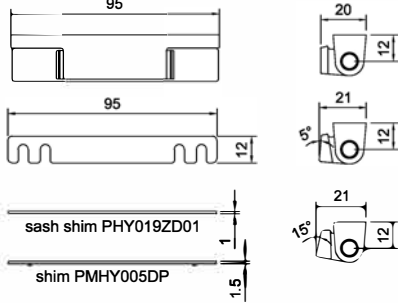

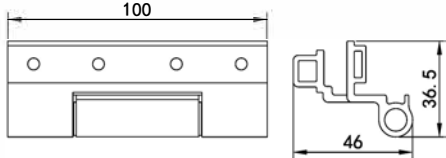
Hinge Series

	<p>PHY0049 PHY00413</p>  <ul style="list-style-type: none"> ◆ Pivot Hinge ◆ Please indicate the color while placing order ◆ Suitable for open-in side-hung window. Maximum load bearing capacity is 80kg ◆ Place order as needed for the cushion, quantity ≤3 nos
	<p>PHY0059 PHY00513</p>  <ul style="list-style-type: none"> ◆ Pivot Hinge ◆ Please indicate the color while placing order ◆ Suitable for open-in side-hung window. Maximum load bearing capacity is 80kg ◆ Place order as needed for the cushion, quantity ≤2 nos
	<p>PHY006(A=15) PHY008(A=17.5) PHY024(A=22.5)</p>  <ul style="list-style-type: none"> ◆ Pivot Hinge ◆ Please indicate the color while placing order ◆ Suitable for open-in side-hung window. Maximum load bearing capacity is 60kg, Left and right adjustable 3mm ◆ Place order as needed for the cushion, quantity ≤2 nos
	<p>PHY007(A=15) PHY009(A=17.5) PHY025(A=22.5)</p>  <ul style="list-style-type: none"> ◆ Pivot Hinge ◆ Please indicate the color while placing order ◆ Suitable for open-in side-hung window. Maximum load bearing capacity is 60kg ◆ Place order as needed for the cushion, quantity ≤2 nos


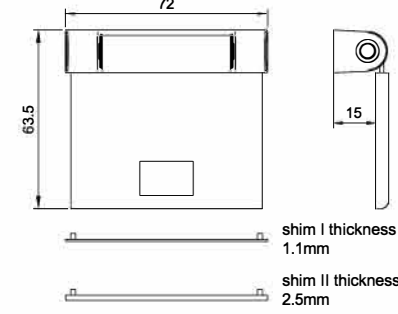

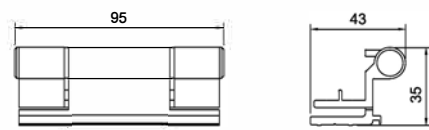

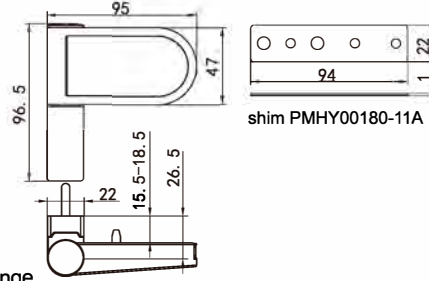

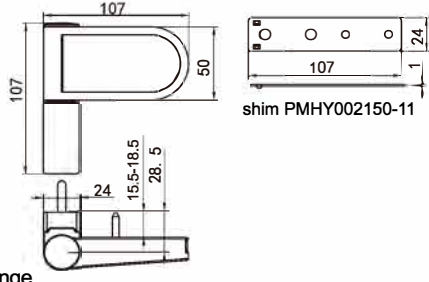
Hinge Series

	<p>PHY010(A=17.5) PHY026(A=22.5)</p>  <ul style="list-style-type: none"> ◆ Pivot Hinge ◆ Please indicate the color while placing order ◆ Suitable for open-in side-hung window. Maximum load bearing capacity is 60kg
	<p>PHY011</p>  <ul style="list-style-type: none"> ◆ Pivot Hinge ◆ Please indicate the color while placing order ◆ Suitable for open-in side-hung window. Maximum load bearing capacity is 40kg ◆ Place order as needed for the cushion, quantity ≤2 nos
	<p>PHY012</p>  <ul style="list-style-type: none"> ◆ Pivot Hinge ◆ Please indicate the color while placing order ◆ Suitable for open-in side-hung window. Maximum load bearing capacity is 40kg ◆ Place order as needed for the cushion, quantity ≤2 nos
	<p>PHY0139 PHY01313</p>  <ul style="list-style-type: none"> ◆ Pivot Hinge ◆ Suitable for open-in side-hung window. Maximum load bearing capacity is 40kg ◆ Place order as needed for the cushion, quantity ≤3 nos


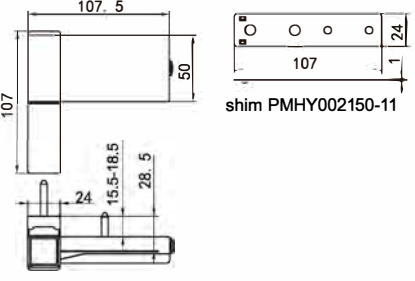

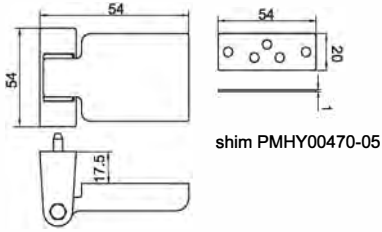

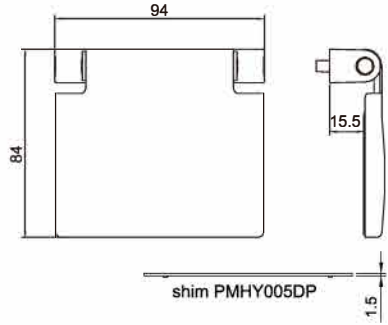
Hinge Series

	<p>PHY016</p>  <ul style="list-style-type: none"> ◆ Pivot Hinge ◆ Please indicate the color while placing order ◆ Suitable for open-in side-hung window. Maximum load bearing capacity is 40kg ◆ Place order as needed for the cushion, quantity ≤2 nos
 <p>PHY01709 PHY01713</p>	<p>PHY01709 PHY01713</p>  <ul style="list-style-type: none"> ◆ Pivot Hinge ◆ Please indicate the color while placing order ◆ Suitable for open-in side-hung window. Maximum load bearing capacity is 40kg
	<p>PHY019 PHY019/5 PHY019/15</p>  <ul style="list-style-type: none"> ◆ Pivot Hinge ◆ Please indicate the color while placing order ◆ Suitable for open-in side-hung window. Maximum load bearing capacity is 40kg ◆ Place order as needed for the cushion, quantity ≤3 nos
	<p>PHY02109</p>  <ul style="list-style-type: none"> ◆ Pivot Hinge ◆ Please indicate the color while placing order ◆ Can be used for the open-in side-hung window which frame is C-groove and sash is U-groove, the maximum load bearing capacity is 40kg.

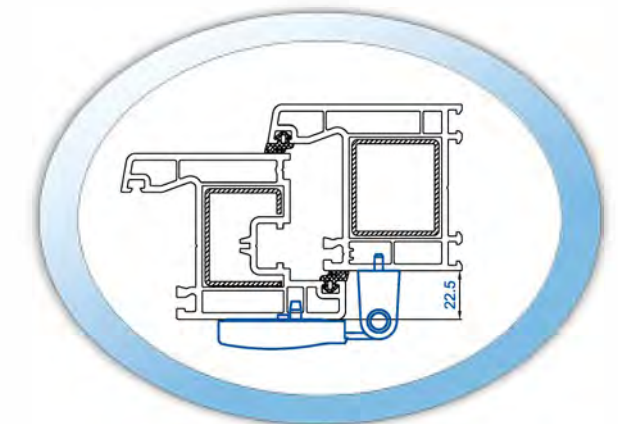
Hinge Series

	<p>PHY022</p>  <ul style="list-style-type: none"> ◆ Pivot hinge ◆ Suitable for Open-in Side-hung window. Maximum load bearing capacity is 40kg. ◆ Place order as needed for the cushion, quantity ≤2 nos
	<p>PHY02313</p>  <ul style="list-style-type: none"> ◆ Pivot hinge ◆ Suitable for Aluminium-plastic composites profile ◆ Suitable for Side-hung window. Maximum load bearing capacity is 60kg.
	<p>PMHY00180</p>  <ul style="list-style-type: none"> ◆ Pivot Hinge ◆ Suitable for side-hung door, maximum load bearing capacity is 80Kg ◆ Please indicate the color while placing order ◆ Place order as needed for the cushion, quantity ≤2 nos
	<p>PMHY002150</p>  <ul style="list-style-type: none"> ◆ Pivot Hinge ◆ Suitable for side-hung door, maximum load bearing capacity is 150Kg ◆ Please indicate the color while placing order ◆ Place order as needed for the cushion, quantity ≤2 nos

Hinge Series

	<p>PMHY003150</p>  <p>shim PMHY002150-11</p> <ul style="list-style-type: none"> ◆ Pivot Hinge ◆ Suitable for side-hung door, maximum load bearing capacity is 150Kg ◆ Please indicate the color while placing order ◆ Place order as needed for the cushion, quantity ≤ 2 nos
	<p>PMHY00470</p>  <p>shim PMHY00470-05</p> <ul style="list-style-type: none"> ◆ Pivot Hinge ◆ Suitable for side-hung door, maximum load bearing capacity is 70Kg ◆ Please indicate the color while placing order ◆ Place order as needed for the cushion, quantity ≤ 2 nos
	<p>PMHY005</p>  <p>shim PMHY005DP</p> <ul style="list-style-type: none"> ◆ Pivot Hinge ◆ Please indicate the color while placing order ◆ Suitable for side-hung door, maximum load bearing capacity is 60Kg ◆ Place order as needed for the cushion, quantity ≤ 2 nos

Solution to Pivot Hinge of High-drop Between Frame and Sash



Flat pivot hinge-PHY024/25/26

- ◆ Designed for the profile of distance 22.5mm between frame and sash, and two types of adjustable and non-adjustable (left and right ± 3 mm)
- ◆ The sleeve between with it can reduce the friction and noise, which make it comfortable and smooth
- ◆ Outer cover with the sash part makes it beautiful after installation

UPVC Door&Window Duplicator Series



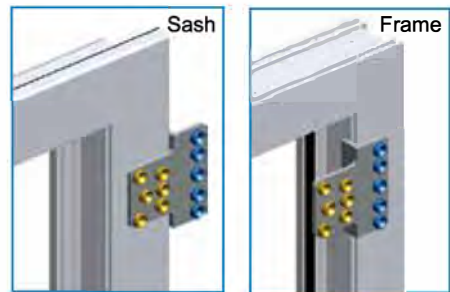
Name of the fitting	Series Code	Sash Border	This duplicator is used to install the following pivot hinge
Duplicator	PKMQ09/I	18, 20, 22	PHYSN003K, PHYXN010KA



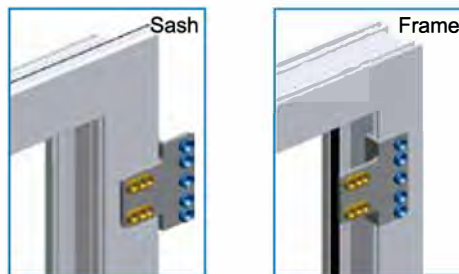
Name of the fitting	Series Code	Sash Border	This duplicator is used to install the following pivot hinge
Duplicator	PKMQII	18, 20, 22	PHYSN002K, PHYXN009KA



Name of the fitting	Series Code	Sash Border	This duplicator is used to install the following pivot hinge
Duplicator	PKMQ03A	20	PHYXN002S



Name of the fitting	Series Code	Sash Border	This duplicator is used to install the following pivot hinge
Duplicator	PKMQ04	20	PHY007 PHY009 PHY011(Frame) PHY012(Frame) PHY016(Frame)



Name of the fitting	Series Code	Sash Border	This duplicator is used to install the following pivot hinge
Duplicator	PKMQ05	20	PHY006 PHY008 PHY011(Frame) PHY012(Frame) PHY016(Frame)

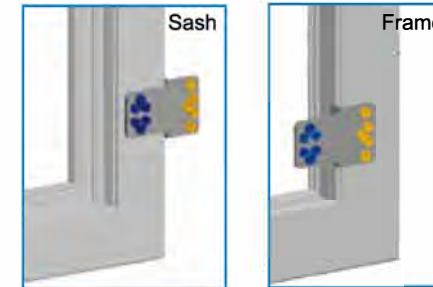
UPVC Door&Window Duplicator Series



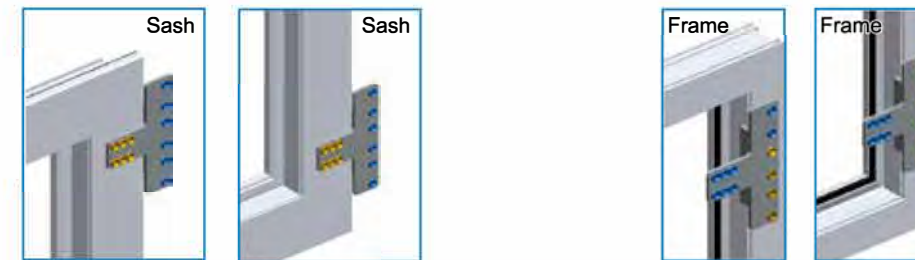
Name of the fitting	Series Code	Sash Border	This duplicator is used to install the following pivot hinge
Duplicator	PKMQ11	18, 20, 22	PHYZ005(Sash), PHYZ006(Sash)



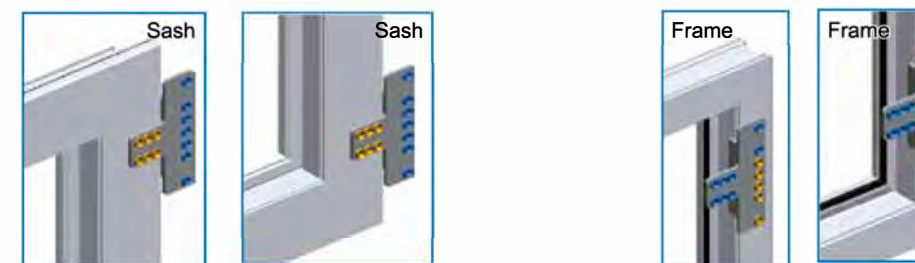
Name of the fitting	Series Code	Sash Border	This duplicator is used to install the following pivot hinge
Duplicator	PKMQ10K	20	PHY011(Frame), PHY012(Frame) PHY016(Frame), PHY019(Frame) PHY019/5(Frame), PHY019/15(Frame)
	PKMQ10S/I	20	PHY011(Sash), PHY016(Sash) PHY019(Sash), PHY019/5(Sash)
	PKMQ10S/II		PHY012(Sash), PHY019/15(Sash)



Name of the fitting	Series Code	Sash Border	This duplicator is used to install the following pivot hinge
Duplicator	PMKMQ03	20	PMHY00470

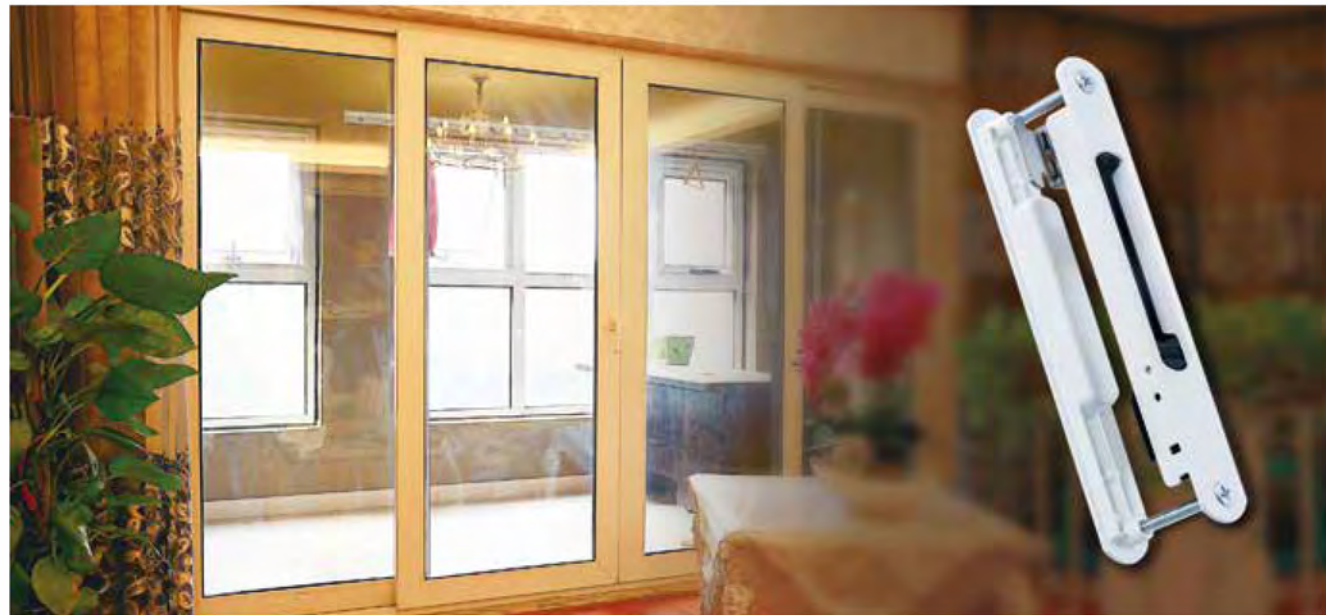


Name of the fitting	Series Code	Sash Border	This duplicator is used to install the following pivot hinge
Duplicator	PMKMQ01	20	PMHY002150, PMHY003150



Name of the fitting	Series Code	Sash Border	This duplicator is used to install the following pivot hinge
Duplicator	PMKMQ04A	20	PMHY00180

Sliding Series




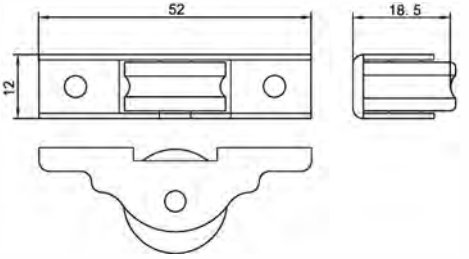

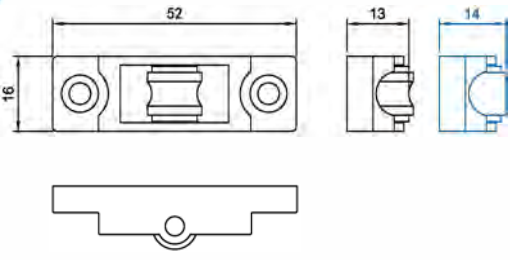

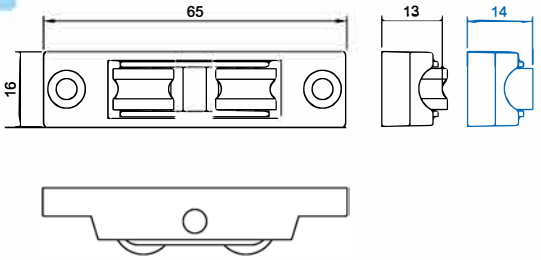

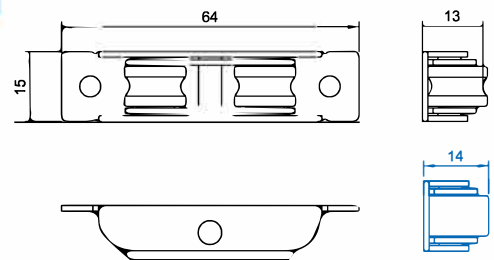
Interpretation of manual lock code: PSDSS004

P / SD / S / S / 004
 U groove door and window / manual lock / double-side / series code

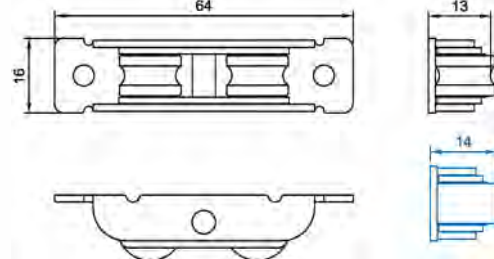

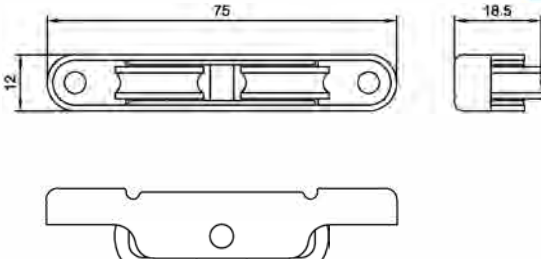

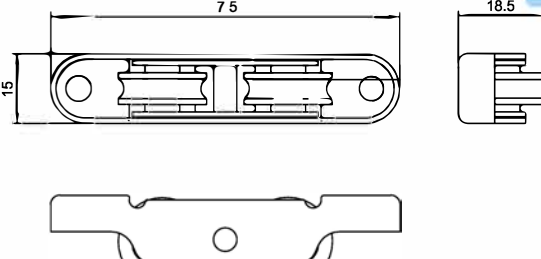

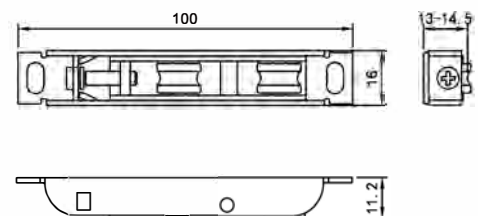

Sliding Series

<p> PDHRC001 PDHRP001 </p> <ul style="list-style-type: none"> ◆ 88 Single roller/88 Single-flat roller ◆ Used for window, maximum load bearing capacity is 40kg/2pcs 	
<p> PDHRC001A PDHRP001A </p> <ul style="list-style-type: none"> ◆ 88 Single roller/88 Single-flat roller ◆ Used for window, maximum load bearing capacity is 40kg/2pcs 	
<p> PDHRC002 </p> <ul style="list-style-type: none"> ◆ 15 Single Roller ◆ Used for window, maximum load bearing capacity is 40kg/2pcs 	
<p> PDHRC003 </p> <ul style="list-style-type: none"> ◆ 15 Single Roller ◆ Used for window, maximum load bearing capacity is 40kg/2pcs 	


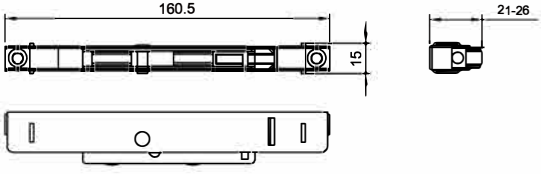

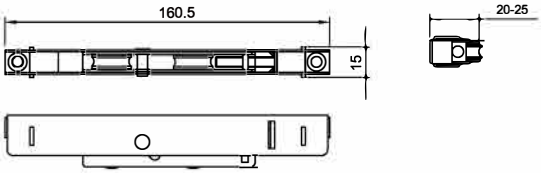

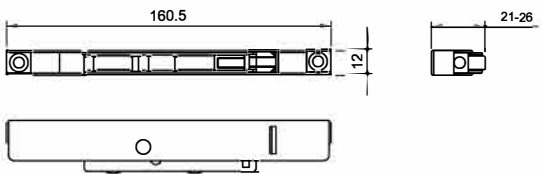

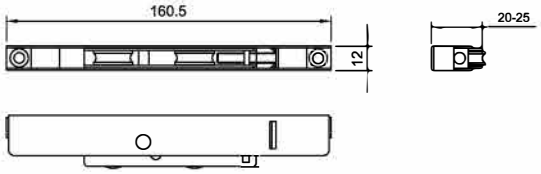
Sliding Series

	<p>PDHRC004</p>  <ul style="list-style-type: none"> ◆ 12 Single Roller ◆ Used for window, maximum load bearing capacity is 40kg/2pcs
	<p>PDCLP001 PDCLC001</p>  <ul style="list-style-type: none"> ◆ 16 single roller/ Single -flat roller (Copper) ◆ Suitable for Window, Load bearing capacity 40kg/2 pieces
	<p>PSCLP001 PSCLC001</p>  <ul style="list-style-type: none"> ◆ 16 single roller/ Single -flat roller (Copper) ◆ Suitable for Window, Load bearing capacity 60kg/2 pieces
	<p>PSHRC002 PSHRP002</p>  <ul style="list-style-type: none"> ◆ 1470 Single roller/1470 Single-flat roller ◆ Used for window, maximum load bearing capacity is 60kg/2pcs

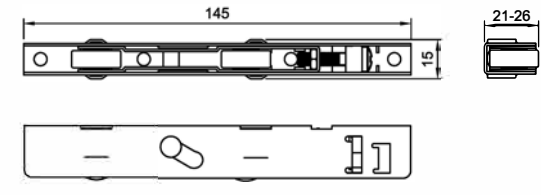
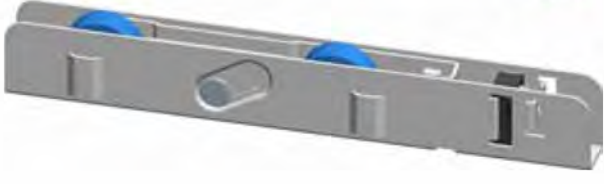
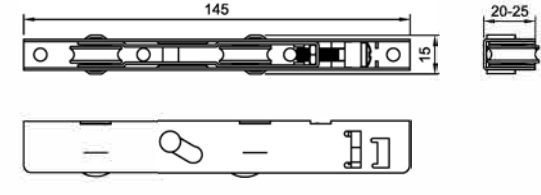

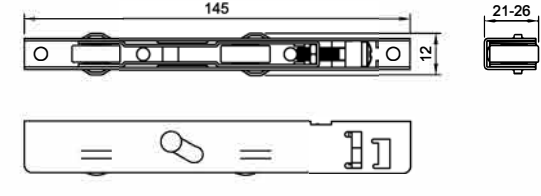
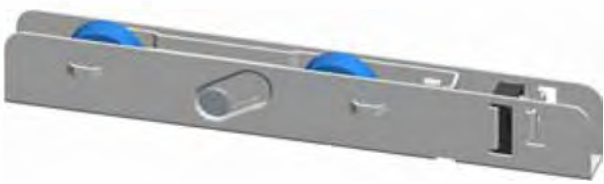
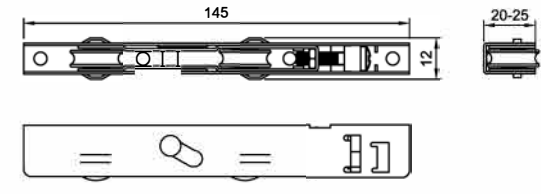
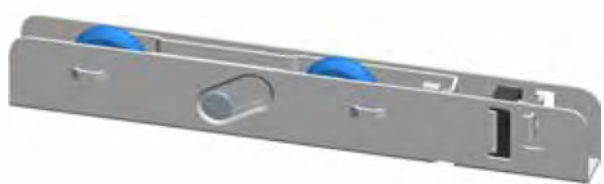
Sliding Series

	<p>PSHRC001 PSHRP001</p>  <ul style="list-style-type: none"> ◆ 1670 Single roller/1670 Single-flat roller ◆ Used for window, maximum load bearing capacity is 60kg/2pcs
	<p>PSHRC004A</p>  <ul style="list-style-type: none"> ◆ 12 Adjustable Double Roller ◆ Used for window (Light duty Door) ,maximum load bearing capacity is 60kg/2pcs
	<p>PSHRC003</p>  <ul style="list-style-type: none"> ◆ 15 Adjustable Double Roller ◆ Used for window (Light duty Door), maximum load bearing capacity is 60kg/2pcs
	<p>PTHRC003</p>  <ul style="list-style-type: none"> ◆ 16 Adjustable Double Roller ◆ Used for window, maximum load bearing capacity is 60kg/2pcs


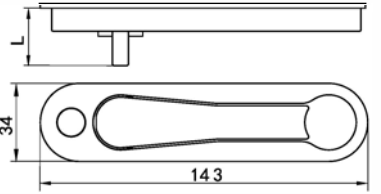

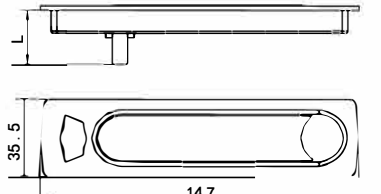

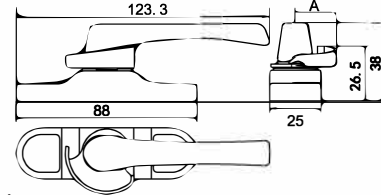

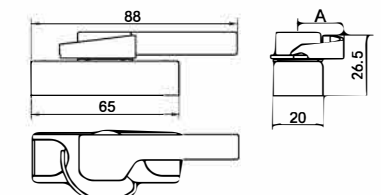

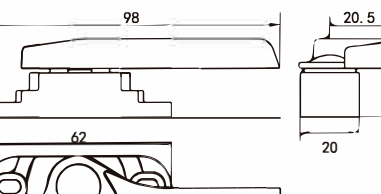
Sliding Series

	<p>PTHRP001</p>  <ul style="list-style-type: none"> ◆ 15 Adjustable Door Roller ◆ Used for Door, maximum load bearing capacity is 90kg/2pcs
	<p>PTHRC001</p>  <ul style="list-style-type: none"> ◆ 15 Adjustable Door Roller ◆ Used for Door, maximum load bearing capacity is 90kg/2pcs
	<p>PTHRP002</p>  <ul style="list-style-type: none"> ◆ 12 Adjustable Door Roller ◆ Used for Door, maximum load bearing capacity is 90kg/2pcs
	<p>PTHRC002</p>  <ul style="list-style-type: none"> ◆ 12 Adjustable Door Roller ◆ Used for Door, maximum load bearing capacity is 90kg/2pcs


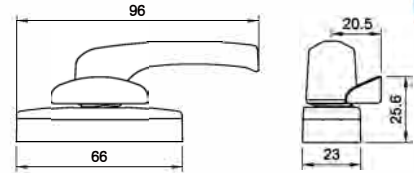

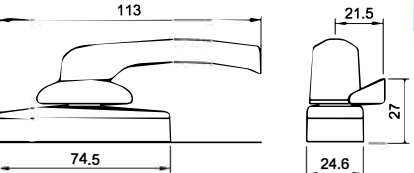

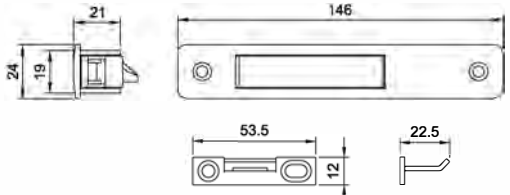

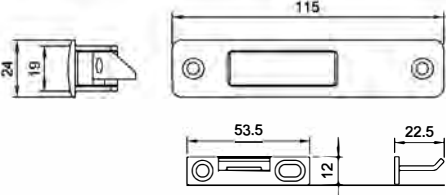

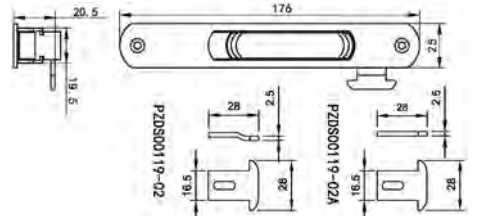
Sliding Series

	<p>PTMLP101</p>  <p>NEW</p> <ul style="list-style-type: none"> ◆ 15 Adjustable Door Roller/flat roller ◆ Used for door, maximum load bearing capacity is 90kg/2pcs
	<p>PTMLC101</p>  <p>NEW</p> <ul style="list-style-type: none"> ◆ 15 Adjustable Door Roller/grooved roller ◆ Used for door, maximum load bearing capacity is 90kg/2pcs
	<p>PTMLP102</p>  <p>NEW</p> <ul style="list-style-type: none"> ◆ 12 Adjustable Door Roller/flat roller ◆ Used for door, maximum load bearing capacity is 90kg/2pcs
	<p>PTMLC102</p>  <p>NEW</p> <ul style="list-style-type: none"> ◆ 12 Adjustable Door Roller/grooved roller ◆ Used for Door, maximum load bearing capacity is 90kg/2pcs


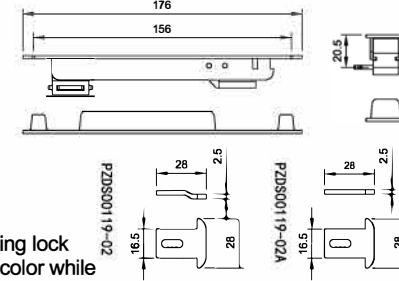

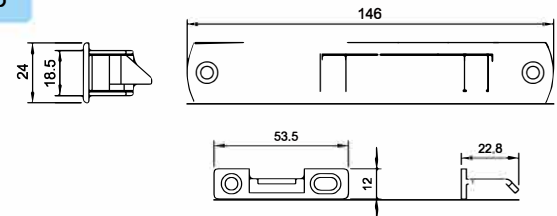

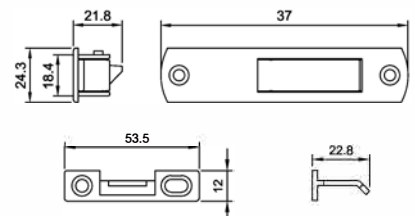

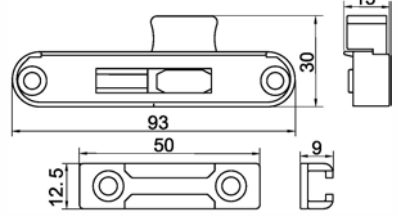

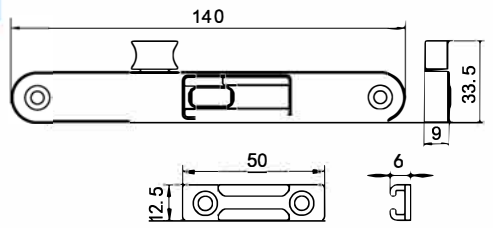
Sliding Series

	<p>PZSY001</p>  <ul style="list-style-type: none"> ◆ Concealde Knob ◆ Spindle specification:7x7 mm L=25.30.35.40.45 ◆ Please indicate the color while placing order.
	<p>PZSY003</p>  <ul style="list-style-type: none"> ◆ Concealde Knob ◆ Spindle specification:7x7 mm L=25.30.35.40.45 ◆ Please indicate the color while placing order
	<p>PYSL001(A=20) PYSL001A(A=26.5)</p>  <ul style="list-style-type: none"> ◆ Crescent Lock ◆ Left & Right ◆ Please indicate the color while placing order
	<p>PYSL002(A=20) PYSL002A(A=26.5)</p>  <ul style="list-style-type: none"> ◆ Crescent Lock ◆ Left & Right ◆ Please indicate the color while placing order
	<p>PYSL003</p>  <ul style="list-style-type: none"> ◆ Crescent Lock ◆ Left & Right ◆ Please indicate the color while placing order

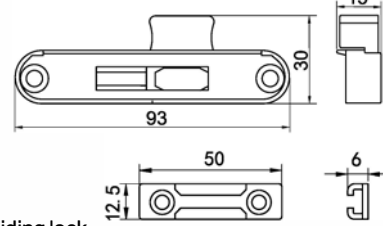

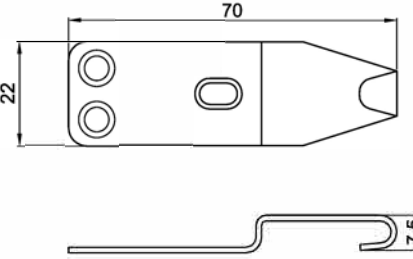

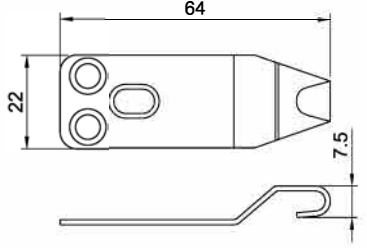

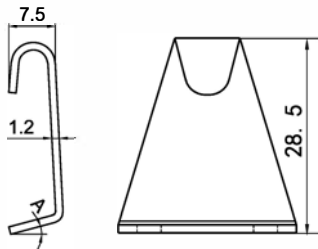

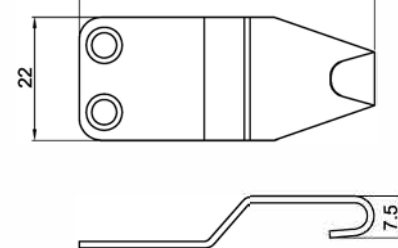

Sliding Series

	<p>PYSL004</p>  <ul style="list-style-type: none"> ◆ Crescent Lock ◆ Left & Right
	<p>PYSL004/I</p>  <ul style="list-style-type: none"> ◆ Crescent Lock ◆ Left & Right
	<p>PZDSL002</p>  <ul style="list-style-type: none"> ◆ Automatic Sliding Lock (Left & Right) ◆ Please indicate the color while placing order ◆ Including PSG001 lock hook
	<p>PZDSL003</p>  <ul style="list-style-type: none"> ◆ Automatic Sliding Lock (Left & Right) ◆ Please indicate the color while placing order ◆ Including PSG001 lock hook
	<p>PSDS004 PZDS004</p>  <ul style="list-style-type: none"> ◆ Manual / Automatic Sliding Lock ◆ Please indicate the color while placing order ◆ Excluding lock PZDS00119-02/PZSD00119-02A


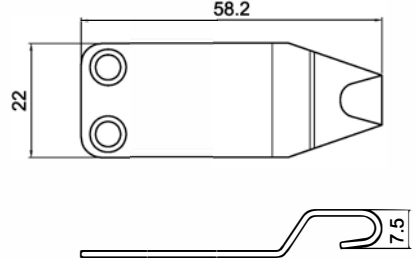

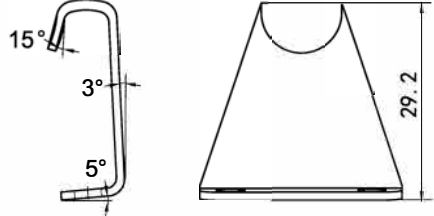

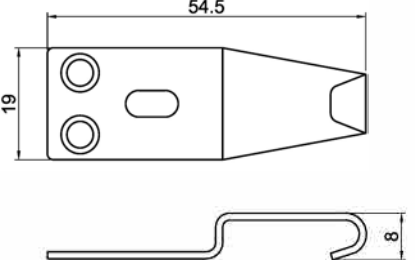

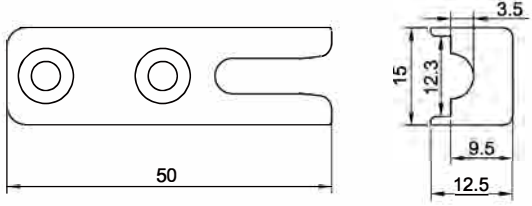

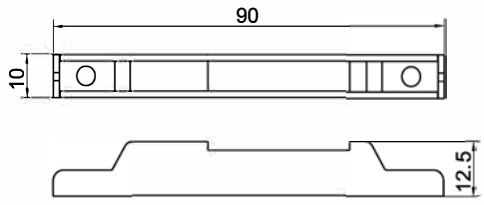
Sliding Series

	<p>PSDSS004</p>  <ul style="list-style-type: none"> ◆ Double Manual Sliding lock ◆ Please indicate the color while placing order, and screws should be ordered separately if needed ◆ Excluding lock PZDS00119-02/PZSD00119-02A
	<p>PZDSL005</p>  <ul style="list-style-type: none"> ◆ Automatic Sliding Lock (Left & Right) ◆ Please indicate the color while placing order ◆ Including lock hook
	<p>PZDSL006</p>  <ul style="list-style-type: none"> ◆ Automatic Sliding Lock (Left & Right) ◆ Please indicate the color while placing order ◆ Including lock hook
	<p>PDDS01</p>  <ul style="list-style-type: none"> ◆ Manual Sliding lock ◆ Please indicate the color while placing order ◆ The gap between sash and frame is 18mm
	<p>PDDS02</p>  <ul style="list-style-type: none"> ◆ Manual Sliding lock ◆ The gap between sash and frame is 12mm

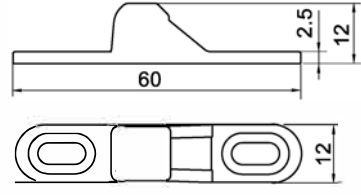

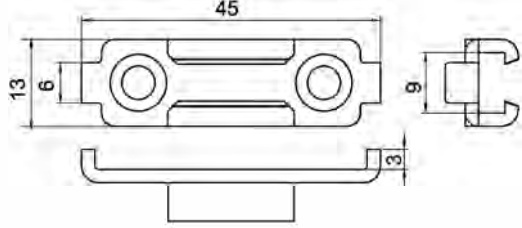

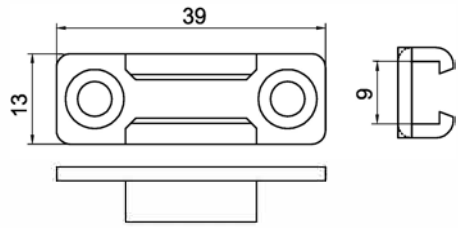

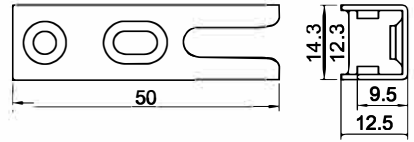

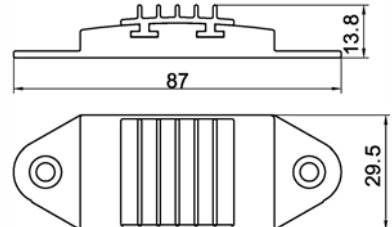

Sliding Series

	<p>PDDS03</p>  <ul style="list-style-type: none"> ◆ Manual Sliding lock ◆ Please indicate the color while placing order ◆ The gap between sash and frame is 14mm
	<p>PSGZ001A</p>  <ul style="list-style-type: none"> ◆ Lock Hook
	<p>PSG002A</p>  <ul style="list-style-type: none"> ◆ Lock Hook
	<p>PSG003(A=0°) PSG003/5(A=5°) PSG003/15(A=15°)</p>  <ul style="list-style-type: none"> ◆ Lock Hook
	<p>PSG004A</p>  <ul style="list-style-type: none"> ◆ Lock Hook


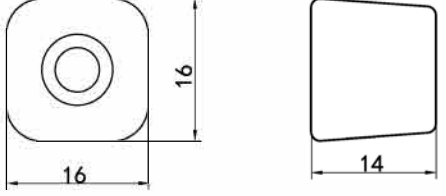

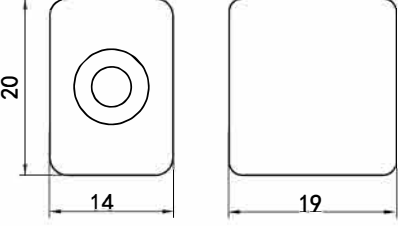

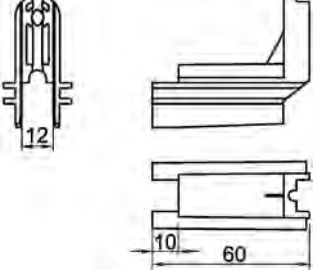

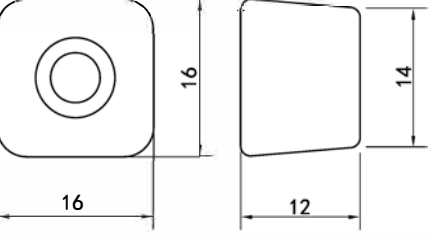

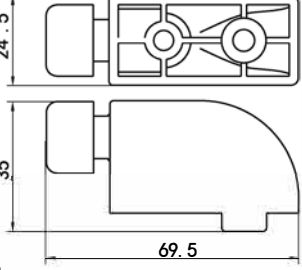
Sliding Series

	<p>PSG005A</p>  <p>◆ Lock Hook</p>
	<p>PSG006</p>  <p>◆ Lock Hook</p>
<p>NEW</p> 	<p>PSG007</p>  <p>◆ Lock Hook</p>
	<p>PSK003A</p>  <p>◆ Lock Seat</p>
	<p>PSK006</p>  <p>◆ Locking Plate</p>

Sliding Series

 <p>◆ Lock Seat</p>	
 <p>◆ Locking Plate</p>	
 <p>◆ Locking Plate</p>	
 <p>◆ Lock Seat</p>	<p>NEW</p> 
 <p>◆ Anti-theft Piece</p>	

Sliding Series

	<p>PFZK00102</p>  <p>◆ Anti-strike Block</p>
	<p>PFZK002</p>  <p>◆ Anti-strike Block</p>
	<p>PFZK003</p>  <p>◆ Anti-strike Block</p>
	<p>PFZK004</p>  <p>◆ Anti-strike Block</p>
	<p>FK-D</p>  <p>◆ Anti-strike Block</p>


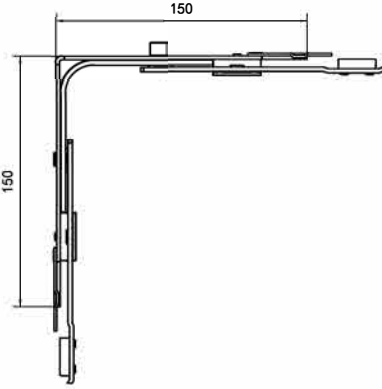
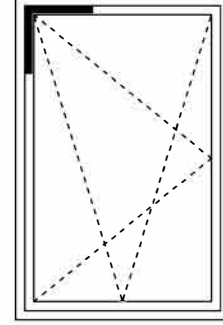

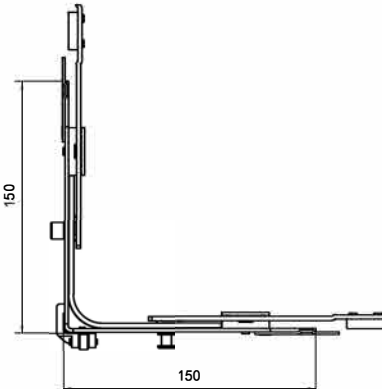
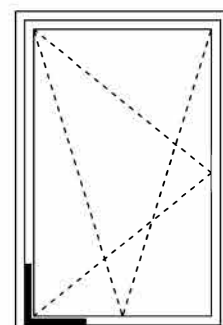

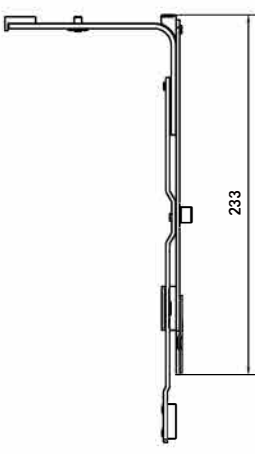
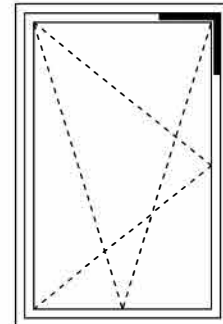
Corner Device, Connecting Rod, Linking Rod and Transmitter Series



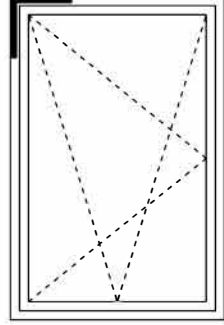
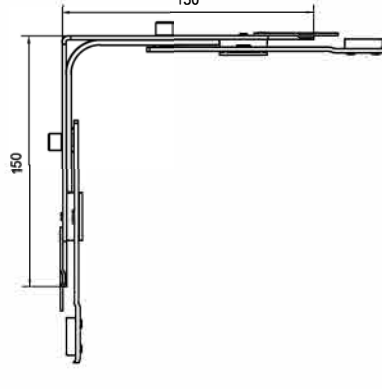

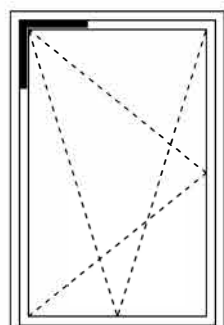
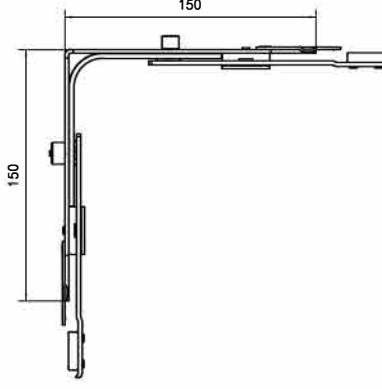

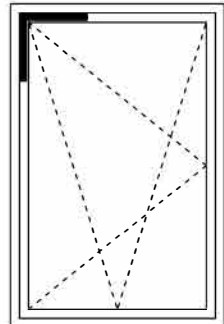
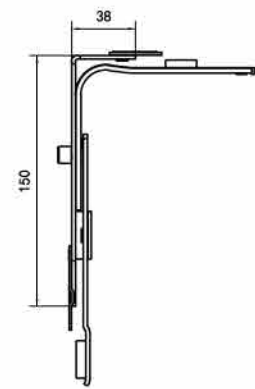

Rod and transmitter series Interpretation of transmitter code: **PCDQN47507-09**

P / CDQ / N / 4 / 75 / 07-09
 U groove / transmitter / open-in / serial number / central distance / applicable range
 door and window / 701-900mm

Corner Device Series

 <p>◆ Corner Device</p>	<p>PZJQ201</p> 	
 <p>◆ Corner Device</p>	<p>PZJQ202</p> 	
 <p>◆ Corner Device</p>	<p>PZJQ203</p> 	

Corner Device Series

	<p>PZJQ204</p> 	 <p>◆ Corner Device</p>
	<p>PZJQ205</p> 	 <p>◆ Corner Device</p>
	<p>PZJQ006</p> 	 <p>◆ Corner Device</p>

Connecting Rod / Linking Rod Series

Connecting Rod(Turn-and-Tilt Window Series)			
<ul style="list-style-type: none"> ◆ Left&Right ◆ Connecting rod not include outer cover PHYSN002-03A,outer cover needs to be ordered seperately ◆ The minimum width of the sash can be 320mm if choose the corner device PZJQ006. 			
Applicable width	Series Code	Applicable width	Series Code
430 - 600	PLGNXR10904-06	430 - 600	PLGNXR11304-06
601 - 800	PLGNXR10906-08	601 - 800	PLGNXR11306-08
801 - 1000	PLGNXR10908-10	801 - 1000	PLGNXR11308-10

Connecting Rod(Tilt-and-Turn Window Series)			
<ul style="list-style-type: none"> ◆ Left&Right ◆ Connector rod not include outer cover PHYSN002-03A,outer cover should be placed separate order ◆ The minimum width of the sash can be 320mm if choose the corner device PZJQ006. 			
Applicable width	Series Code	Applicable width	Series Code
430 - 600	PLGXNR10904-06	430 - 600	PLGXNR11304-06
601 - 800	PLGXNR10906-08	601 - 800	PLGXNR11306-08
801 - 1000	PLGXNR10908-10	801 - 1000	PLGXNR11308-10

Side Transmission Rod			
Applicable Height	Length of rod	Quantity of locking point	Series Code
Selective	398	1	PBCDG004
Selective	498	1	PBCDG005
Selective	598	1	PBCDG006
Selective	798	2	PBCDG008

Linking Rod			
Applicable Height	Length of rod	Quantity of locking point	Series Code
1200 -1500	400	1	PLJG012-15B
1500 - 1800	550	1	PLJG015-18B

Socket Series

Socket	PCXGN012	Spanner	PYBS001



Linking Rod			
Applicable Height	Length of rod	Quantity of locking point	Series Code
1200 -2300	200	0	PLJGN012-23B

Socket Rod(Double-leaf window with fake mullion)		
Applicable Height	Length of rod	Series Code
1200 -1500	1095	PCXGN012-15A
1500-1900	1495	PCXGN015-19A
1900-2300	1895	PCXGN019-23A

Concealed Socket Rod(Double-leaf window with fake mullion)		
Applicable Height	Length of rod	Series Code
1200 -1500	1095	PCXGNY012-15A
1500-1900	1495	PCXGNY015-19A
1900-2300	1895	PCXGNY019-23A

Transmitter Series

Centre to Centre distance is 7.5mm


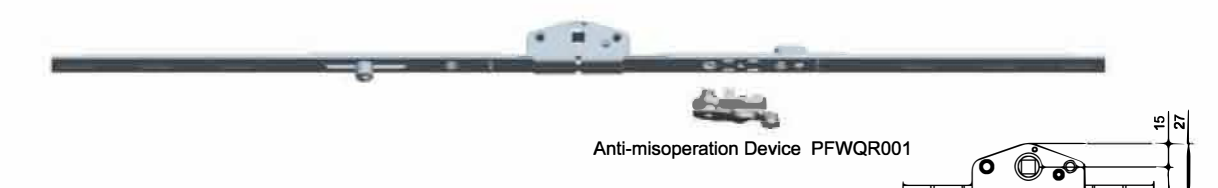
 

Anti-misoperation Device PFWQR001

Transmitter not include Anti-misoperation device, anti-misoperation device needs to be ordered separately and has left and right type.

Applicable Height	Length of rod	Quantity of locking point	Series Code	Remarks
570-730	428	0	PCDQN47505-07	Integrated Type
700-900	596	1	PCDQN47507-09	
901-1200	896	1	PCDQN47509-12	
1201-1600	1296	1	PCDQN47512-16	Split Type
1201-1800	392	0	PCDQN47512-18	

Centre to Centre distance is 15mm



Anti-misoperation Device PFWQR001




Transmitter not include Anti-misoperation device, anti-misoperation device needs to be ordered separately and has left and right type.

Applicable Height	Length of rod	Quantity of locking point	Series Code	Remarks
490-730	434	0	PCDQN41505-07	Integrated Type
700-900	602	1	PCDQN41507-09	
901-1200	902	1	PCDQN41509-12	
1201-1600	1302	1	PCDQN41512-16	Split Type
1201-1800	398	0	PCDQN41512-18	



Transmitter Series




Centre to Centre distance is 7.5mm

Applicable Height	Length of rod	Quantity of locking point	Series Code			Remarks
			Inward 	Micro-ventilation 	Sliding 	
400-600	350	2	PCDQND47504	PCDQT47504	PCDQFD47504	Single side Type
601-800	580	2	PCDQND47506	PCDQT47506	PCDQFD47506	
801-1000	780	2	PCDQND47508	PCDQT47508	PCDQFD47508	
1001-1200	980	3	PCDQND47510	PCDQT47510	PCDQFD47510	
1201-1400	1180	3	PCDQND47512	PCDQT47512	PCDQFD47512	
1401-1600	1380	4	PCDQND47514	PCDQT47514	PCDQFD47514	
1601-1800	1580	4	PCDQND47516	PCDQT47516	PCDQFD47516	
1801-2000	1780	4	PCDQND47518	PCDQT47518	PCDQFD47518	
2001-2200	1980	4	PCDQND47520	PCDQT47520	PCDQFD47520	



Centre to Centre distance is 15mm

Applicable Height	Length of rod	Quantity of locking point	Series Code			Remarks
			Inward 	Micro-ventilation 	Sliding 	
400-600	356	2	PCDQND41504	PCDQT41504	PCDQFD41504	Single side Type
601-800	586	2	PCDQND41506	PCDQT41506	PCDQFD41506	
801-1000	786	2	PCDQND41508	PCDQT41508	PCDQFD41508	
1001-1200	986	3	PCDQND41510	PCDQT41510	PCDQFD41510	
1201-1400	1186	3	PCDQND41512	PCDQT41512	PCDQFD41512	
1401-1600	1386	4	PCDQND41514	PCDQT41514	PCDQFD41514	
1601-1800	1586	4	PCDQND41516	PCDQT41516	PCDQFD41516	
1801-2000	1786	4	PCDQND41518	PCDQT41518	PCDQFD41518	
2001-2200	1986	4	PCDQND41520	PCDQT41520	PCDQFD41520	

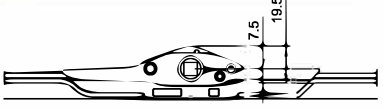
Transmitter Series

Centre to Centre distance is 7.5mm



Micro-ventilation device
PCDQAF475K09/13

Transmitter does not include Micro-ventilation device, It needs to be ordered separately



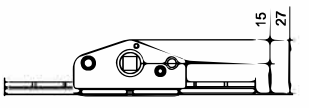
Applicable Height	Length of rod	Quantity of locking point	Series Code	Remarks
801-1000	780	2	PCDQAF47508	Safety & Micro-ventilation
1001-1200	980	3	PCDQAF47510	
1201-1400	1180	3	PCDQAF47512	

Centre to Centre distance is 15mm

Micro-ventilation device
PCDQAF475K09/13


Transmitter does not include Micro-ventilation device, It needs to be ordered separately



Applicable Height	Length of rod	Quantity of locking point	Series Code	Remarks
801-1000	786	2	PCDQAF41508	Safety & Micro-ventilation
1001-1200	986	3	PCDQAF41510	
1201-1400	1186	3	PCDQAF41512	


Transmitter Series

Centre to Centre distance is 7.5mm




Anti-misoperation Device PFWQR001

Transmitter not include Anti-misoperation device, anti-misoperation device needs to be ordered separately and has left and right type.



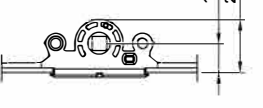
Applicable Height	Length of rod	Quantity of locking point	Series Code	Remarks
700-900	596	1	PCDQN07507-09A	Integrated Type
901-1200	896	1	PCDQN07509-12A	
1201-1600	1296	1	PCDQN07512-16A	
1201-1800	392	0	PCDQN07512-18A	Split Type

Centre to Centre distance is 15mm



Anti-misoperation Device PFWQR001


Transmitter not include Anti-misoperation device, anti-misoperation device needs to be ordered separately and has left and right type.






Applicable Height	Length of rod	Quantity of locking point	Series Code	Remarks
700-900	602	1	PCDQN01507-09A	Integrated Type
901-1200	902	1	PCDQN01509-12A	
1201-1600	1302	1	PCDQN01512-16A	
1201-1800	398	0	PCDQN01512-18A	Split Type


Transmitter Series




Centre to Centre distance is 15mm



Applicable Height	Length of rod	Quantity of locking point	Series Code			Remarks
			Inward 	Sliding 	Anti-theft 	
400-600	356	2	PCDQND01504	PCDQT01504	PCDQFD11504	Single side Type
601-800	586	2	PCDQND01506	PCDQT01506	PCDQFD11506	
801-1000	786	2	PCDQND01508	PCDQT01508	PCDQFD11508	
1001-1200	986	3	PCDQND01510	PCDQT01510	PCDQFD11510	
1201-1400	1186	3	PCDQND01512	PCDQT01512	PCDQFD11512	
1401-1600	1386	4	PCDQND01514	PCDQT01514	PCDQFD11514	
1601-1800	1586	4	PCDQND01516	PCDQT01516	PCDQFD11516	
1801-2000	1786	4	PCDQND01518	PCDQT01518	PCDQFD11518	
2001-2200	1986	4	PCDQND01520	PCDQT01520	PCDQFD11520	


Centre to Centre distance is 7.5mm



Applicable Height	Length of rod	Quantity of locking point	Series Code			Remarks
			Inward 	Sliding 	Anti-theft 	
400-600	350	2	PCDQND07504	PCDQT07504	PCDQFD17504	Single side Type
601-800	580	2	PCDQND07506	PCDQT07506	PCDQFD17506	
801-1000	780	2	PCDQND07508	PCDQT07508	PCDQFD17508	
1001-1200	980	3	PCDQND07510	PCDQT07510	PCDQFD17510	
1201-1400	1180	3	PCDQND07512	PCDQT07512	PCDQFD17512	
1401-1600	1380	4	PCDQND07514	PCDQT07514	PCDQFD17514	
1601-1800	1580	4	PCDQND07516	PCDQT07516	PCDQFD17516	
1801-2000	1780	4	PCDQND07518	PCDQT07518	PCDQFD17518	
2001-2200	1980	4	PCDQND07520	PCDQT07520	PCDQFD17520	


Transmitter Series



Centre to Centre distance is 7.5mm



Applicable Height	Length of rod	Quantity of locking point	Series Code	Remarks
601-800	580	2	PCDQS07506	Double-action Transmitter
801-1000	780	2	PCDQS07508	
1001-1200	980	3	PCDQS07510	
1201-1400	1180	3	PCDQS07512	
1401-1600	1380	4	PCDQS07514	

Centre to Centre distance is 20mm



Applicable Height	Length of rod	Quantity of locking point	Series Code		Remarks
			Inward 	Sliding 	
400-600	356	2	PCDQWD02004	PCDQT02004	Single side Type
601-800	586	2	PCDQWD02006	PCDQT02006	
801-1000	786	2	PCDQWD02008	PCDQT02008	
1001-1200	986	3	PCDQWD02010	PCDQT02010	
1201-1400	1186	3	PCDQWD02012	PCDQT02012	
1401-1600	1386	4	PCDQWD02014	PCDQT02014	
1601-1800	1586	4	PCDQWD02016	PCDQT02016	
1801-2000	1786	4	PCDQWD02018	PCDQT02018	
2001-2200	1986	4	PCDQWD02020	PCDQT02020	

Transmitter Series

Centre to Centre distance is 20mm

Applicable Height	Length of rod	Quantity of locking point	Series Code		Remarks
			Inward	Sliding	
400-600	353	2	PCDQWD02204	PCDQT02204	Single side Type
601-800	583	2	PCDQWD02206	PCDQT02206	
801-1000	783	2	PCDQWD02208	PCDQT02208	
1001-1200	983	3	PCDQWD02210	PCDQT02210	
1201-1400	1183	3	PCDQWD02212	PCDQT02212	
1401-1600	1383	4	PCDQWD02214	PCDQT02214	
1601-1800	1583	4	PCDQWD02216	PCDQT02216	
1801-2000	1783	4	PCDQWD02218	PCDQT02218	
2001-2200	1983	4	PCDQWD02220	PCDQT02220	

Transmitter Series

Centre to Centre distance is 25mm

Applicable Height	Length of rod	Quantity of locking point	Series Code		Remarks
			Inward	Sliding	
400-600	356	2	PCDQWD02504	PCDQT02504	Single side Type
601-800	586	2	PCDQWD02506	PCDQT02506	
801-1000	786	2	PCDQWD02508	PCDQT02508	
1001-1200	986	3	PCDQWD02510	PCDQT02510	
1201-1400	1186	3	PCDQWD02512	PCDQT02512	
1401-1600	1386	4	PCDQWD02514	PCDQT02514	
1601-1800	1586	4	PCDQWD02516	PCDQT02516	
1801-2000	1786	4	PCDQWD02518	PCDQT02518	
2001-2200	1986	4	PCDQWD02520	PCDQT02520	

Centre to Centre distance is 12mm/20mm(Applicable to sliding window/door)

Length of rod	Quantity of locking point	Series Code		Series Code		Remarks
		Sliding I	Sliding II	Sliding I	Sliding II	
600	2	PCDQ01206/ I	PCDQ02006/ I	PCDQ01206/ II	PCDQ02006/ II	Single side Type
800	2	PCDQ01208/ I	PCDQ02008/ I	PCDQ01208/ II	PCDQ02008/ II	
1000	3	PCDQ01210/ I	PCDQ02010/ I	PCDQ01210/ II	PCDQ02010/ II	
1200	3	PCDQ01212/ I	PCDQ02012/ I	PCDQ01212/ II	PCDQ02012/ II	
1400	3	PCDQ01214/ I	PCDQ02014/ I	PCDQ01214/ II	PCDQ02014/ II	

Centre to Centre distance is 30mm

Applicable Height	Length of rod	Quantity of locking point	Series Code		Remarks
			Inward	Sliding	
400-600	356	2	PCDQWD03004	PCDQT03004	Single side Type
601-800	586	2	PCDQWD03006	PCDQT03006	
801-1000	786	2	PCDQWD03008	PCDQT03008	
1001-1200	986	3	PCDQWD03010	PCDQT03010	
1201-1400	1186	3	PCDQWD03012	PCDQT03012	
1401-1600	1386	4	PCDQWD03014	PCDQT03014	
1601-1800	1586	4	PCDQWD03016	PCDQT03016	
1801-2000	1786	4	PCDQWD03018	PCDQT03018	
2001-2200	1986	4	PCDQWD03020	PCDQT03020	

Transmitter Series

Centre to Centre distance is 25mm					
Applicable Height	Length of rod	Quantity of locking point	Centre	Series Code	Remarks
1800-2200	1786	4	25mm	PMCDQSS02518	Integrated Type
2000-2400	1986	4		PMCDQSS02520	

Centre to Centre distance is 30/35mm				
Applicable Height	Length of rod	Quantity of locking point	Series Code	Remarks
1600-2800	800	2	PMCDQS23008	Split type
1600-2800	800	2	PMCDQS23508	

Centre to Centre distance is 30/35mm				
Applicable Height	Length of rod	Quantity of locking point	Series Code	Remarks
1600-2800	800	2	PMCDQSS23008	Split type
1600-2800	800	2	PMCDQSS23508	

Transmitter Series

Centre to Centre distance is 30/35mm					
Applicable Height	Length of rod	Quantity of locking point	Centre	Series Code	Remarks
1800-2200	1786	4	30mm	PMCDQS03018	Integrated Type
2000-2400	1986	4		PMCDQS03020	
1800-2200	1786	4	35mm	PMCDQS03518	
2000-2400	1986	4		PMCDQS03520	

Centre to Centre distance is 30/35mm					
Applicable Height	Length of rod	Quantity of locking point	Centre	Series Code	Remarks
1800-2200	1786	4	30mm	PMCDQSS03018	Integrated Type
2000-2400	1986	4		PMCDQSS03020	
1800-2200	1786	4	35mm	PMCDQSS03518	
2000-2400	1986	4		PMCDQSS03520	

Transmitter Series

Centre to Centre distance is 40/45mm



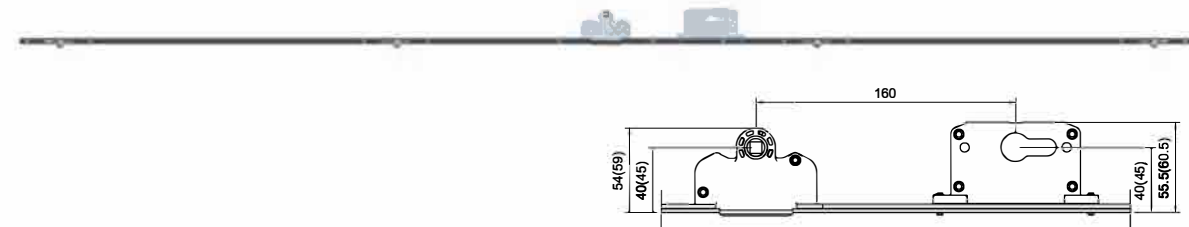
Applicable Height	Length of rod	Quantity of locking point	Centre	Series Code	Remarks
1800-2200	1786	4	40mm	PMCDQSS14018	Integrated Type
2000-2400	1986	4		PMCDQSS14020	
1800-2200	1786	4	45mm	PMCDQSS14518	
2000-2400	1986	4		PMCDQSS14520	

Centre to Centre distance is 40/45mm



Applicable Height	Length of rod	Quantity of locking point	Centre	Series Code	Remarks
1800-2200	1786	4	40mm	PMCDQS24018	Integrated Type
2000-2400	1986	4		PMCDQS24020	
1800-2200	1786	4	45mm	PMCDQS24518	
2000-2400	1986	4		PMCDQS24520	

Centre to Centre distance is 40/45mm



Applicable Height	Length of rod	Quantity of locking point	Centre	Series Code	Remarks
1800-2200	1786	4	40mm	PMCDQSS24018	Integrated Type
2000-2400	1986	4		PMCDQSS24020	
1800-2200	1786	4	45mm	PMCDQSS24518	
2000-2400	1986	4		PMCDQSS24520	

Transmitter Series

Centre to Centre distance is 30/35/50mm



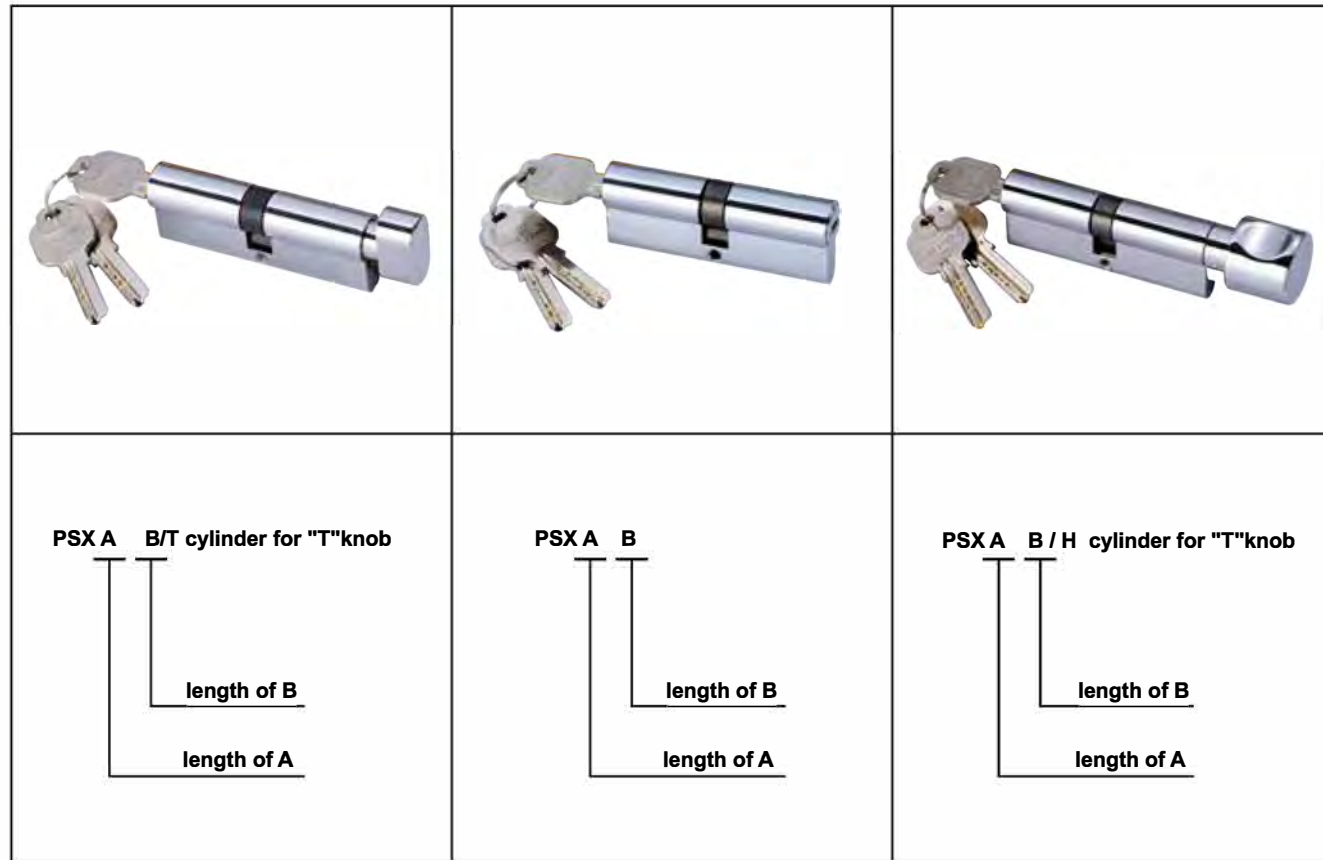
Applicable Height	Length of rod	Series Code	Remarks
1400-2800	300	PMS30/II	For singlepoint
1400-2800	300	PMS35/II	
1400-2800	300	PMS50/II	
1400-2800	300	PMS9235/II	

Centre to Centre distance is 30/35/50mm

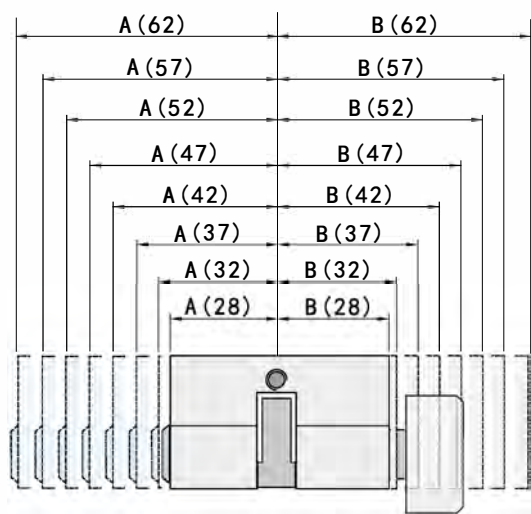


Applicable Height	Length of rod	Series Code	Remarks
1400-2800	390	PMS30/IA	For multi-point
1400-2800	390	PMS35/IA	
1400-2800	390	PMS50/IA	

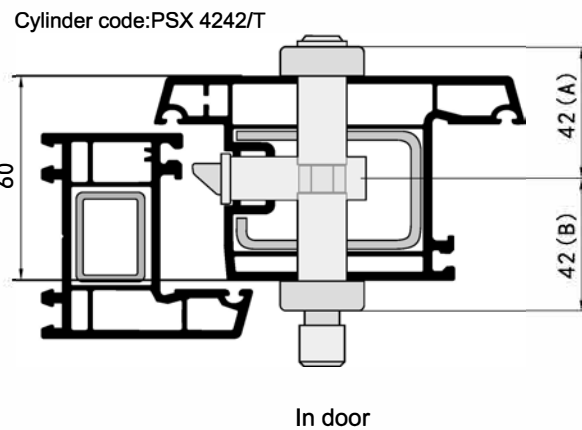
Cylinder Series



Cylinder Specification



Install Instruction



Instructions

A is for the space from the key to cylinder center .
B is for the space from the knob to cylinder center .

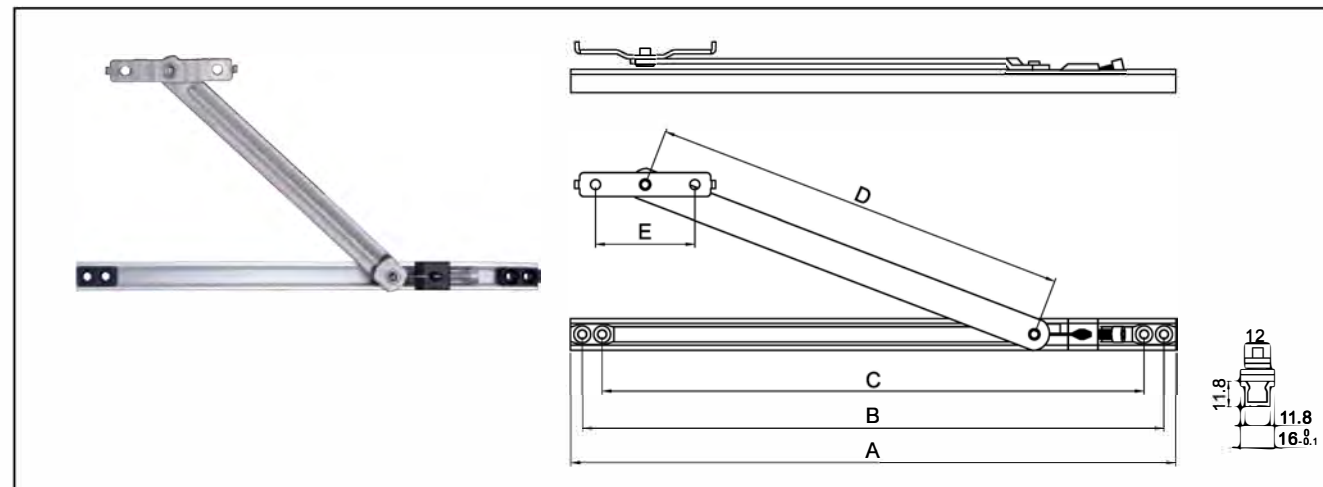
Solution to high quality transmitter



Transmitter-475/415 series

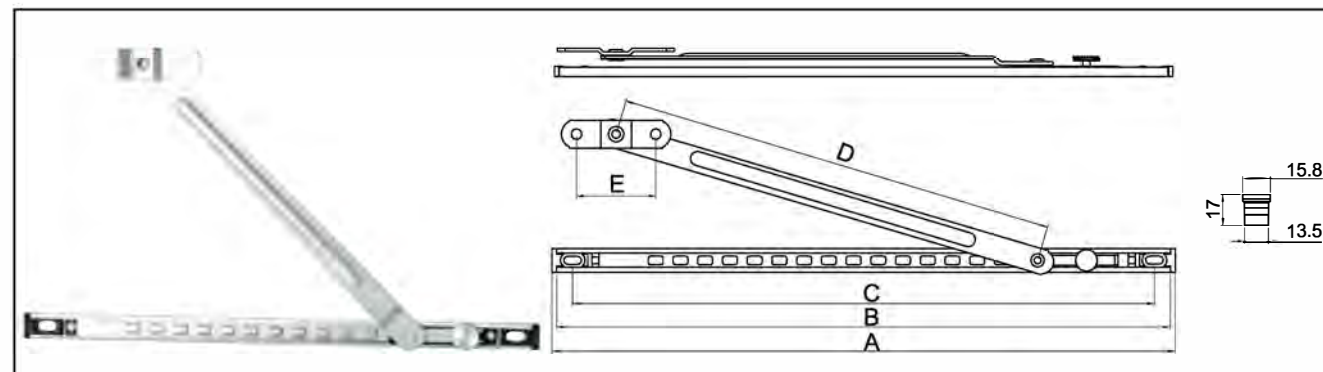
- ◆ **Upgraded strength** Break through industry standard of anti-torque more than 2 times.
- ◆ **Smooth transmission** Optimize the cooperation gap between the accessories and reduce the friction of them.
- ◆ **Accurate position** Slot positioning structure can reduce the error and improve over-transmission problem.
- ◆ **Easy installation** chamfer added on the outer cover makes it simple to match with the profile.
- ◆ **Multi-function** Diverse locking point can achieve functions like side-hung opening, sliding, ventilation, anti-thief and etc. to meet more demands.

Limiter Series



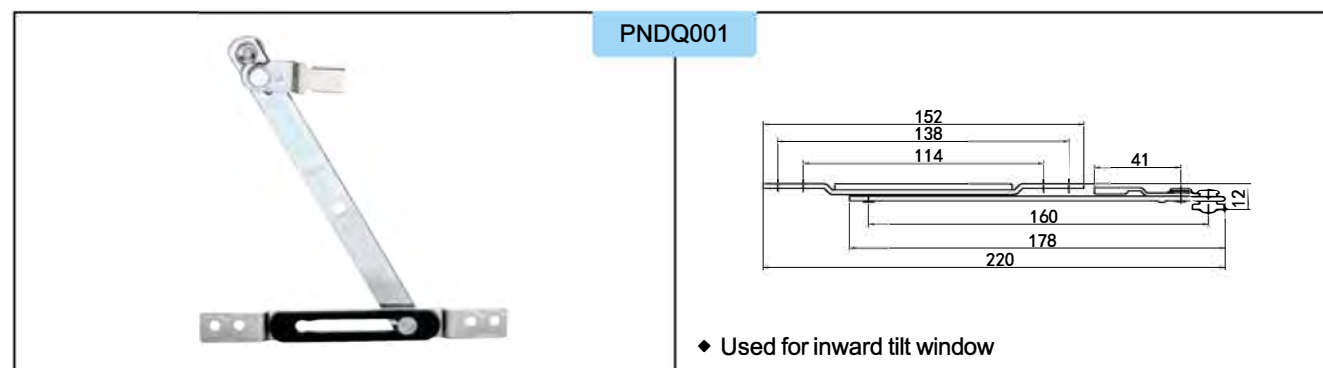
Assembly dimension(Unit :mm)

Type	A	B	C	D	E
PFC040008	203	191	171	116	50
PFC040010	254	242	222	165	50
PFC040012	305	293	273	210	50
PFC040014	356	344	324	255	50
PFC040016	356	344	324	290	50



Assembly dimension(Unit :mm)

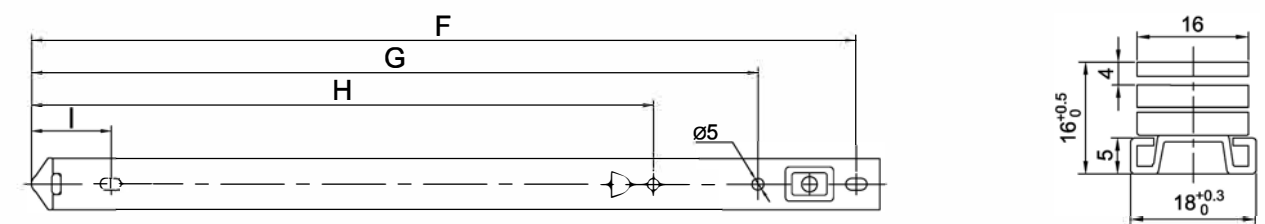
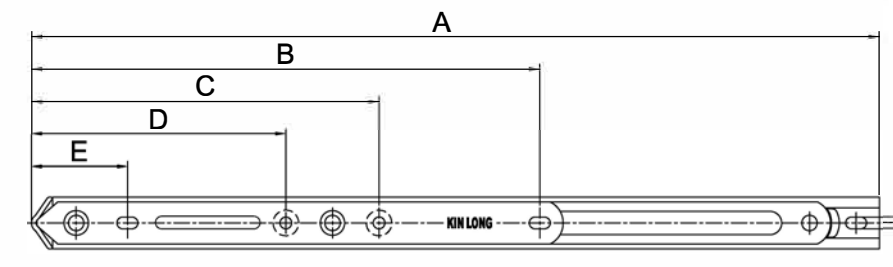
Type	A	B	C	D	E
PFC050010	261.5	254.5	238	190	45
PFC050012	365	358	341.5	210	45



PHC10 Series

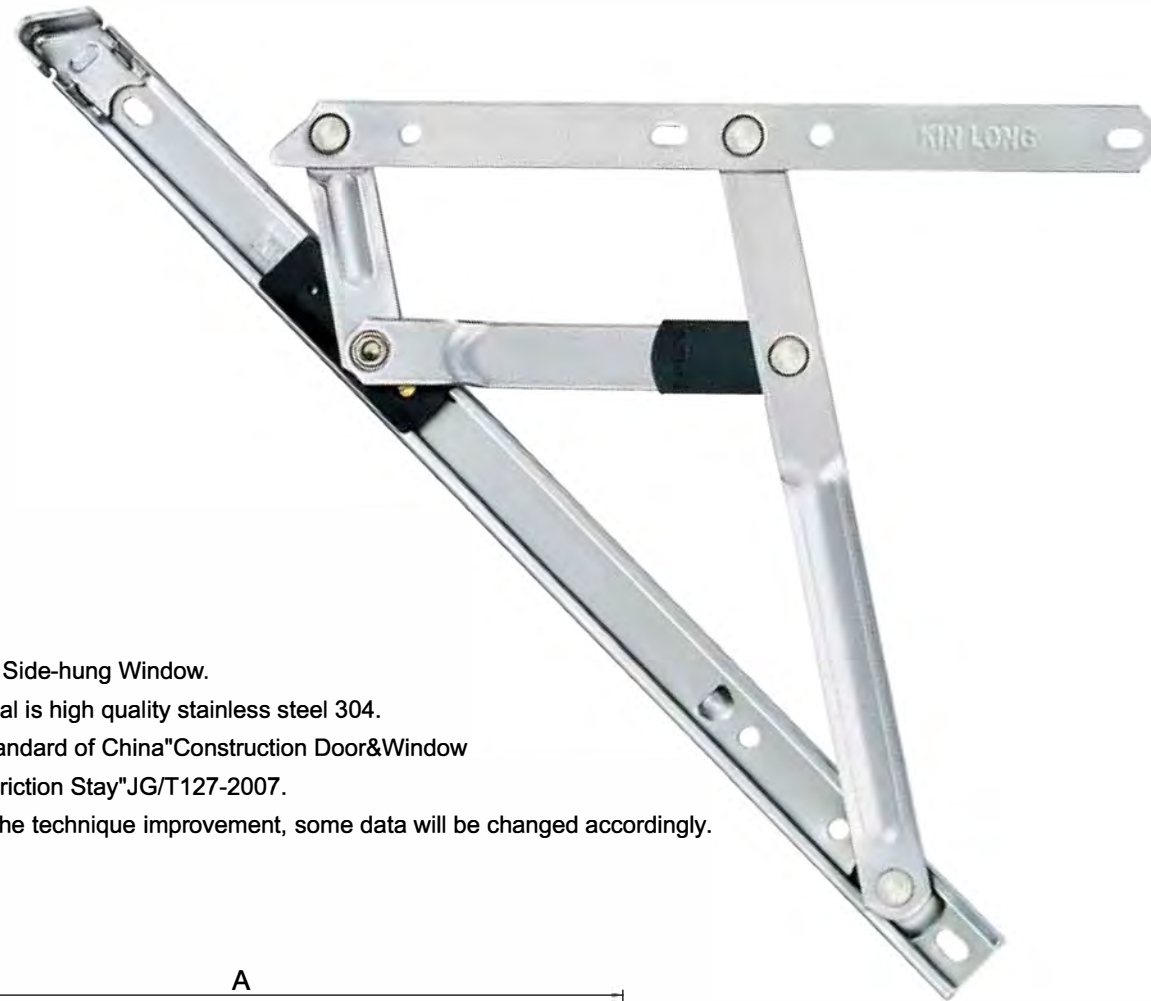


- ◆ Suitable for Side-hung Window.
- ◆ Main material is high quality stainless steel 304.
- ◆ Different product specifications will cause slightly difference on the structure, the picture is for the product in 14".
- ◆ Meet the standard of China"Construction Door&Window Hardware Friction Stay"JG/T127-2007.
- ◆ Along with the technique improvement, some data will be changed accordingly.

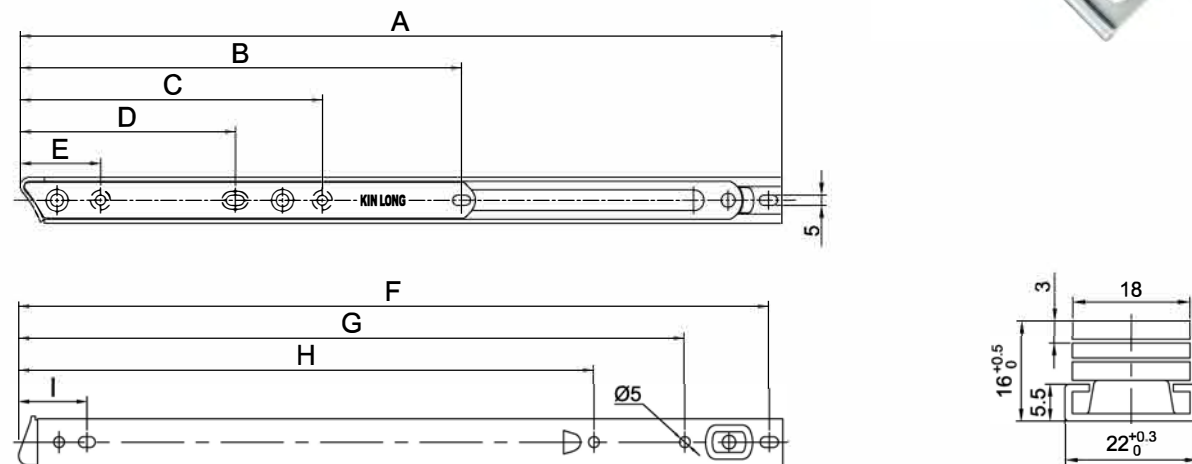


Type	Assembly Dimension Unit(mm)									Technical Parameter			
	A	B	C	D	E	F	G	H	I	Max. Window Height (mm)	Max. Window Width (mm)	Max. Window Weight (Kg)	Max. Opening Angle
PHC10-12"	304	191	126	83	38	297	260	220	31	1300	500	17.5	87°
PHC10-14"	355	214	147	103	38	347	305	251	31	1400	600	21.5	87°
PHC10-16"	406	242	172	126	38	399	356	288	31	1500	650	25.5	87°

PHC0200 Series (left & right)



- ◆ Suitable for Side-hung Window.
- ◆ Main material is high quality stainless steel 304.
- ◆ Meet the standard of China"Construction Door&Window Hardware Friction Stay"JG/T127-2007.
- ◆ Along with the technique improvement, some data will be changed accordingly.

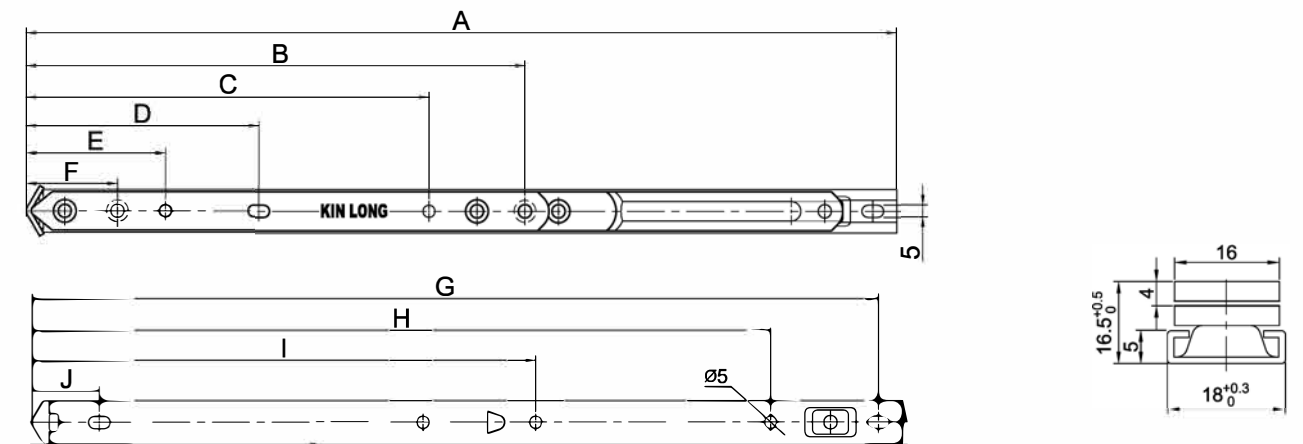


Assembly Dimension Unit(mm)										Technical Parameter			
Type	A	B	C	D	E	F	G	H	I	Max. Window Height (mm)	Max. Window Width (mm)	Max. Window Weight (Kg)	Max. Opening Angle
PHC0200-12"	322	213	133	91	40	313	271	224	35	1400	500	25	75°
PHC0200-14"	359	230	150	108	40	350	308	274	35	1500	600	28	87°
PHC0200-16"	409	252	172	130	40	400	358	308	35	1600	700	33	87°
PHC0200-18"	458	274	194	152	40	450	408	340	35	1700	750	38	87°

HC610 Series



- ◆ Suitable for Top-hung Window.
- ◆ Main material is high quality stainless steel 304.
- ◆ Different product specifications will cause slightly difference on the structure, the picture is for the product in 14".
- ◆ Meet the standard of China"Construction Door&Window Hardware Friction Stay"JG/T127-2007.
- ◆ Along with the technique improvement, some data will be changed accordingly.

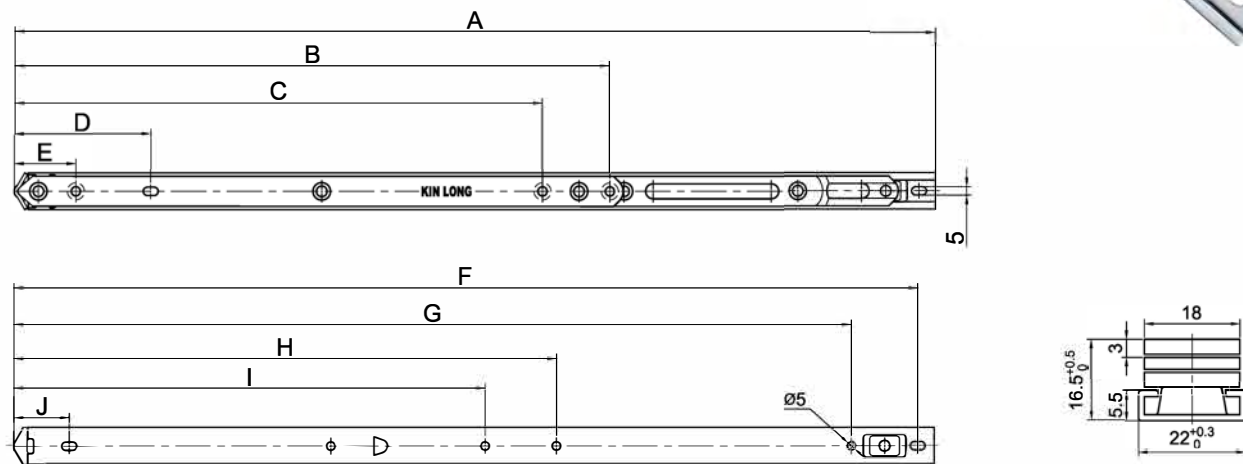


Assembly Dimension Unit(mm)											Technical Parameter			
Type	A	B	C	D	E	F	G	H	I	J	Max. Window Height (mm)	Max. Window Width (mm)	Max. Window Weight (Kg)	Max. Opening Angle
HC610-8"	212	116	--	74	--	38	201	--	162	28	550	1000	17	40°
HC610-10"	262	146	--	102	--	38	251	--	196	28	650	1050	23	40°
HC610-12"	312	177	137	80	58	38	302	257	177	28	750	1100	29	30°
HC610-14"	363	208	168	97	58	38	353	308	210	28	850	1150	34	25°/30°
HC610-16"	414	239	199	100	58	38	404	359	222	28	950	1200	39	25°/30°

FJ600A Series



- ◆ Suitable for Top-hung Window.
- ◆ Main material is high quality stainless steel 304.
- ◆ Different product specifications will cause slightly difference on the structure, the picture is for the product in 16".
- ◆ Meet the standard of China"Construction Door&Window Hardware Friction Stay"JG/T127-2007.
- ◆ Along with the technique improvement, some data will be changed accordingly.



Assembly Dimension Unit(mm)											Technical Parameter			
Type	A	B	C	D	E	F	G	H	I	J	Max. Window Height (mm)	Max. Window Width (mm)	Max. Window Weight (Kg)	Max. Opening Angle
FJ600A-12"	314	179	134	79	41	304	264	--	200	34	800	1100	55	30°
FJ600A-14"	365	209	164	104	41	354	314	--	240	34	1000	1200	65	25°/30°
FJ600A-16"	415	240	195	104	41	405	355	--	240	34	1200	1300	80	25°/30°
FJ600A-18"	466	279	236	95	40	456	416	228	250	34	1400	1400	100	20°/25°


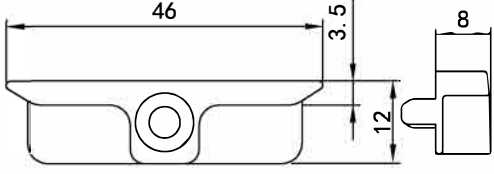

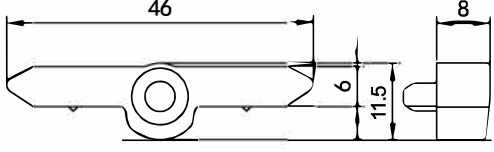

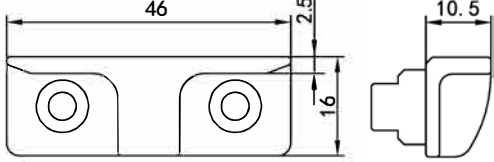

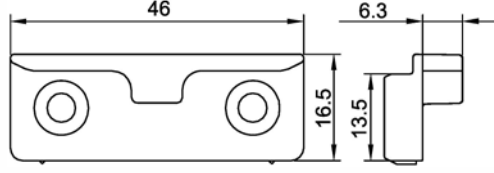

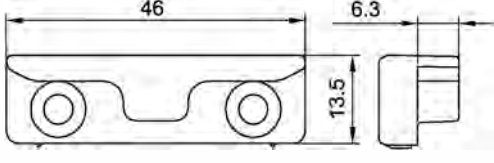
Frame Accessory Series



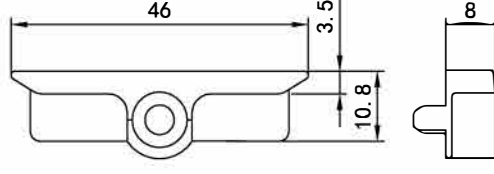
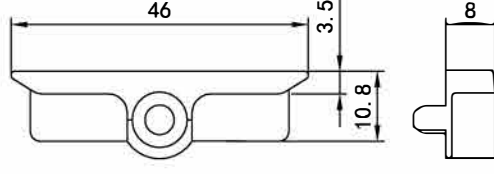
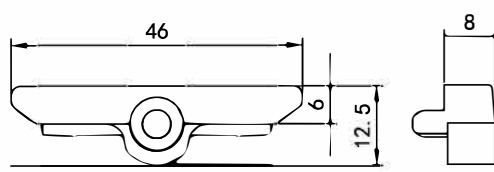
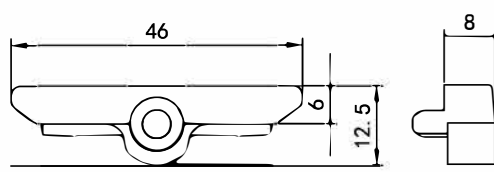
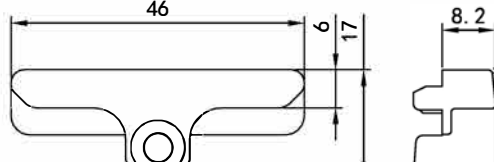
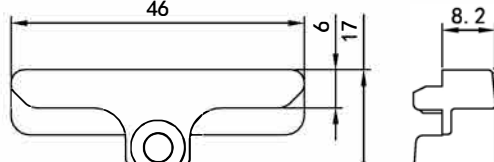
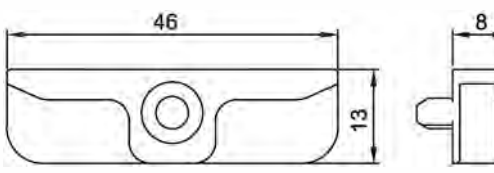
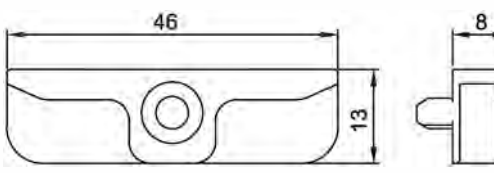
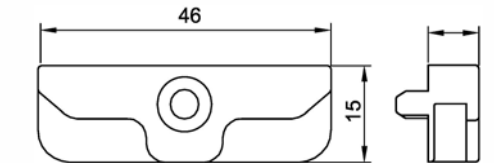
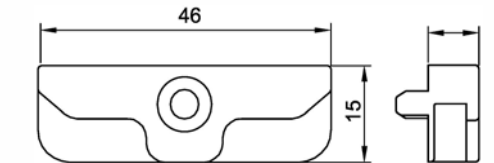
Interpretation of Locking plate code: PSK00109

P / SK / 001 / 09
 U groove / locking plate / serial number / 9 series
 door and window


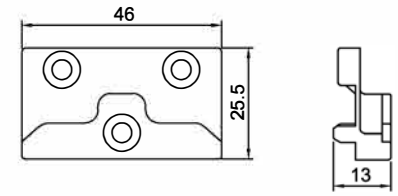

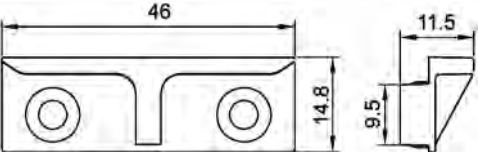

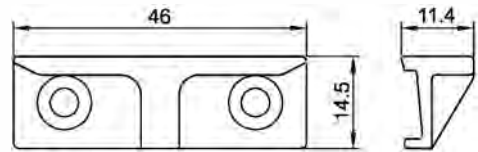

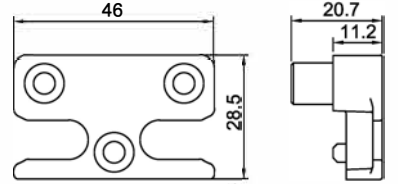

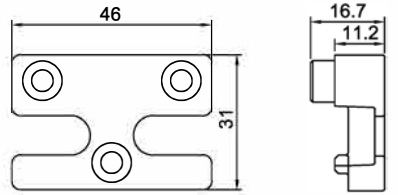
Frame Accessory Series

	<p>PSK00109</p>  <p>◆ Locking Plate</p>
	<p>PSK00113A</p>  <p>◆ Locking Plate</p>
	<p>PSK104</p>  <p>◆ Locking Plate ◆ Suitable for U-groove fake mullion profile with</p>
	<p>PSK10609</p>  <p>◆ Locking Plate ◆ Suitable for C- groove profile</p>
	<p>PSK10613</p>  <p>◆ Locking Plate ◆ Suitable for C- groove profile</p>

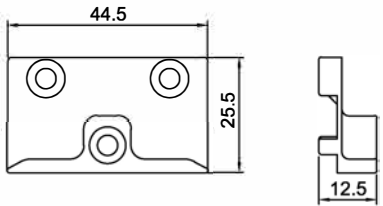

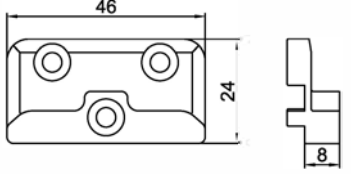

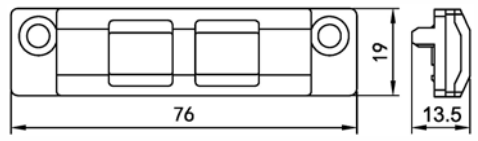

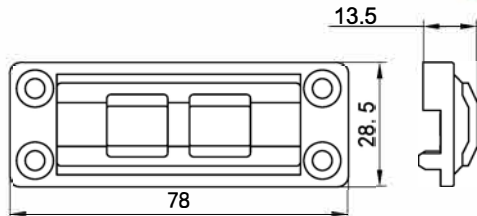

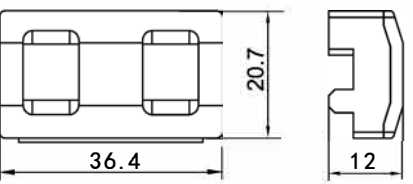

Frame Accessory Series

	<p>PSK00709</p>  <p>◆ Locking Plate</p>
	<p>PSK00713</p>  <p>◆ Locking Plate</p>
	<p>PSK00913</p>  <p>◆ Locking Plate</p>
	<p>PSKFD00209</p>  <p>◆ Anti-thief locking plate</p>
	<p>PSKFD00213</p>  <p>◆ Anti-thief locking plate</p>


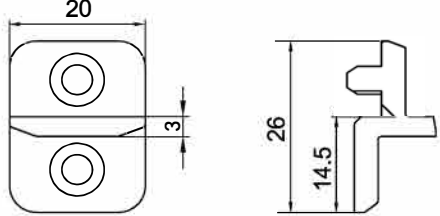

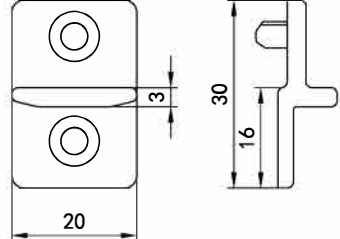

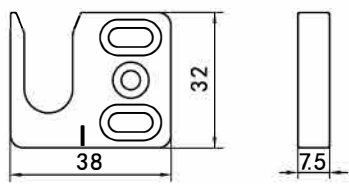

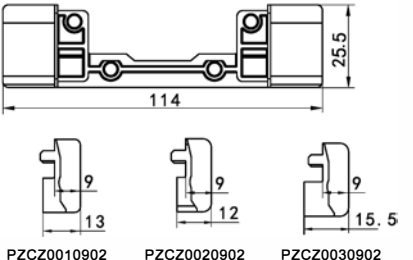

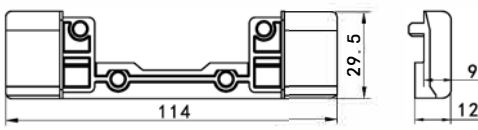
Frame Accessory Series

 <p>NEW</p>	<p>PSKFD00313</p>  <p>◆ Anti-thief locking plate</p>
	<p>PSK01009</p>  <p>◆ Locking Plate</p>
	<p>PSK01109</p>  <p>◆ Locking Plate</p>
 <p>NEW</p>	<p>PSK01709</p>  <p>◆ Locking Plate</p>
 <p>NEW</p>	<p>PSK01713</p>  <p>◆ Locking Plate</p>

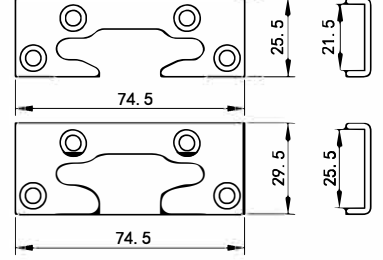
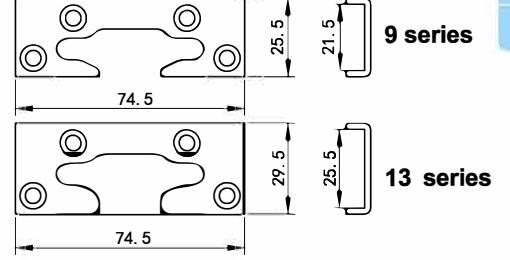
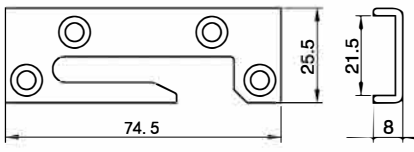
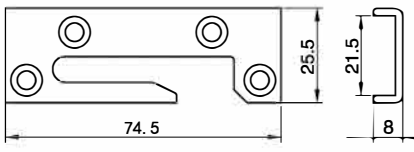
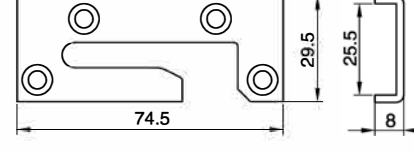
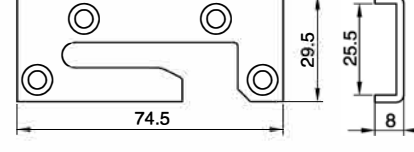
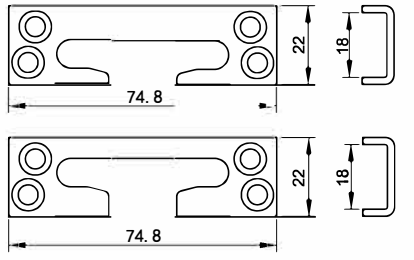
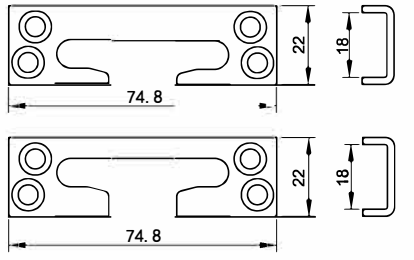
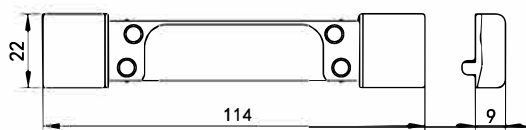
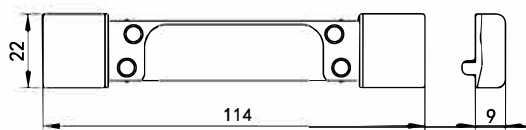
Frame Accessory Series

 <p>PSK01909</p> <p>◆ Locking Plate</p>	 <p>NEW</p>
 <p>PSK01913</p> <p>◆ Locking Plate</p>	 <p>NEW</p>
 <p>PXX00109</p> <p>◆ Locking Plate</p>	
 <p>PXX00113</p> <p>◆ Locking Plate</p>	
 <p>PXX00209</p> <p>◆ Locking Plate</p>	


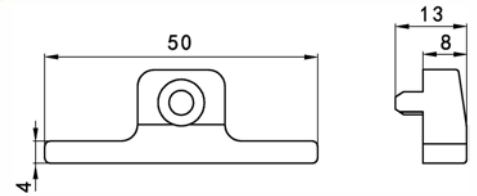

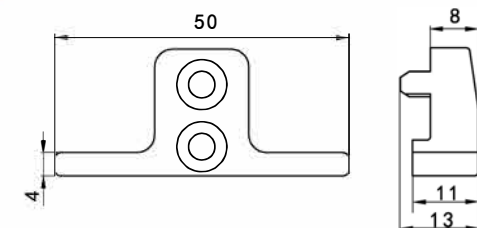

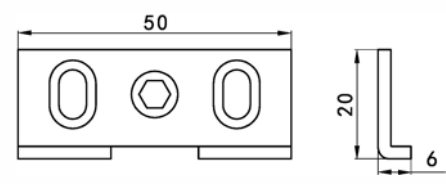

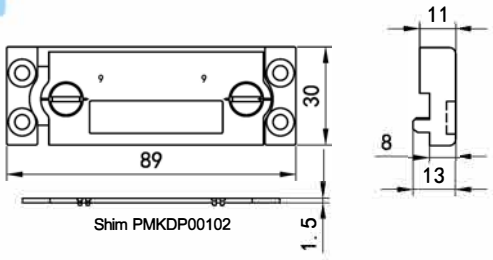

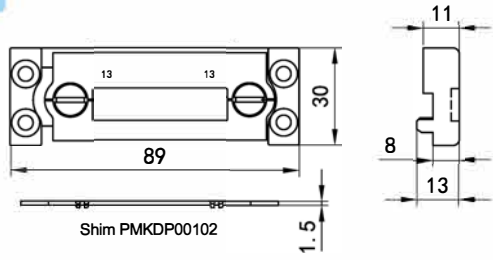
Frame Accessory Series

	<p>PSK101</p>  <ul style="list-style-type: none"> ◆ Locking Plate ◆ Suitable for the serie 20 profile
	<p>PSK105</p>  <ul style="list-style-type: none"> ◆ Locking Plate ◆ Suitable for the serie 23 profile
	<p>PSK002</p>  <ul style="list-style-type: none"> ◆ Locking Plate
	<p>PZCZ0010902 PZCZ0020902 PZCZ0030902</p>  <ul style="list-style-type: none"> ◆ Supporting Block
	<p>PZCZ0011302</p>  <ul style="list-style-type: none"> ◆ Supporting Block

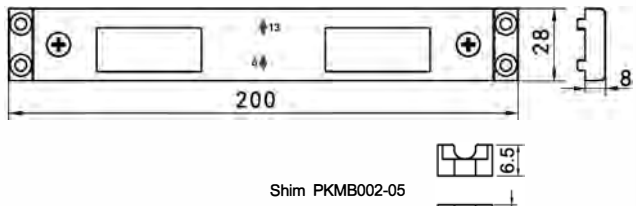
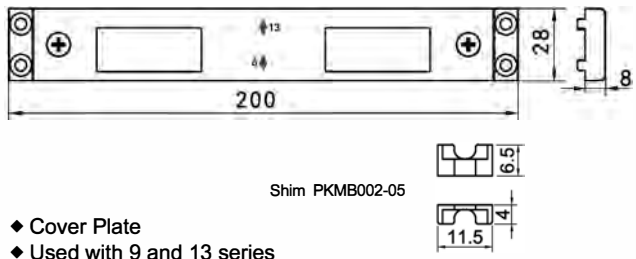

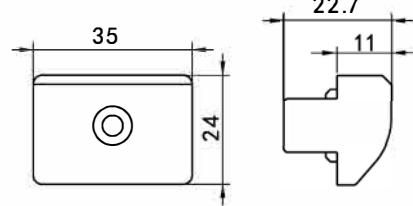

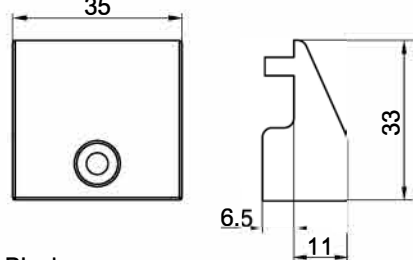

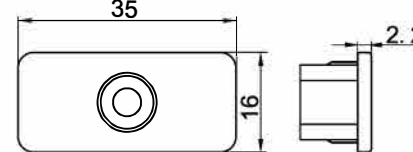

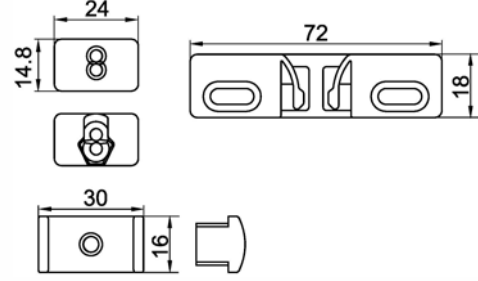

Frame Accessory Series

	<p>PZCG00109 PZCG00113</p>  <ul style="list-style-type: none"> ◆ Supporting Cap
	<p>PZCGL00109 PZCGR00109</p>  <ul style="list-style-type: none"> ◆ Supporting Cap ◆ Left & Right
	<p>PZCGL00113 PZCGR00113</p>  <ul style="list-style-type: none"> ◆ Supporting Cap ◆ Left & Right
	<p>PZCG00209 PZCG00213</p>  <ul style="list-style-type: none"> ◆ Supporting Cap
	<p>PZCZ004</p>  <ul style="list-style-type: none"> ◆ Supporting Block


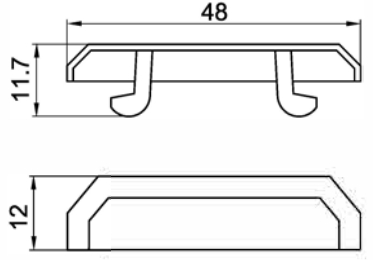

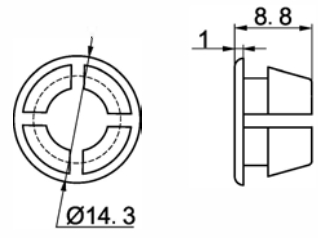

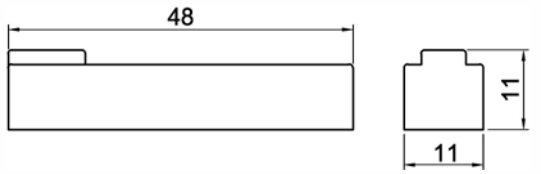



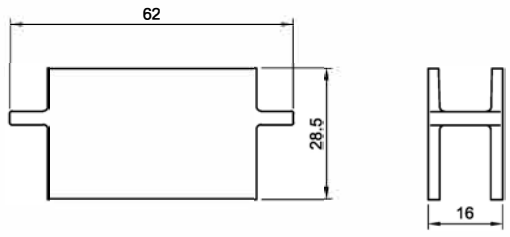
Frame Accessory Series

	<p>PFWK00109A</p>  <p>◆ Anti-misoperation Block</p>
	<p>PFWK00113A</p>  <p>◆ Anti-misoperation Block</p>
	<p>PFWK002</p>  <p>◆ Anti-misoperation Block</p>
	<p>PMSKMB00109</p>  <p>◆ Cover Plate</p>
	<p>PMSKMB00113</p>  <p>◆ Cover Plate</p>

Frame Accessory Series

 <p>◆ Cover Plate ◆ Used with 9 and 13 series</p>	<p>PKMB002</p>  
 <p>◆ Lifting Block</p>	<p>PTSK00102</p> 
 <p>◆ Lifting Block</p>	<p>PTSK002</p> 
 <p>◆ Lifting Block</p>	<p>PTSD001</p> 
 <p>◆ Fixing Block</p>	<p>PKK001</p> 

Frame Accessory Series

	<p>PFSG001</p>  <p>◆ Water Cap</p>
	<p>PKG001</p>  <p>◆ Hole Cap</p>
	<p>PCDQXWK001</p>  <p>◆ limiting block ◆ Realize transmitter 90° limiting</p>
	<p>PSLJK01</p>  <p>◆ Frame Connector</p>
	<p>PSLJK01A</p>  <p>◆ Frame Connector</p>

Solution to high-strengthened fire-resistant locking plate-PSK01709/13



High strength

The fixed point of locking plate is through the profile and connect the steel lining directly, which combines the window and door firmly, isolating the fire and smoke to save precious time for rescue.

Anti-theft

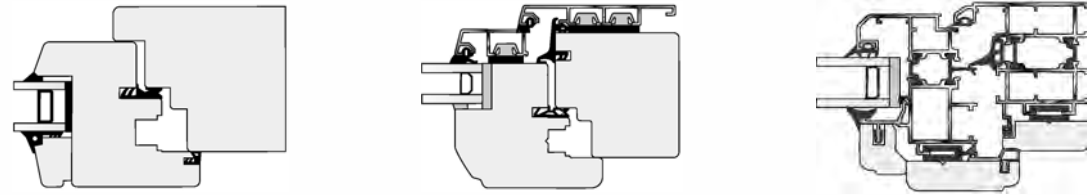
Anti-theft locking plate, used with the anti-theft locking point, guarantees the normal open and close as well as improves the anti-thief function, increasing the safety.



High temperature resistant

It adopts the pouring SS304 with high melting point, which is over the requirement of fire-resistant standard and guarantees the fire-resistant performance of hardware.

Wooden Window / Composite Window



Wooden window/Composite Hardware series: Can suitable for all kinds of windows, surface treatment for visual hardware adopts bronze color with weather resistance. Hardware used in drive or transmission system adopts surface treatment of strongly anti-rusted electroplating. The surface treatment shows high performance of solid Wood and composite profile.

Wooden Window / Composite Window

Wooden Window / Composite Window Configuration

20-1 WCPX100Series, Turn&Tilt system of Solid Wood P148

20-2 WCXP100 Series, Aluminium-clad Wood window P150

20-3 WCPN100 Series, Open-in Side-hung System of Solid Wood/Aluminium-clad Wood window P154

20-4 LWCPX100 Series, Turn&Tilt system of Wood-clad..... P156

20-5 LWCXP100 Series, Aluminium window P158

20-6 LWCPN100 Series, Open-in Side-hung System of Wood-clad Aluminium window..... P160

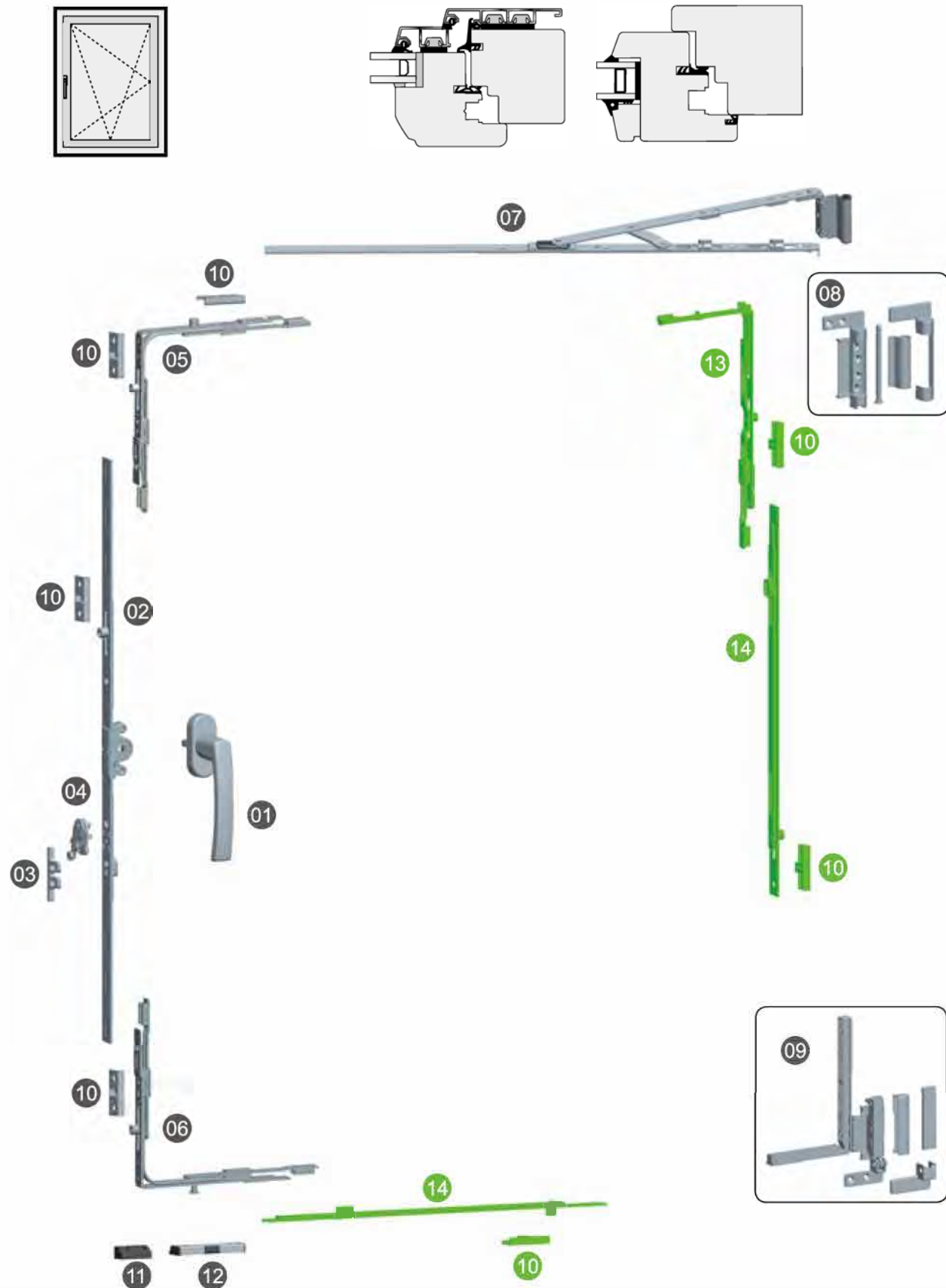
Product Series

Pivot Hinge Series P162

Connecting Rod Series..... P164

Frame Accessory Series P165

20-1 WCPX100 Series Turn-and-Tilt Window



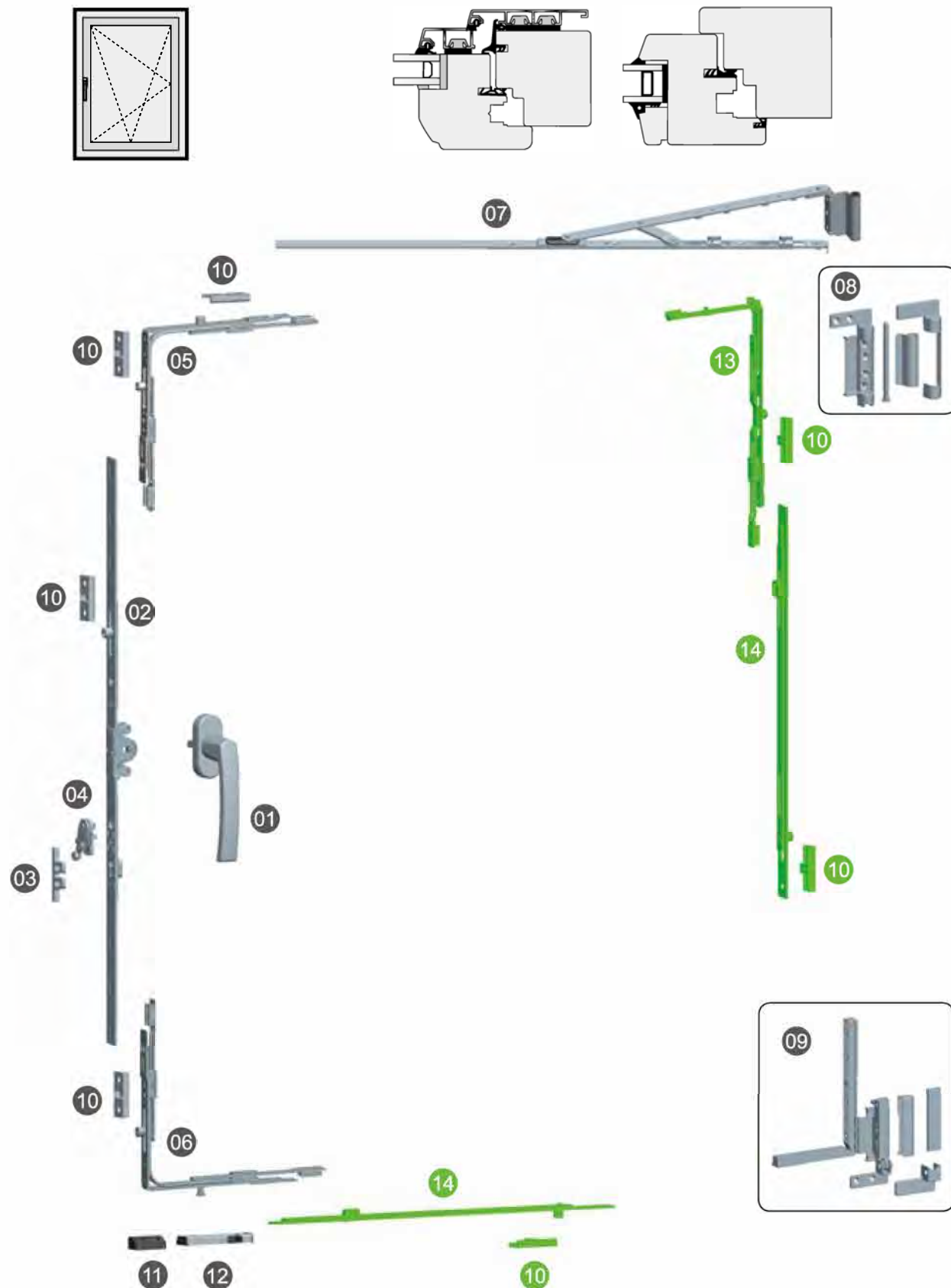
Hardware Configuration for WCPX100 Series

Number	Product Name	Code	Quantity	Remark
01	Handle	PZSN006	1	Optional, Please indicate the color while placing order
02	Transmitter	NPCDQN01509-12A	1	Depends on window system
03	Anti-misoperation Block	PFWK00220A	1	
04	Anti-misoperation Device	PFWQR001	1	Left & Right
05	Corner Device	NPZJQ204	1	Optional
06	Corner Device	NZJQ201	1	
07	Connector Rod	NLGNXR10906-08	1	Left & Right
08	Upper Pivot Hinge	NHYSN002	1	Please indicate the color while placing order
09	Bottom Pivot Hinge	NHYXNR0029	1	Optional, Please indicate the color while placing order
10	Locking Plate	PSK00220	4	Depends on the quantity of locking points
11	Lifting Block	WTSK00102	1	
12	Rotated Lock Block	NQZSZ00320	1	
13	Corner Device	NPZJQ203	1	
14	Side Transmission Rod	NPBCDG004	2	

Configuration Instruction

1. Above configuration is applicable to "9" series PVC profile, Besides there is "13" series configuration.
2. Items in green are optional.
3. This configuration is applicable to (including the selective items) sash with height ranged from 700mm to 1800mm and width ranged from 430mm to 1000mm. But not all of the selective items in suitable range can fit for it with different window proportion. The recommended proportion is Width: Height=1:1.5
4. The maximum load bearing capacity of this configuration is 90kg, the load bearing capacity depends on the pivot hinge, please refer to pivot hinge series:
The sash weight (including the weight of glass, sash profile and other accessories) X1.4 (Safety coefficient) ≤ The maximum load bearing capacity of the pivot hinge.
5. The above is only for reference. Please consult our technical department for specific requirement.

20-2 WCXP100 Series Tilt-and-Turn Window



Hardware Configuration for WCXP100 Series

Number	Product Name	Code	Quantity	Remark
01	Handle	PZSN006	1	Optional, Please indicate the color while placing order
02	Transmitter	NPCDQN01509-12A	1	Depends on window system
03	Anti-misoperation Block	PFWK00220A	1	
04	Anti-misoperation Device	PFWQR001	1	Left & Right
05	Corner Device	NPZJQ204	1	Optional
06	Corner Device	NZJQ201	1	
07	Connector Rod	NLGXNR10906-08	1	Left & Right
08	Upper Pivot Hinge	NHYSN002	1	Please indicate the color while placing order
09	Bottom Pivot Hinge	NHYXNR0029	1	Optional, Please indicate the color while placing order
10	Locking Plate	PSK00220	4	Depends on the quantity of locking points
11	Lifting Block	WTSK00102	1	
12	Rotated Lock Block	NQZSZR00320	1	Left & Right
13	Corner Device	NPZJQ203	1	
14	Side Transmission Rod	NPBCDG004	2	

Configuration Instruction

1. Above configuration is applicable to "9" series PVC profile, Besides there is "13" series configuration.
2. Items in green are optional.
3. This configuration is applicable to (including the selective items) sash with height ranged from 700mm to 1800mm and width ranged from 430mm to 1000mm. But not all of the selective items in suitable range can fit for it with different window proportion. The recommended proportion is Width: Height=1:1.5
4. The maximum load bearing capacity of this configuration is 90kg, the load bearing capacity depends on the pivot hinge, please refer to pivot hinge series:
The sash weight (including the weight of glass, sash profile and other accessories) X1.4 (Safety coefficient) ≤ The maximum load bearing capacity of the pivot hinge.
5. The above is only for reference. Please consult our technical department for specific requirement.

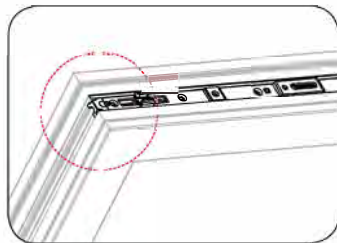
Tilt and Turn & Turn and Tilt Window Hardware System Characteristics Instruction for Wooden Profile/ Aluminum-wooden profile

Drilling and Installation

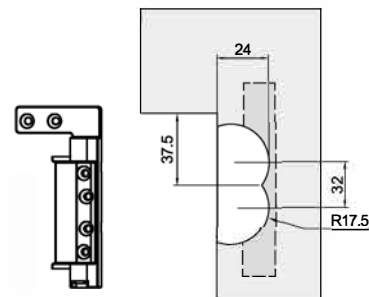
Instruction

1. Pivot Hinge--- Drilling holes for bottom hinge frame with the duplicator WKM001 for wooden profile, to ensure the accuracy of the hole size , before the bottom hinge installation , ensure that all adjustment points at the initial position.
2. Handle--- Drilling holes for open-in handle for wooden profile according to the center of the transmitter, square hole is concentric with handle spindle hole, the handle knob will be installed straightly with 90 degree.
3. Transmission rod surface with high anti-corrosion coating, corrosion resistance will be more stronger.

Positioning blocks need to be close to the U-groove tightly

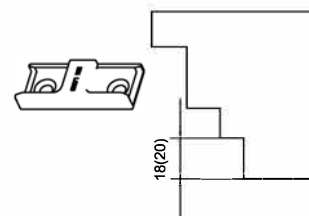


Drilling illustration for Upper hinge

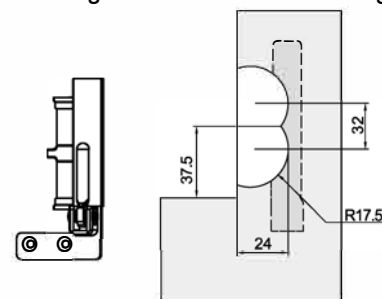


Drilling Depth of Upper Hinge:5mm

Striker for frame
PSK00118A(18mm)
PSK00220 (20mm)

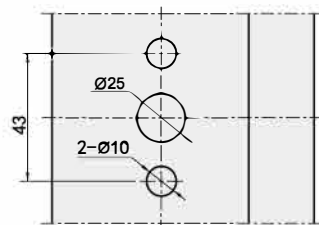


Drilling illustration for bottom hinge



Drilling Depth of Bottom Hinge:5mm

Handle drilling illustration



The Installation location of Tilting Locking Plate and Overturn Supporter

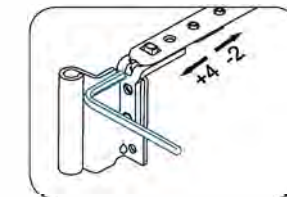
Adjust and Cutting

Wooden Profile Connecting Rod Cutting / Adjustment illustration

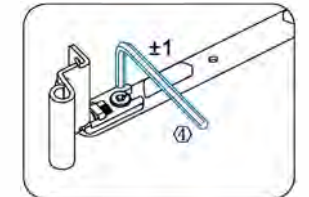


Code	Applicable width	X(Maximum Cutting dimension)	Remarks
NLGNXR10904-06	430-600	170	The same applicable width, the same X
NLGNXR10906-08	601-800	200	
NLGNXR10908-10	801-1000	200	

◆ The cutting mould refer to page 169



Effectively change the sash incline by adjusting screw



Can effectively adjust the air-tightness, water-tightness and the compaction of the frame and sash

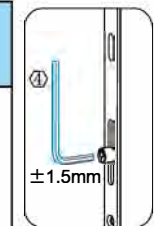
Wooden Profile Transmitter Cutting / Adjustment illustration



Code	Applicable width	Length of rod	X(Maximum Cutting dimension)	Remarks
NPCDQN01507-09A	700-900	602	105	
NPCDQN01509-12A	901-1200	902	150	
NPCDQN01512-16A	1201-1600	1302	200	
NPCDQN01512-18A	1201-1800	398	0	

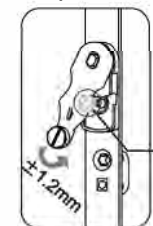
◆ The cutting mould refer to page 169

Lock Point



Adjusting the amount of overlap between locking point and locking plate, improved the performance of the tightness for the entire window

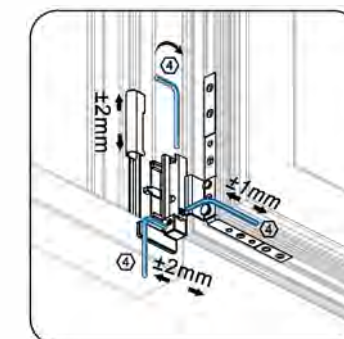
Anti-misoperation Device



Special screws M4*6

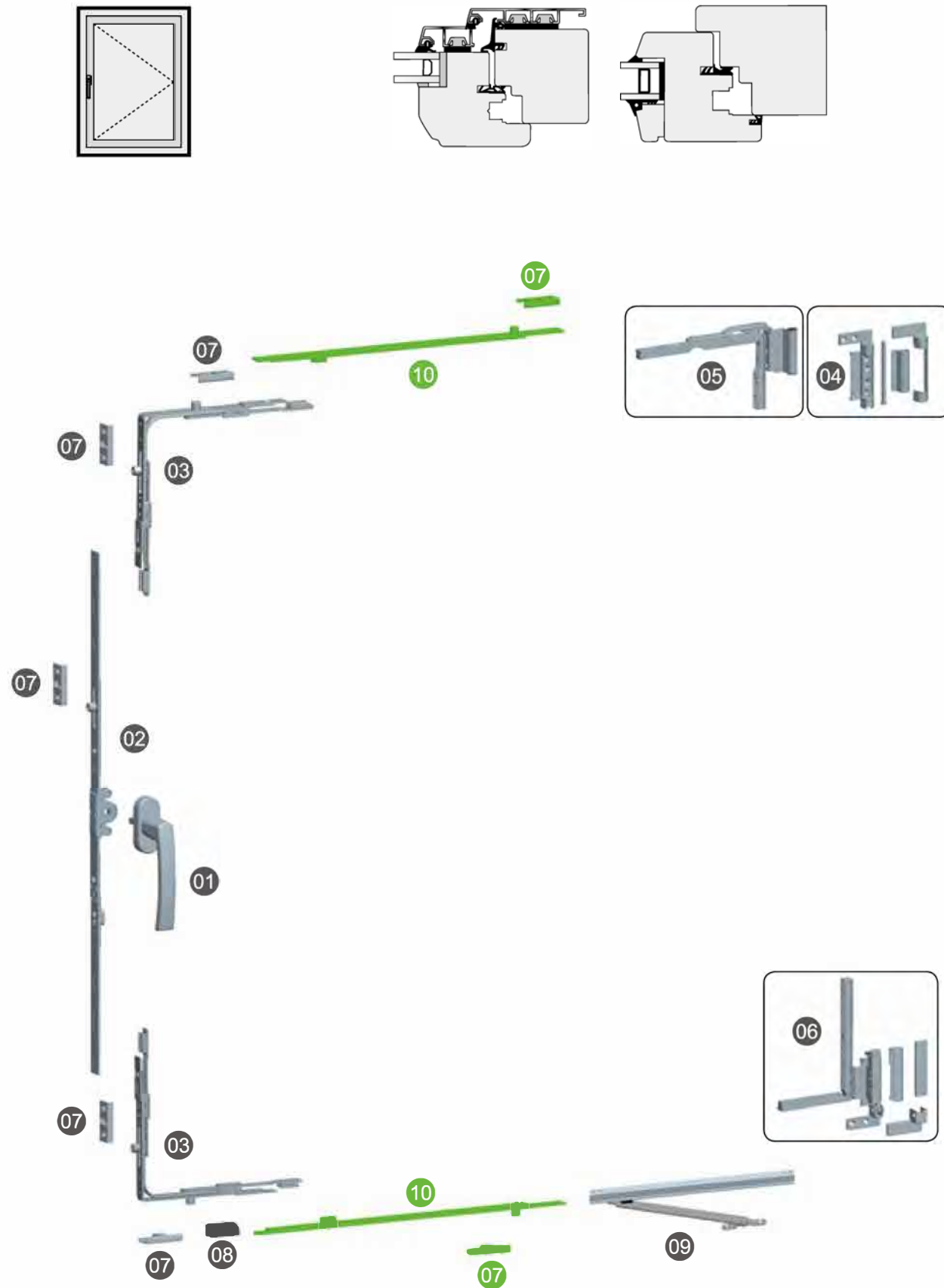
Wooden Profile Bottom Hinge Installation / Adjustment Illustration

3D hinge can improve the air-tightness and water-tightness, greatly reducing the installation errors



20-3 WCPN100 Series Open-in Side Hung Window

Hardware Configuration for WCPN100 Series



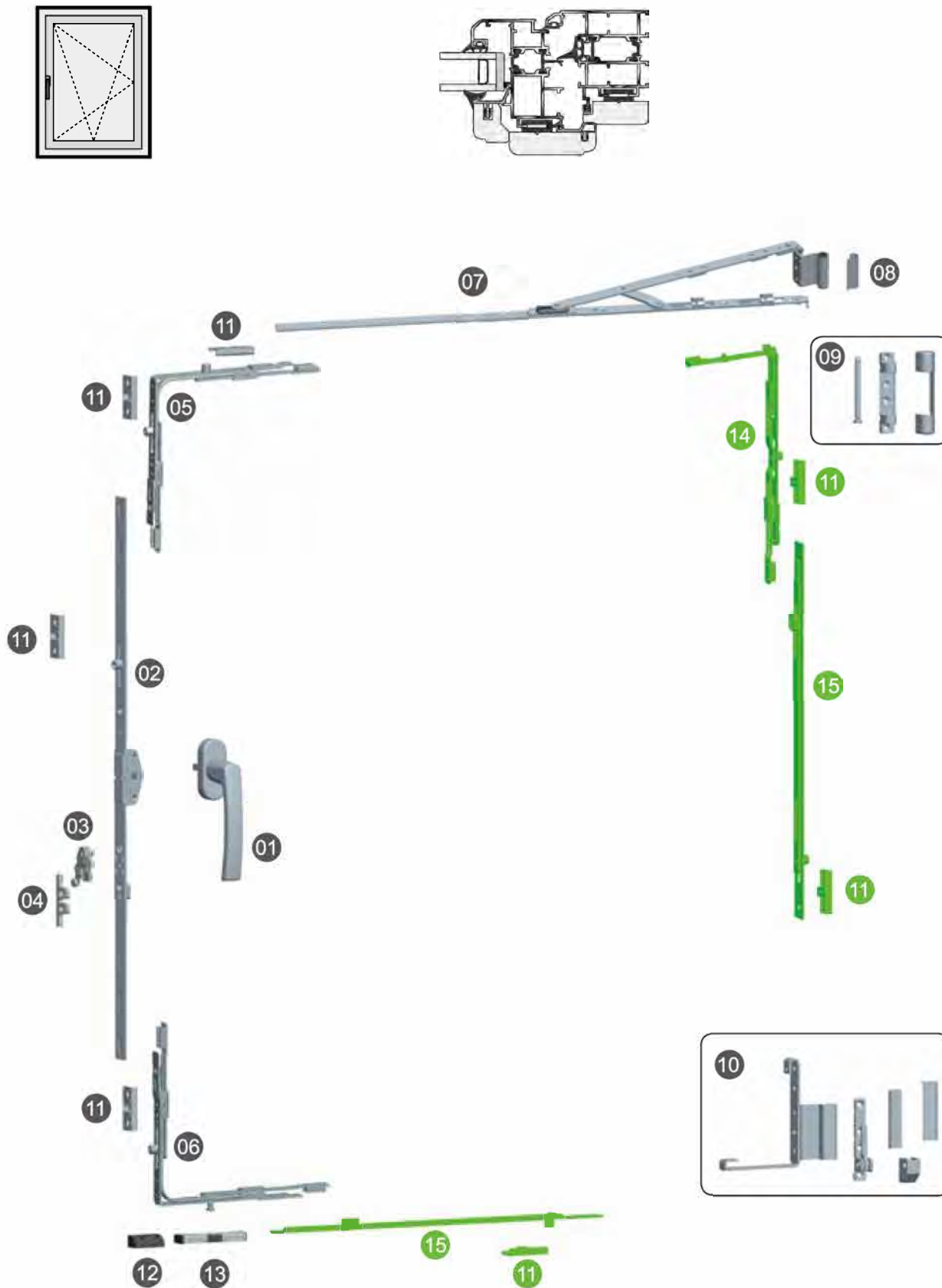
Number	Product Name	Code	Quantity	Remark
01	Handle	PZSN006	1	Optional, Please indicate the color while placing order
02	Transmitter	NPCDQN01509-12A	1	Depends on window system
03	Corner Device	NPZJQ204	2	Optional
04	Upper Pivot Hinge	NHYSN002	1	Please indicate the color while placing order
05	Corner Connector Rod	NJBLGR0029	1	Left & Right, Please indicate the color while placing order
06	Bottom Pivot Hinge	NHYXNR0029	1	Left & Right, Please indicate the color while placing order
07	Locking Plate	PSK00220	5	Depends on the quantity of locking points
08	Lifting Block	WTSK00102	1	
09	Pegstay	Refer to Pegstay Series	1	Depends on window system
10	Side Transmission Rod	NPBCDG004	2	

Configuration Instruction

1. Above configuration is applicable to "9" series PVC profile, Besides there is "13" series configuration.
2. Items in green are optional.
3. This configuration is applicable to (including the selective items) sash with height ranged from 700mm to 1800mm and width ranged from 650mm to 1000mm. But not all of the selective items in suitable range can fit for it with different window proportion. The recommended proportion is Width: Height=1:1.5
4. The maximum load bearing capacity of this configuration is 90kg, the load bearing capacity depends on the pivot hinge, please refer to pivot hinge series:
The sash weight (including the weight of glass, sash profile and other accessories) X 1.4 (Safety coefficient) ≤ The maximum load bearing capacity of the pivot hinge.
5. The above is only for reference. Please consult our technical department for sepecific requierment.

20-4 LWCPX100 Series Turn-and-Tilt Window

Hardware Configuration for LWCPX100 Series

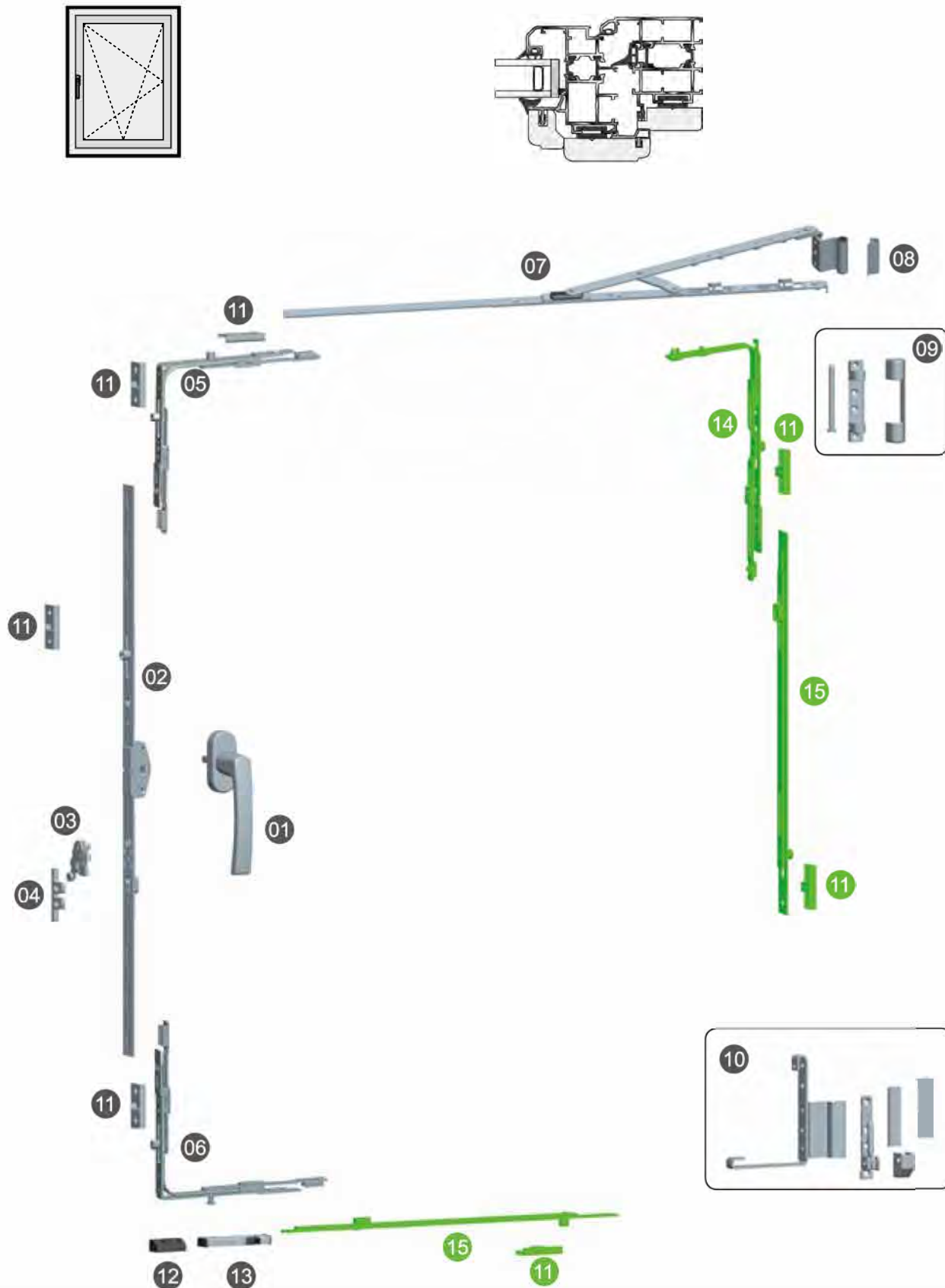


Number	Product Name	Code	Quantity	Remark
01	Handle	PZSN006	1	Optional, Please indicate the color while placing order
02	Transmitter	NPCDQN41509-12	1	Depends on window system
03	Anti-misoperation Device	PFWQR001	1	Left & Right
04	Anti-misoperation Block	PFWK00118A	1	
05	Corner Device	NPZJQ204	1	Optional
06	Corner Device	NZJQ201	1	
07	Connector Rod	NPLGNXR10906-08	1	Left & Right
08	Outer Cover	PHYSN002-03A	1	Please indicate the color while placing order
09	Upper Pivot Hinge	NPHYSN003	1	Please indicate the color while placing order
10	Bottom Pivot Hinge	NPHYXNR0109	1	Left & Right, Please indicate the color while placing order
11	Locking Plate	PSK00118A	4	Depends on the quantity of locking points
12	Lifting Block	WTSK00102	1	
13	Rotated Lock Block	NQZSZ00318	1	
14	Corner Device	NPZJQ203	1	
15	Side Transmission Rod	NPBCDG004	2	

Configuration Instruction

1. Above configuration is applicable to "9" series PVC profile, Besides there is "13" series configuration.
2. Items in green are optional.
3. This configuration is applicable to (including the selective items) sash with height ranged from 490mm to 1800mm and width ranged from 430mm to 1000mm. But not all of the selective items in suitable range can fit for it with different window proportion. The recommended proportion is Width: Height=1:1.5
4. The maximum load bearing capacity of this configuration is 90kg, the load bearing capacity depends on the pivot hinge, please refer to pivot hinge series:
The sash weight (including the weight of glass, sash profile and other accessories) X 1.4 (Safety coefficient) ≤ The maximum load bearing capacity of the pivot hinge.
5. The above is only for reference. Please consult our technical department for sepecific requierment.

20-5 LWCXP100 Series Tilt-and-Turn Window



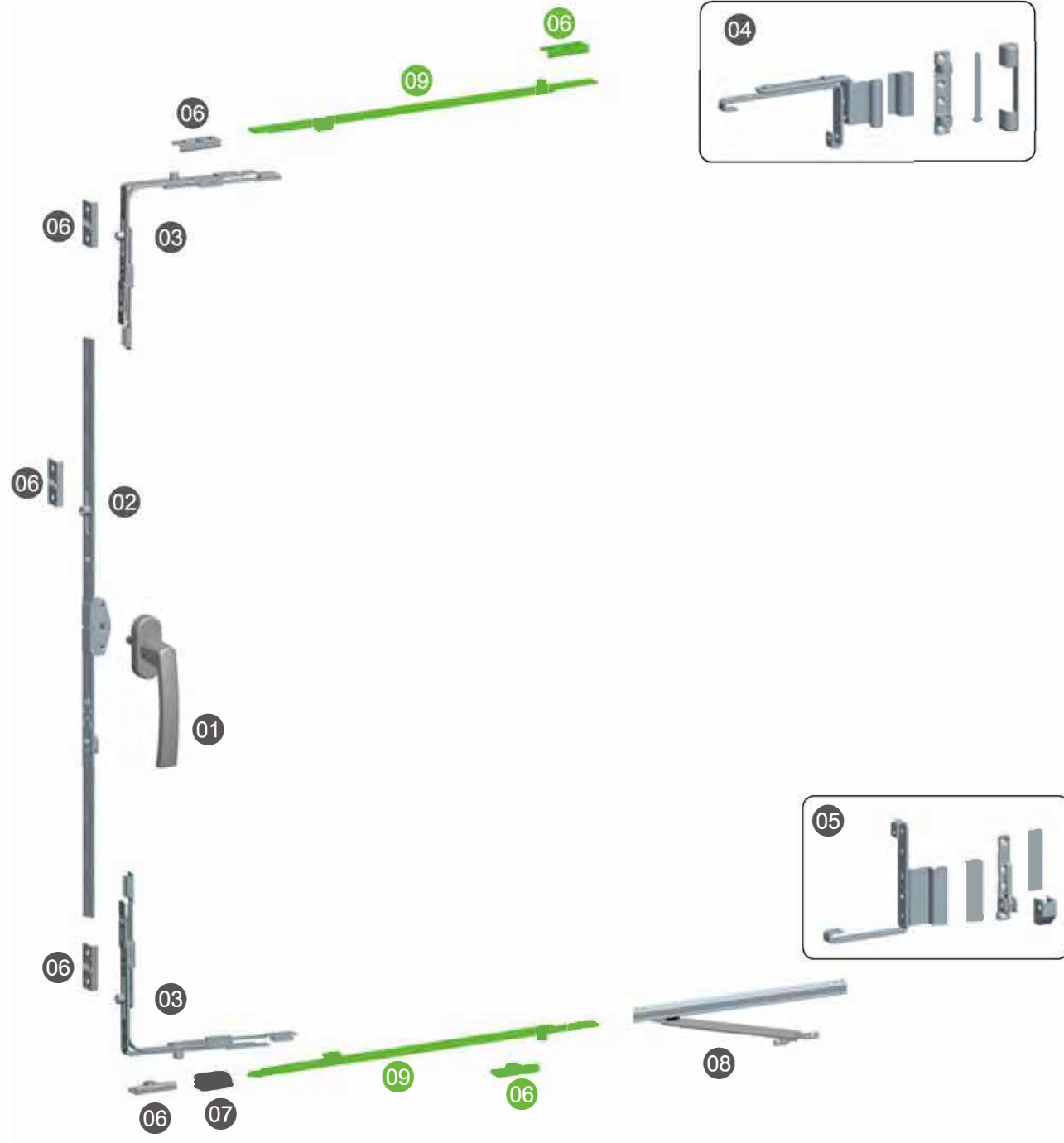
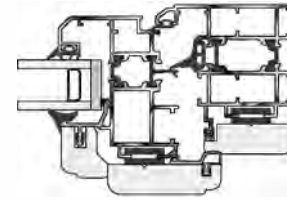
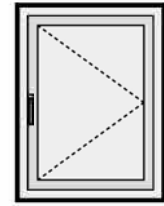
Hardware Configuration for LWCXP100 Series

Number	Product Name	Code	Quantity	Remark
01	Handle	PZSN006	1	Optional, Please indicate the color while placing order
02	Transmitter	NPCDQN41509-12	1	Depends on window system
03	Anti-misoperation Device	PFWQR001	1	
04	Anti-misoperation Block	PFWK00118A	1	Left & Right
05	Corner Device	NPZJQ204	1	Optional
06	Corner Device	NZJQ201	1	
07	Connector Rod	NPLGXNR11306-08	1	Left & Right
08	Outer Cover	PHYSN002-03A	1	Please indicate the color while placing order
09	Upper Pivot Hinge	NPHYSN003	1	Please indicate the color while placing order
10	Bottom Pivot Hinge	NPHYXNR01013	1	Left & Right, Please indicate the color while placing order
11	Locking Plate	PSK00118A	4	Depends on the quantity of locking points
12	Lifting Block	WTSK00102	1	
13	Rotated Lock Block	NQZSZR00318	1	Left & Right
14	Corner Device	NPZJQ203	1	
15	Side Transmission Rod	NPBCDG004	2	

Configuration Instruction

1. Above configuration is applicable to "13" series PVC profile, Besides there is "9" series configuration.
2. Items in green are optional.
3. This configuration is applicable to (including the selective items) sash with height ranged from 490mm to 1800mm and width ranged from 430mm to 1000mm. But not all of the selective items in suitable range can fit for it with different window proportion. The recommended proportion is Width: Height=1:1.5
4. The maximum load bearing capacity of this configuration is 90kg, the load bearing capacity depends on the pivot hinge, please refer to pivot hinge series:
The sash weight (including the weight of glass, sash profile and other accessories) X1.4 (Safety coefficient) ≤ The maximum load bearing capacity of the pivot hinge.
5. The above is only for reference. Please consult our technical department for sepecific requierment.

20-6 LWCPN100 Series Open-in Side Hung Window




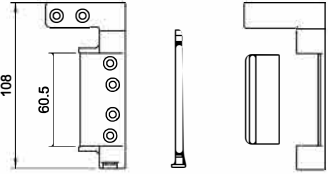

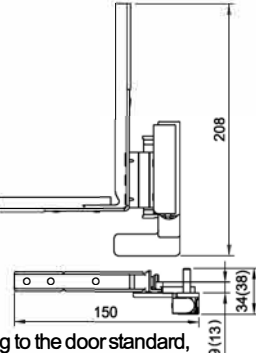

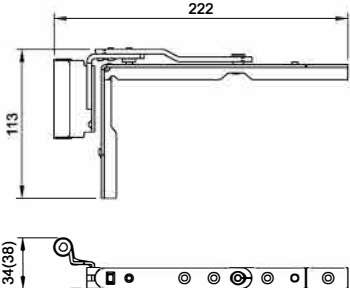
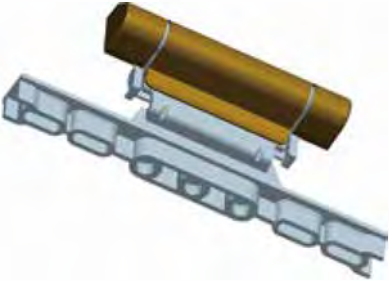
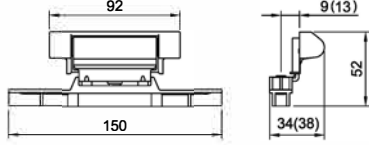
Hardware Configuration for LWCPN100 Series

Number	Product Name	Code	Quantity	Remark
01	Handle	PZSN006	1	Optional, Please indicate the color while placing order
02	Transmitter	NPCDQN41509-12	1	Depends on window system
03	Corner Device	NPZJQ204	2	Optional
04	Upper Pivot Hinge	NPHYSNR00313	1	Left & Right, Please indicate the color while placing order
05	Bottom Pivot Hinge	NPHYXNR01013	1	Left & Right, Please indicate the color while placing order
06	Locking Plate	PSK00118A	5	Depends on the quantity of locking points
07	Lifting Block	WTSK00102	1	
08	Pegstay	Refer to Pegstay Series	1	Depends on window system
09	Side Transmission Rod	NPBCDG004	2	

Configuration Instruction

1. Above configuration is applicable to "13" series PVC profile, Besides there is "9" series configuration.
2. Items in green are optional.
3. This configuration is applicable to (including the selective items) sash with height ranged from 490mm to 1800mm and width ranged from 650mm to 1000mm. But not all of the selective items in suitable range can fit for it with different window proportion. The recommended proportion is Width: Height=1:1.5
4. The maximum load bearing capacity of this configuration is 90kg, the load bearing capacity depends on the pivot hinge, please refer to pivot hinge series:
The sash weight (including the weight of glass, sash profile and other accessories) X 1.4 (Safety coefficient) ≤ The maximum load bearing capacity of the pivot hinge.
5. The above is only for reference. Please consult our technical department for sepecific requierment.

Hinge Series

 <p>NEW</p>	<p>NHYSN002</p>  <ul style="list-style-type: none"> ◆ Upper pivot hinge ◆ Match with bottom pivot hinge and corner Connecting rod ◆ Please indicate the outer cover color when order it
 <p>NEW</p>	<p>NHYNR0029 NHYNR00213</p>  <ul style="list-style-type: none"> ◆ Bottom Pivot Hinge ◆ Left & Right ◆ Maximum load bearing capacity is 130kg (according to the door standard, the maximum load bearing capacity is 65kg) ◆ Please indicate the outer cover color when order it
 <p>NEW</p>	<p>NJBLGR0029 NJBLGR00213</p>  <ul style="list-style-type: none"> ◆ Corner Connecting rod ◆ Left&Right
 <p>NEW</p>	<p>NHYZ0029 NHYZ00213</p>  <ul style="list-style-type: none"> ◆ Middle pivot hinge ◆ Please indicate the outer cover color when order it ◆ applicable to open-in side-hung window (door)

Solution to high- quality solid- wood pivot hinges



High strength

Lengthening the pivot hinge on the sash and adding integral fixed block to guarantee the connecting strength of hardware and profile as well as to show the products elegance.

High load capacity

The bearing capacity of the pivot hinge is 130KG and additional horizontal screw on the "L" shape pivot hinge connected with the frame profile bidirectionally improves the connecting strength between the hardware and profile and guarantees the whole window performance.

High corrosion resistance

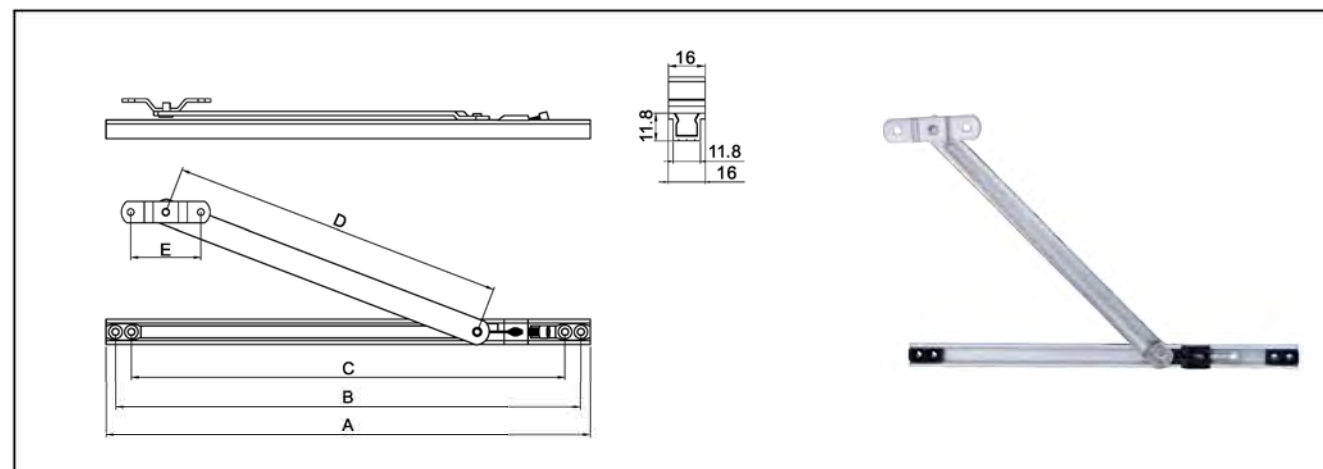
The product adopts the electroplated zinc-nickel alloy to prevent corrosion and salt spray test is up to 1000H.

Remark: Above configuration is suitable for "9" and "13" series wooden profile, bottom pivot hinge is three-dimensional adjustable, mid pivot hinge is left&right adjustable.

Connecting Rod Series

Connecting Rod(Tilt-and-Turn Window Series)			
◆ Left&Right			
Applicable width	Series Code	Applicable width	Series Code
430 - 600	NLGXNR10904-06	430 - 600	NLGXNR11304-06
601 - 800	NLGXNR10906-08	601 - 800	NLGXNR11306-08
801 - 1000	NLGXNR10908-10	801 - 1000	NLGXNR11308-10

Connecting Rod(Turn-and-Tilt Window Series)			
◆ Left&Right			
Applicable width	Series Code	Applicable width	Series Code
430 - 600	NLGXNR10904-06	430 - 600	NLGXNR11304-06
601 - 800	NLGXNR10906-08	601 - 800	NLGXNR11306-08
801 - 1000	NLGXNR10908-10	801 - 1000	NLGXNR11308-10


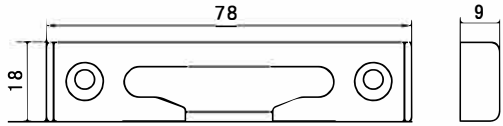

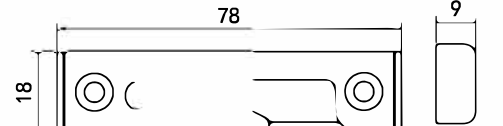

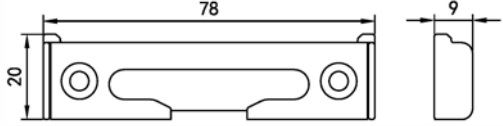

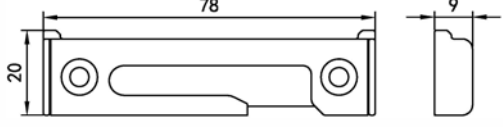


Assembly dimension(Unit :mm)					
Type	A	B	C	D	E
WFC010008A	203	191	171	165	45
WFC010010A	254	242	222	210	45
WFC010012A	305	293	273	255	45

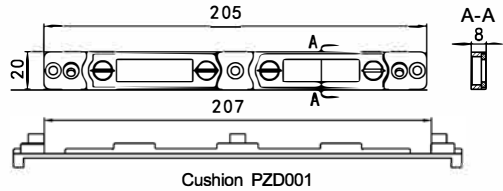

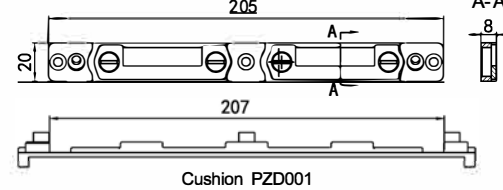

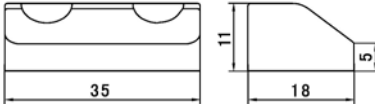

Frame Accessory Series

<p>PSK00118A</p> <p>◆ Locking Plate</p>	
<p>PSK00220</p> <p>◆ Locking Plate</p>	
<p>PFWK00118A</p> <p>◆ Anti- misoperation Block</p>	
<p>PFWK00220A</p> <p>◆ Anti- misoperation Block</p>	

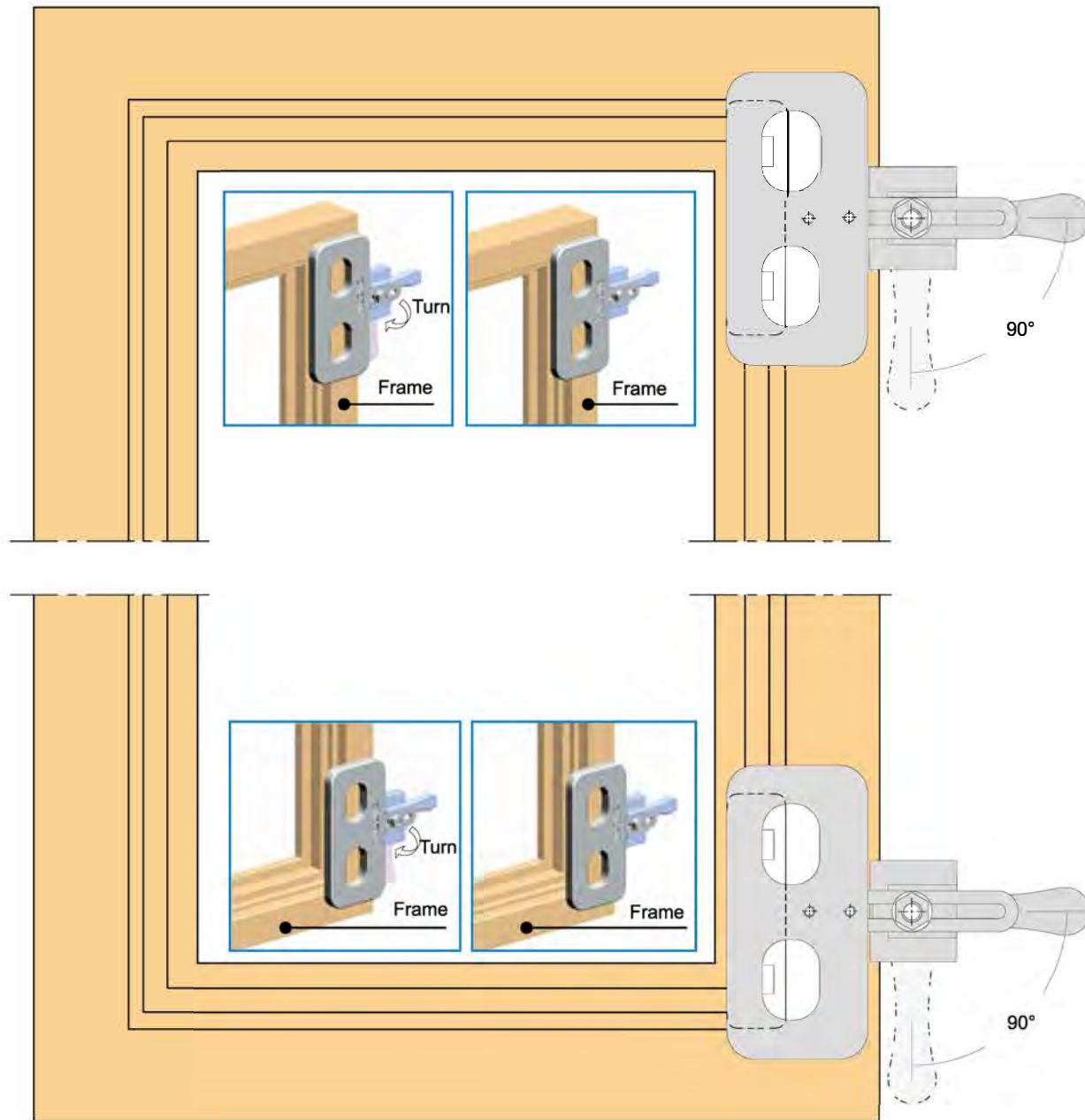
Frame Accessory Series

	<p>NQZSZ00318</p>  <p>◆ Rotated Lock Block</p>
	<p>NQZSZL00318 NQZSZR00318</p>  <p>◆ Rotated Lock Block ◆ Left & Right</p>
	<p>NQZSZ00320</p>  <p>◆ Rotated Lock Block</p>
	<p>NQZSZL00320 NQZSZR00320</p>  <p>◆ Rotated Lock Block ◆ Left & Right</p>

Frame Accessory Series

 <p>◆ Cover Plate ◆ Suitable for double-leaf window with Fake mullion after equipped with gasket.</p>	<p>NKMB00109</p> 
 <p>◆ Cover Plate ◆ Suitable for double-leaf window with Fake mullion after equipped with gasket.</p>	<p>NKMB00113</p> 
 <p>◆ Lifting Block</p>	<p>WTSK00102</p> 

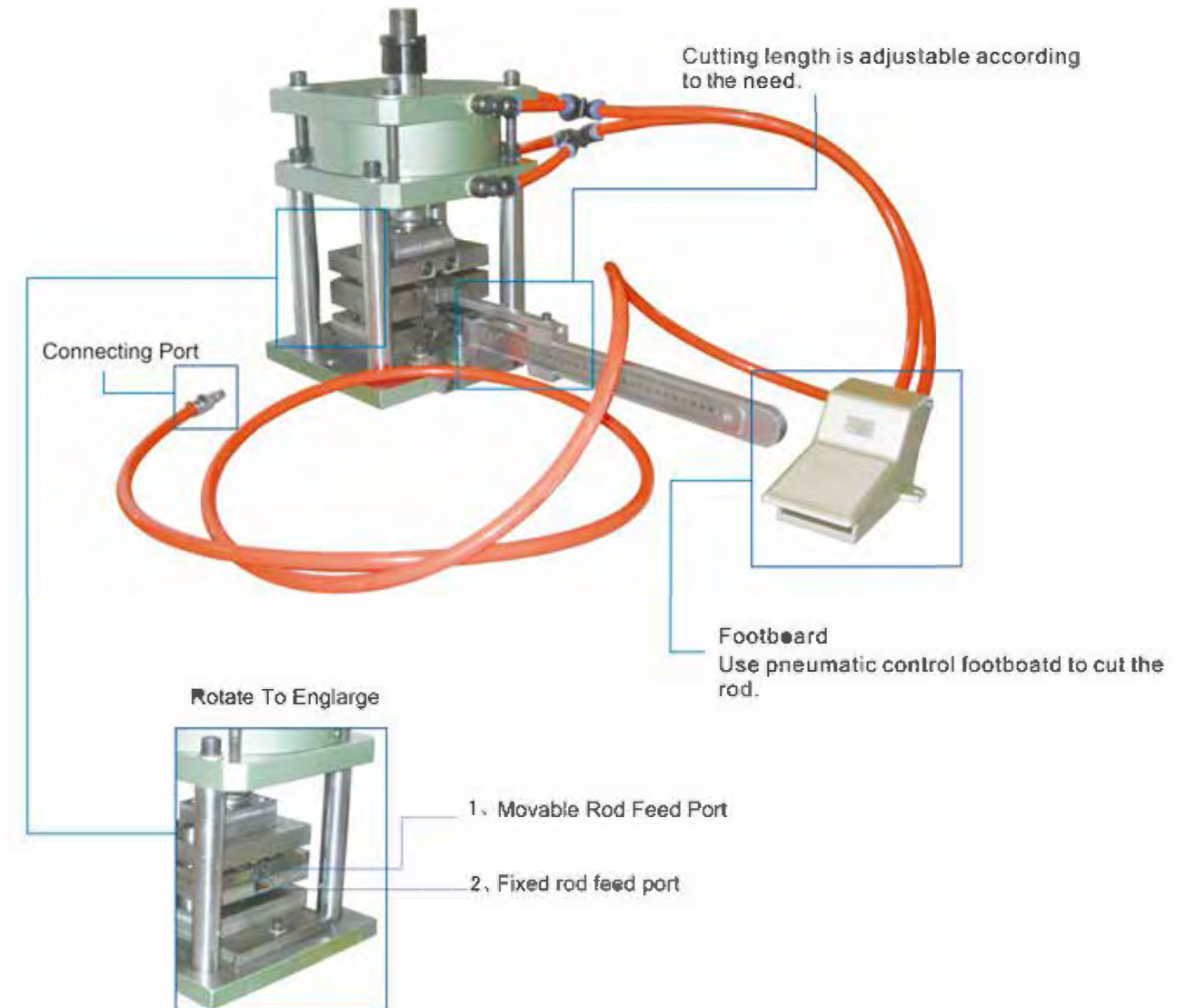
Wooden Window Duplicator



Name of the fitting	Series Code	Remark
Duplicator	WKMQ001	
This duplicator is suitable for installing pivot hinge: NHYSN001, NHYXNR(L)0019		

The Cutting Mould

Cutting mould
PCDM001



Name of the fitting	Series Code	Remark
Cutting mould	PCDM001	
Used for cutting transmitter, connecting rod, linking rod material.		

Completed Projects



Project Name : Fulton Lane Apartment
Project Location: Melbourne, Australia



Project Name: MK28
Project Location: Kuala Lumpur , Malaysia



Project Name: M LADPRAO
Project Location: Bangkok, Thailand



Project Name: Pyne
Project Location: Bangkok ,Thailand

1.Project Name: 568 Collins St Melbourne	Project Location: Melbourne, Australia
2.Project Name : Fulton Lane Apartment	Project Location: Melbourne, Australia
3.Project Name: Busan Bank	Project Location: Busan, South Korea
4.Project Name: MK28	Project Location: Kuala Lumpur , Malaysia
5.Project Name: FLC Holding Office Sri Lanka	Project Location: Colombo, Sri Lanka
6.Project Name: National School of Business Management	Project Location: Homagama , Sri Lanka
7.Project Name: Gems Garden Condominiums	Project Location: Yangon, Myanmar
8.Project Name: M LADPRAO	Project Location: Bangkok, Thailand
9.Project Name: Pyne	Project Location: Bangkok ,Thailand

Completed Projects



Project Name: Kingsbury Hotel
Project Location: Colombo, Sri Lanka



Project Name: Royal city
Project location: Hanoi, Viet Nam



Project Name: Tay Ha Tower
Project Location: Hanoi, Viet Nam



18. Project Name: The Light
Project location: Hanoi, Viet Nam

10.Project Name: Kingsbury Hotel	Project Location: Colombo, Sri Lanka
11.Project Name: WORLD CREST,	Project Location: Mumbai, India
12.Project Name: Palava City	Project Location: Mumbai, India
13.Project Name: DB woods	Project Location: Mumbai, India
14. Project Name: Cung Trien Lam	Project Location: Hanoi, Viet Nam
15. Project Name: Diamond Plaza	Project Location: Hanoi, Viet Nam
16. Project Name: Royal city	Project location: Hanoi, Viet Nam
17. Project Name: Tay Ha Tower	Project Location: Hanoi, Viet Nam
18. Project Name: The Light	Project location: Hanoi, Viet Nam