



📍 Lot 12, Tapak Perindustrian Pekan Belait,
KA3131, Kuala Belait, Brunei Darussalam

☎ Call us at (+673) 333 0965

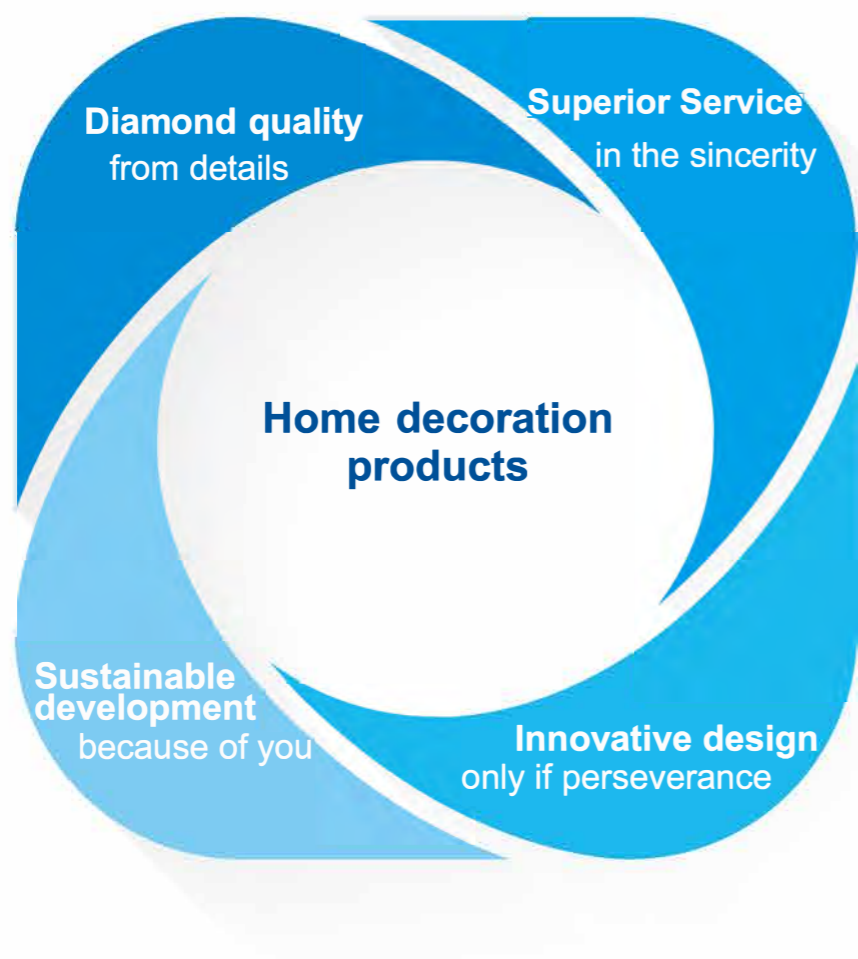
✉ enquiry@goldunited.com

Aluminum Door & Window Hardware Catalogue for Home Decoration



Aluminum Door&Window
Hardware Catalogue for Home Decoration





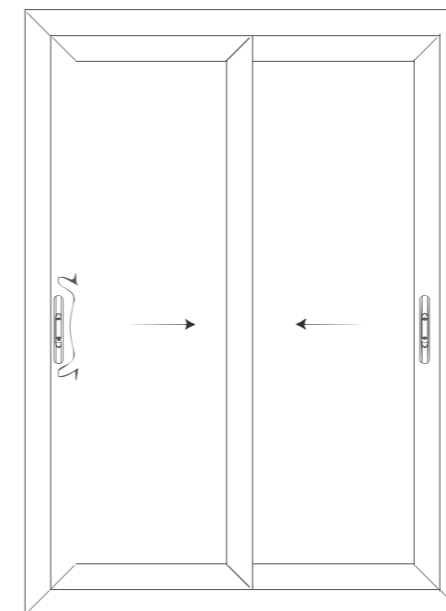
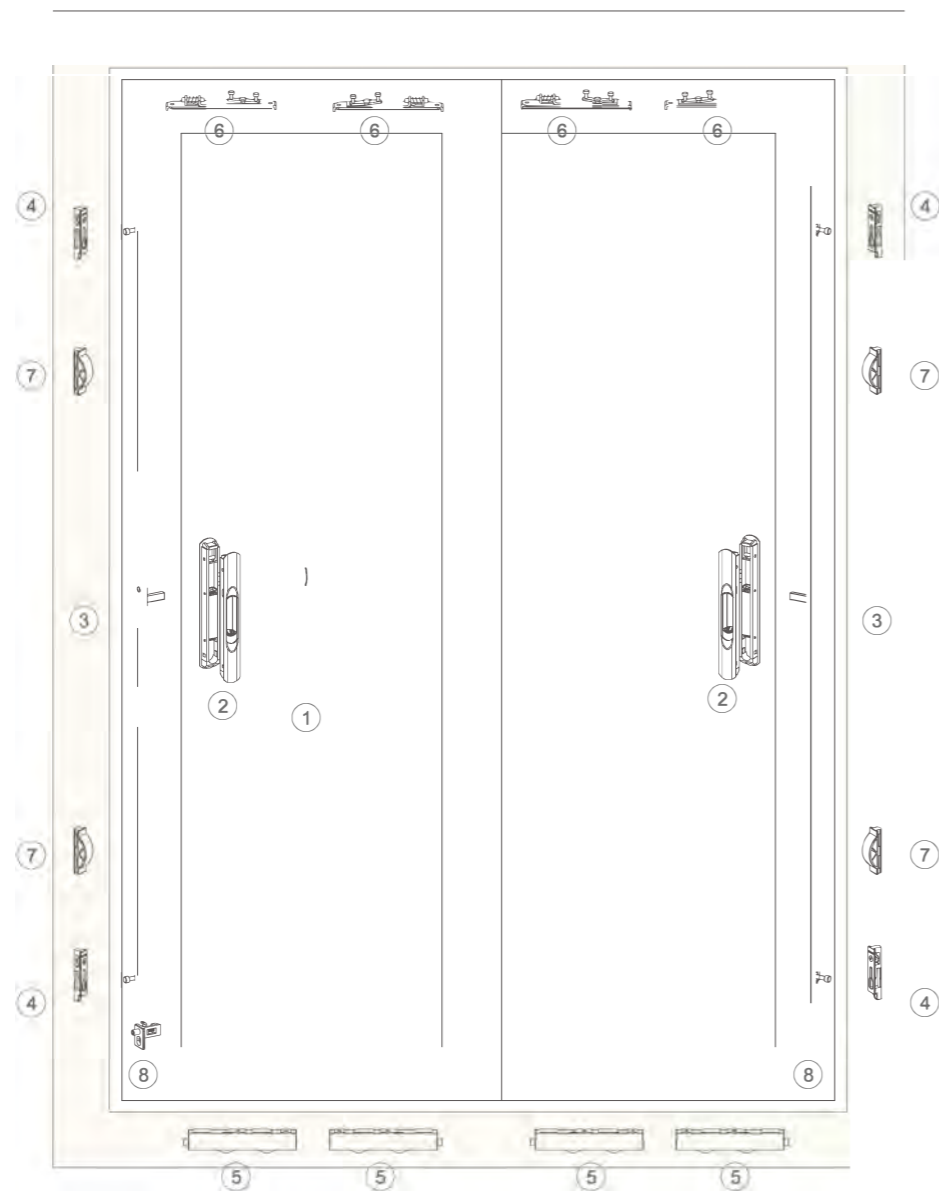
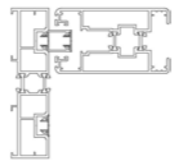
Door Series	Double -sash Sliding Door Series	01	Z-TLM100 Series	
		03	Z-TLM200 Series	
	Four -sash Sliding Door Series	05	Z-TLM300 Series	
		07	Z-TLM400 Series	
	Screen Door Series	09	Z-SMM100 Series	
		11	Z-SMM200 Series	
	Sliding and Folding Door Series	13	Z-FTL100 Series 431 Configuration	
		15	Z-FTL100 Series 422 Configuration	
	Lifting and Sliding Door Series	17	Z-TTL100 Series	
	Bathroom Door Series	19	Z-WSM100 Series	
Window Series	Screen Window Series	21	Z-SCC100 Series	
		23	Z-SCC200 Series	
		25	Z-SCC300 Series	
		27	Z-SCC400 Series	
	Turn and Tilt Window Series	29	Z-NPD100 Series	
		31	Z-NPD200 Series	
	Sliding Window Series	35	Z-TLC100 Series	
	Product Instruction		37 – 56	Sliding Series
			57 – 100	Sidehung Series
			101 – 105	Bathroom Door Series

Door Series



Z-TLM100 Series

Double-sash Sliding Door Series

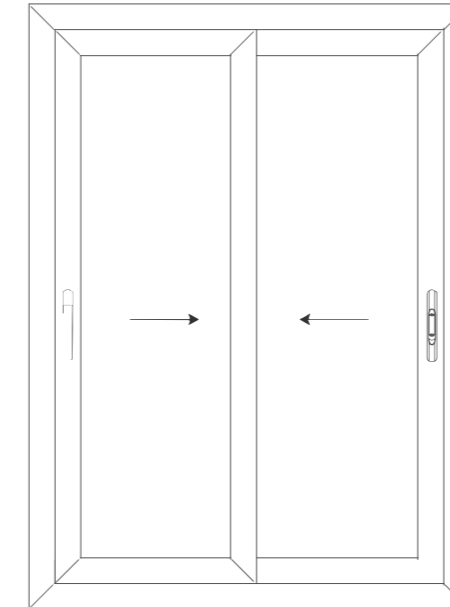
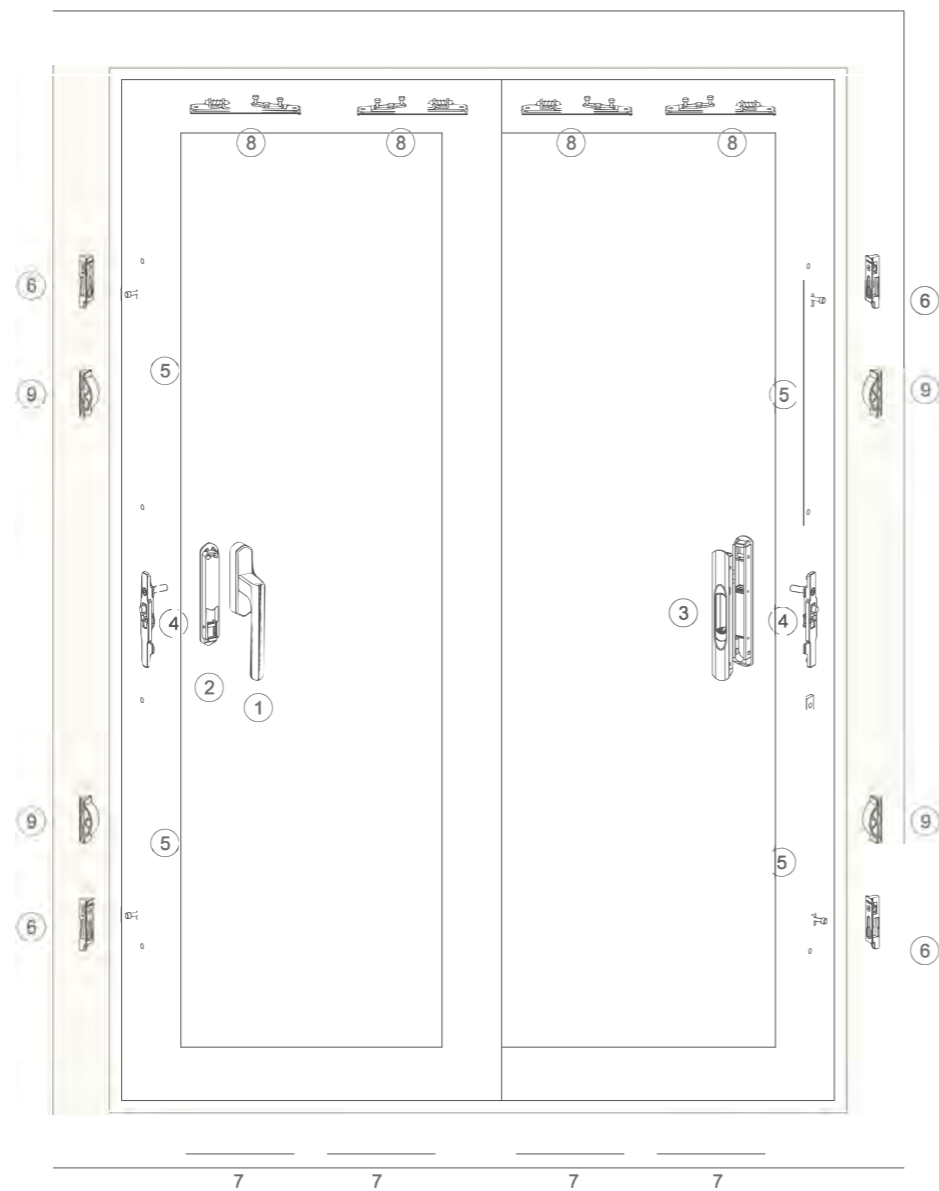
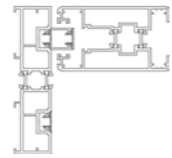


Configuration

Number	Product Name	Code	Quantity	Remark
	Handle	ZLSA2130		Oxidation (optional)
2	Sliding lock	ZTLS1510H	2	Oxidation (optional)
3	Transmission rod	ZCDG421-1000	2	1500mm and 1800mm to choose
4	Locking hook	ZSKB21	4	
5	Roller	ZMHL2312	4	Depends on profile
6	Guide pulley	ZDXL1140	4	Depends on profile
7	Anti-strike block	ZFZK11	4	
8	Anti-misoperation device	ZFWQ21	2	

Z-TLM200 Series

Double-sash Sliding Door Series

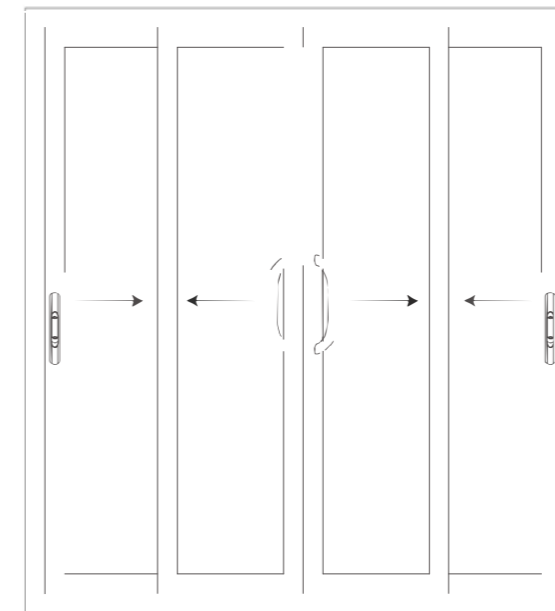
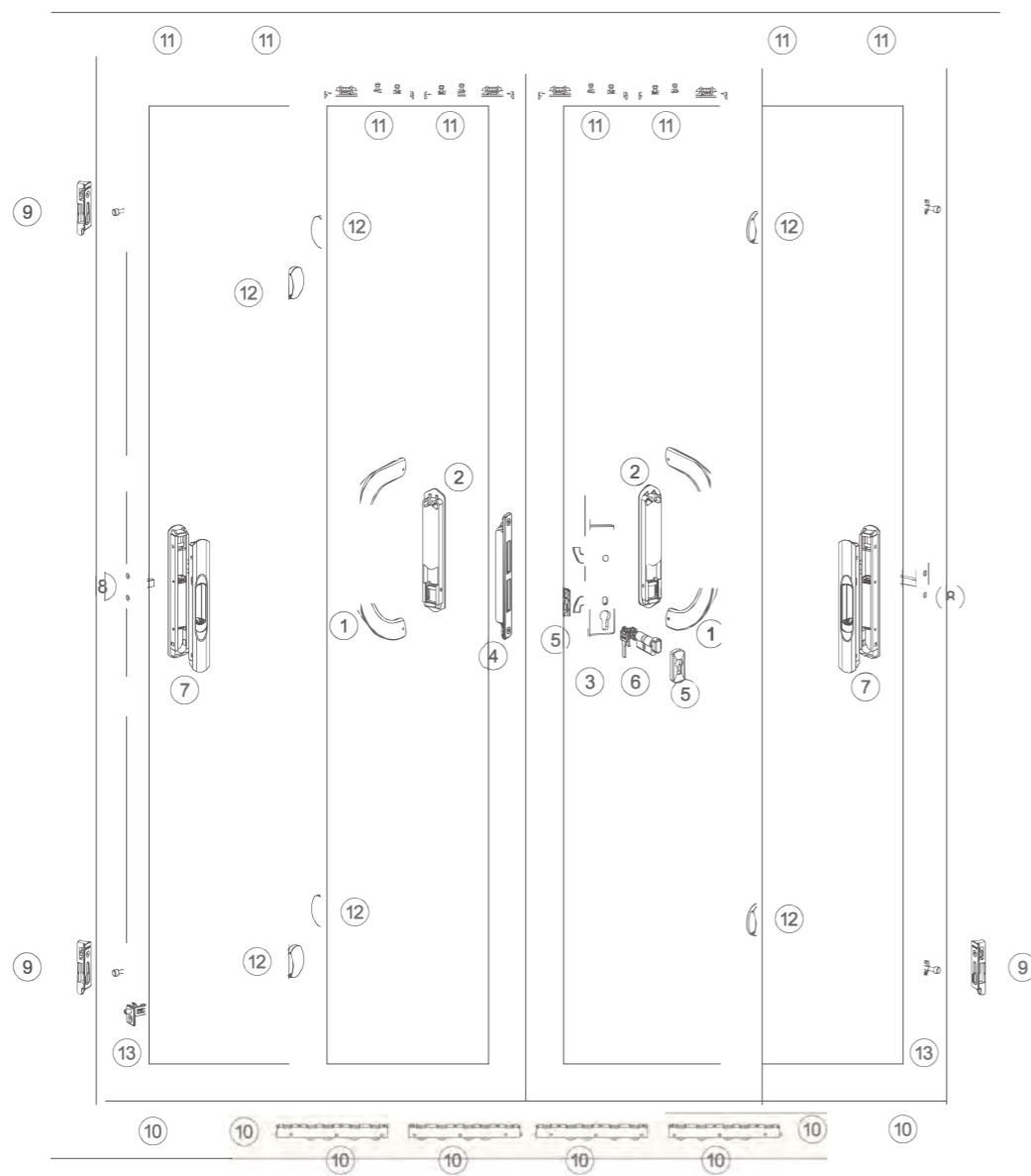
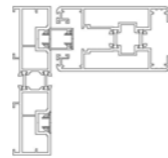


Configuration

Number	Product Name	Code	Quantity	Remark
1	Handle	ZCZS1615/I		Baking varnish
2	Handle buckle	ZCZS1615/II		Baking varnish
3	Sliding lock	ZTLS1510H		Oxidation (optional)
4	Anti-misoperation main transmission rod	ZCDG613	2	
5	Transmission rod	ZCDG422	4	
6	Locking hook	ZSKB21	4	
7	Roller	ZMHL2312	4	Depends on profile
8	Guide pulley	ZDXL1140	4	Depends on profile
9	Anti-strike block	ZFZK11	4	

Z-TLM300 Series

Four-sash Sliding Door Series

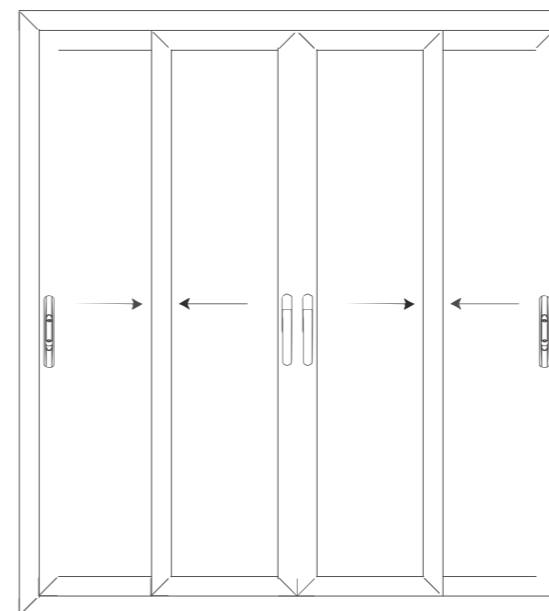
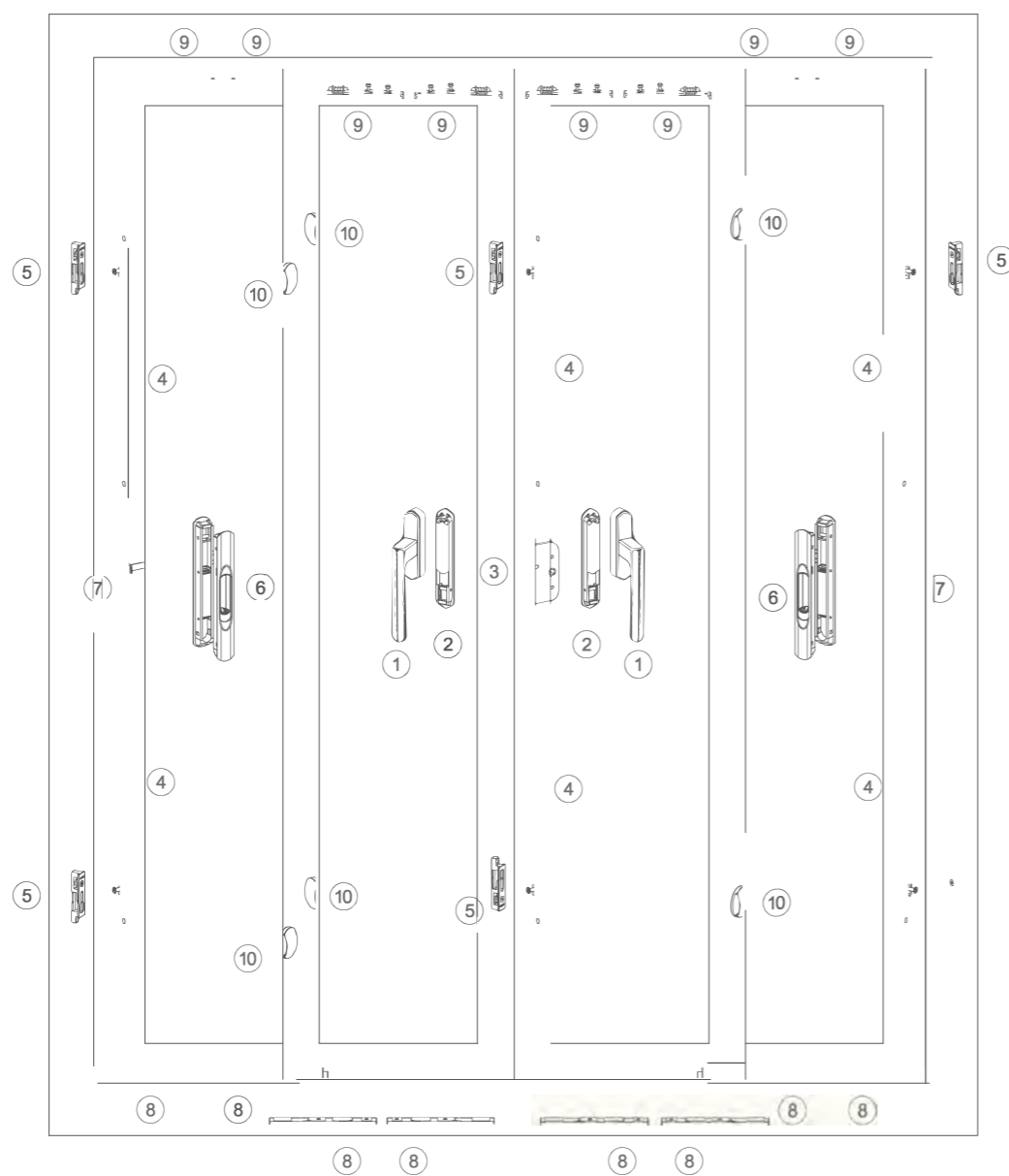
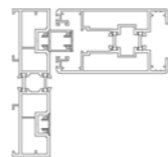


Configuration

Number	Product Name	Code	Quantity	Remark
2	Handle	ZLSA2131	2	Oxidation (optional)
3	Handle buckle	ZCZS1615/II	2	Baking varnish
4	Hook lock	ZGSB2820/II		
5	Cover plate	ZKMB20		
6	Cylinder box	ZSXH20	2	Oxidation
7	Cylinder	KIL3737/T		Depends on profile
8	Sliding lock	ZTLS1510H	2	Oxidation (optional)
9	Transmission rod	ZCDG421-1000	2	1500mm and 1800mm to choos
10	Locking hook	ZSKB21	4	
11	Roller	ZMHL4410	8	Depends on profile
12	Guide pulley	ZDXL1140	8	Depends on profile
13	Anti-strike block	ZFZK12	6	
13	Anti-misoperationdevice	ZFWQ21	2	

Z-TLM400 Series

Four-sash Sliding Door Series

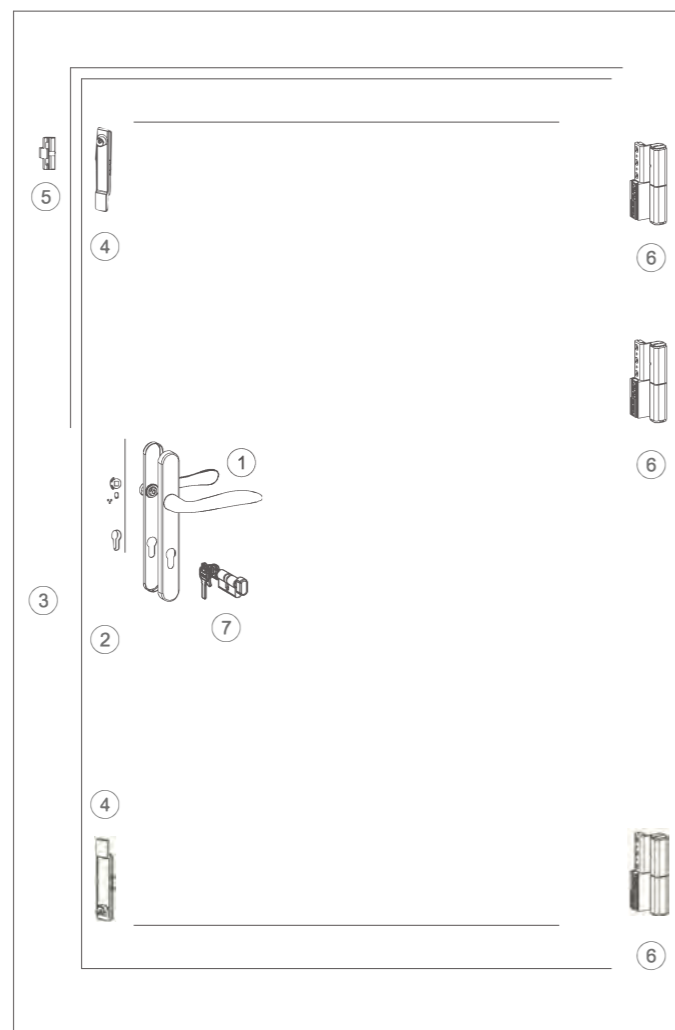
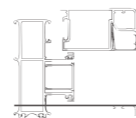


Configuration

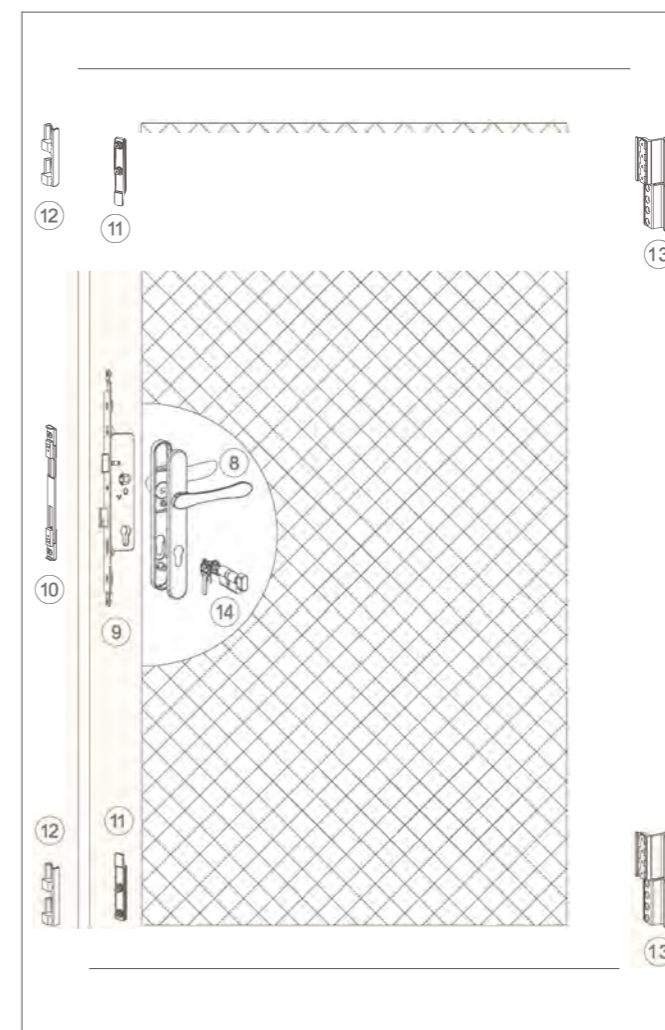
Configuration Number	Product Name	Code	Quantity	Remark
	Handle	ZCZS8611	2	Baking varnish
2	Handle buckle	ZCZS1615/II	2	Baking varnish
3	Transmitter	ZCDQ211	1	
4	Transmission rod	ZCDG422	6	
5	Locking hook	ZSKB21	6	
6	Sliding lock	ZTLS1510H	2	Oxidation (optional)
7	Anti-misoperation main transmission rod	ZCDG613	2	
8	Roller	ZMHL2310	8	Depends on profile
9	Guide pulley	ZDXL1140	8	Depends on profile
10	Anti-strike block	ZFZK12	6	

Z-SMM100 Series

Screen Door Series



Open-in single-sash door



Open-out Screen door

Configuration

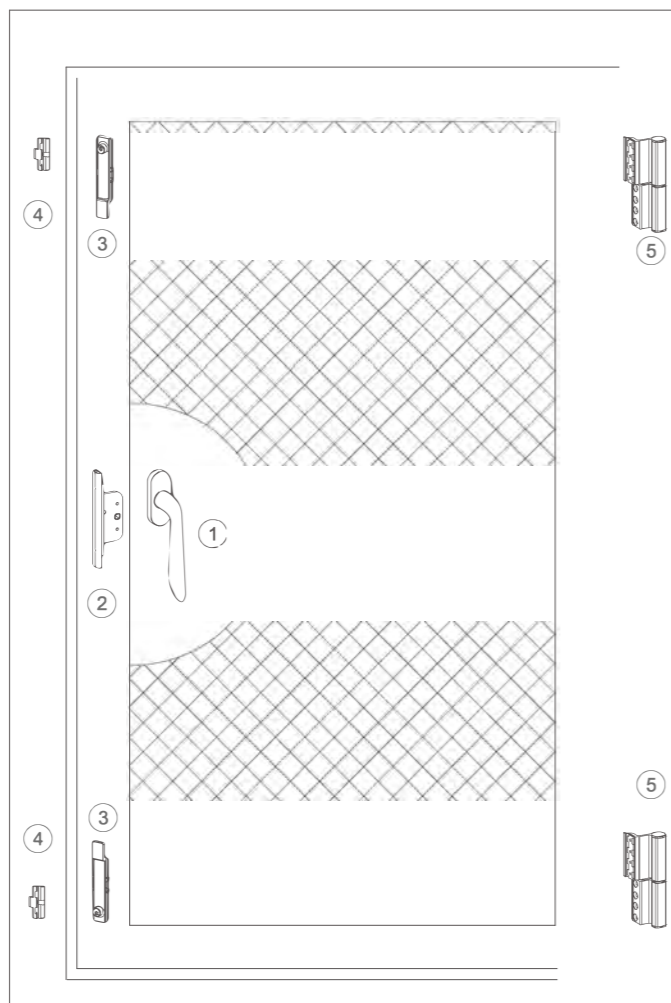
Number	Product Name	Code	Quantity	Remark
	Screen door handle	ZMZS1723		Oxidation
2	Door lock	ZMSB3210/I		
3	Cover plate	ZKMB11		
4	Side transmission rod	ZCDG715/I	2	
5	Lock plate	ZSKA11A	2	
6	Hinge	ZMHY175	3	Oxidation (optional)
7	Cylinder	KIL3737/T		Depends on the thickness of profile

Configuration

Number	Product Name	Code	Quantity	Remark
8	Screen door handle	ZMZS1723	1	Oxidation
9	Door lock	ZMSB3210/I	1	
10	Cover plate	ZKMB11	1	
11	Side transmission rod	ZCDG713/I	2	
12	Locking plate	ZSKA15-L	2	Left&right
13	Hinge	ZCHY143	2	Oxidation (optional)
14	Cylinder	KIL3737/T	1	Depends on the thickness of profile

Z-SMM200 Series

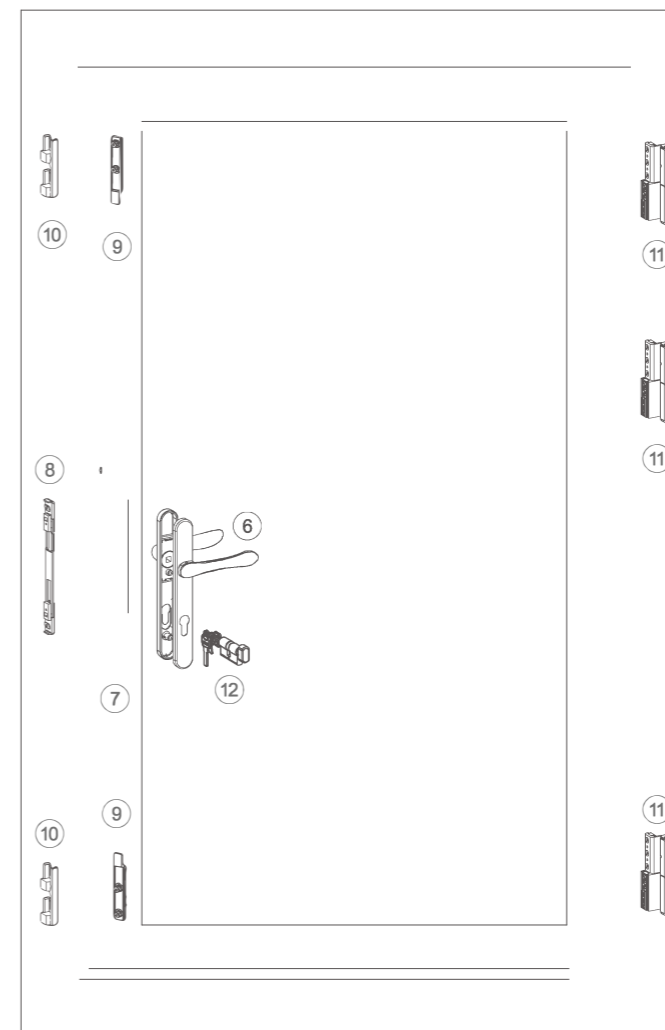
Screen Door Series



Open-in screen door

Configuration

Number	Product Name	Code	Quantity	Remark
1	Handle	ZCZS8420		Oxidation (optional)
2	Transmitter	ZCDQ211	1	
3	Side transmission rod	ZCDG715/I	2	
4	Lock plate	ZSKA11A	2	
5	Hinge	ZCHY143	2	Oxidation (optional)



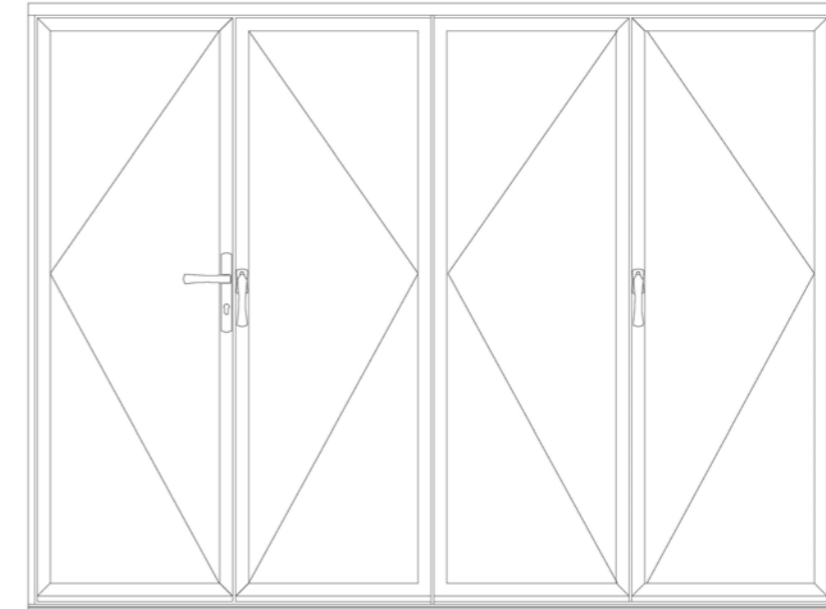
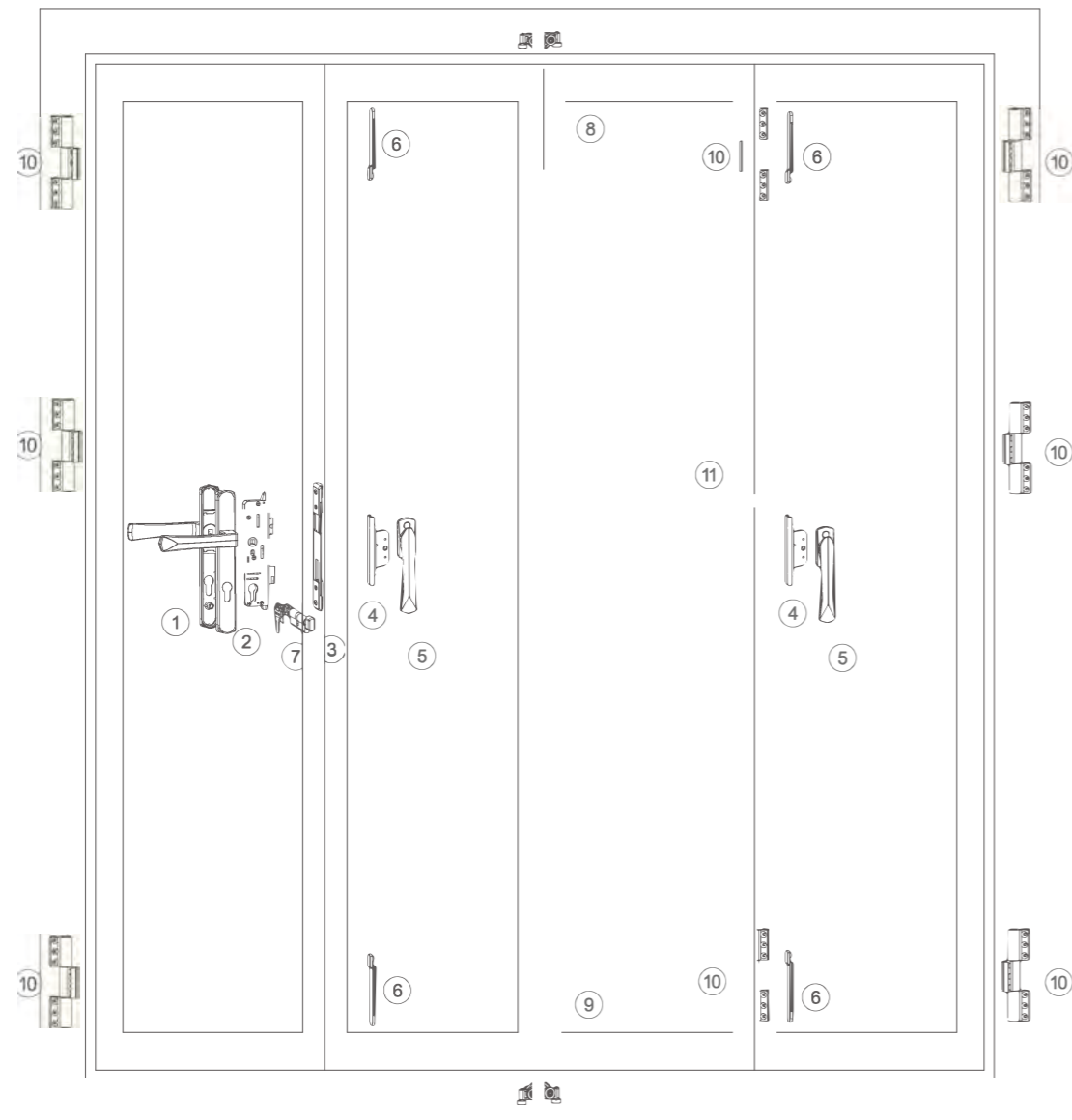
Open-out single -sash door

Configuration

Number	Product Name	Code	Quantity	Remark
6	Screen door handle	ZMZS1723		Oxidation
7	Door lock	ZMSB3210/I		
8	Cover plate	ZKMB11		
9	Side transmission rod	ZCDG713/I	2	
10	Locking plate	ZSKA15-L	2	Left&right
11	Hinge	ZMHY175	3	Oxidation (optional)
12	Cylinder	KIL3737/T		Depends on the thickness of profile

Z-FTL100 Series

Sliding and Folding Door Series



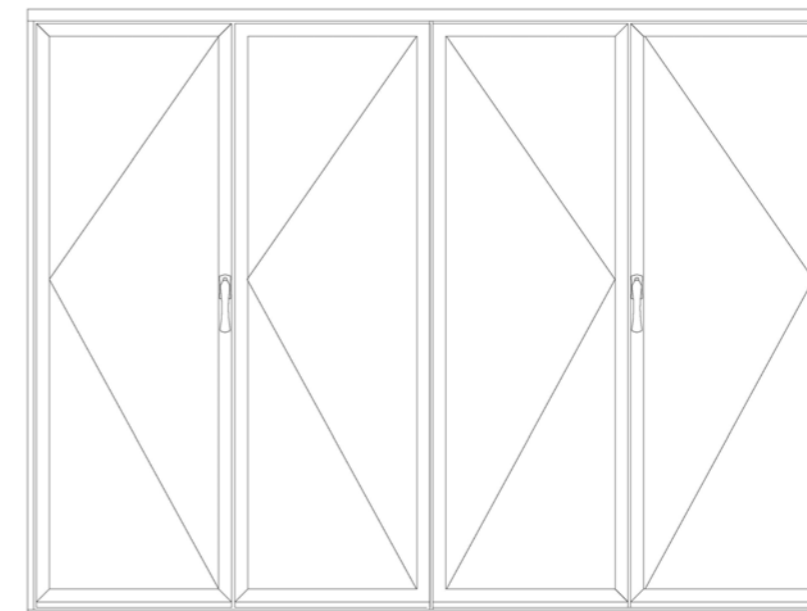
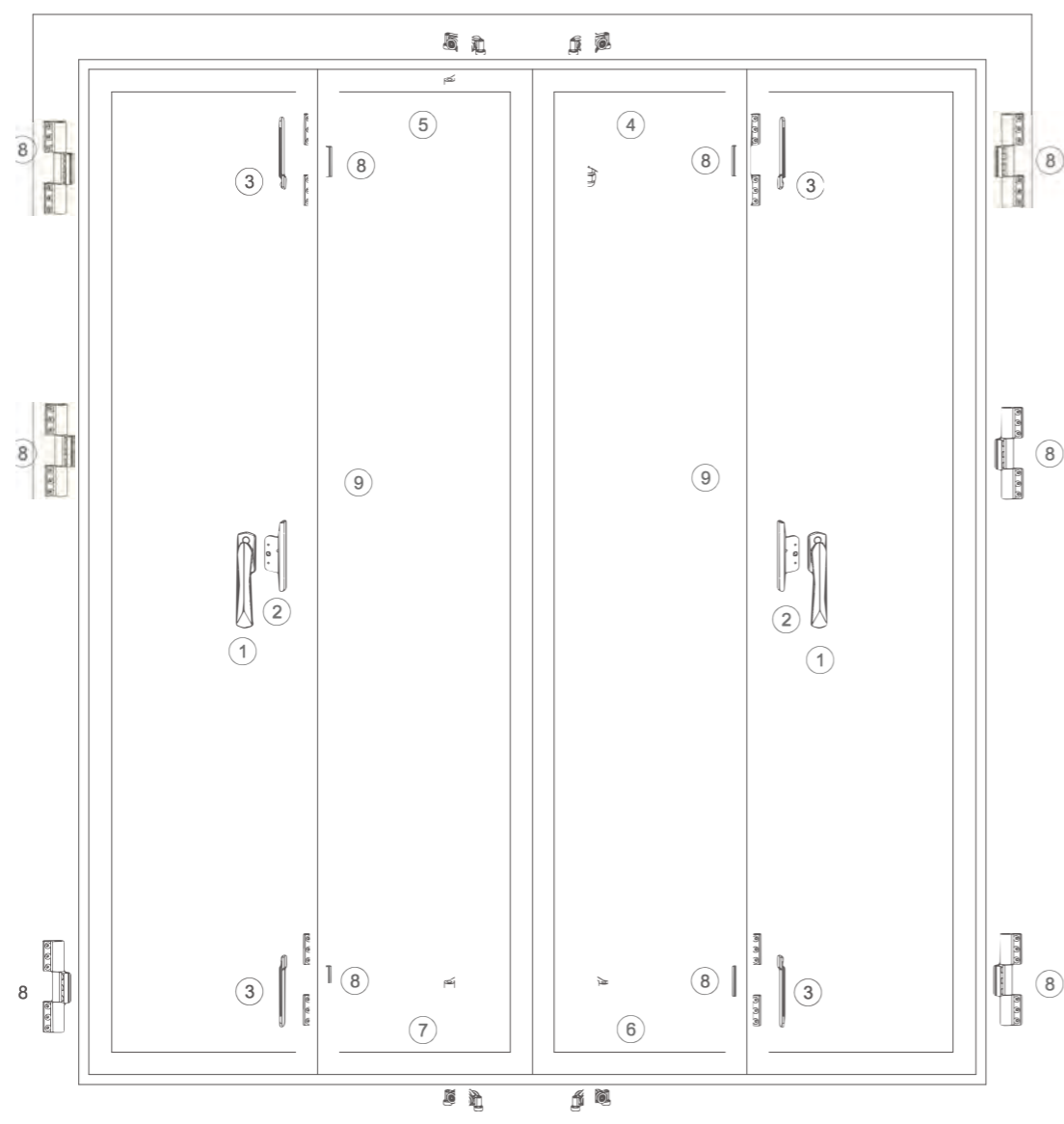
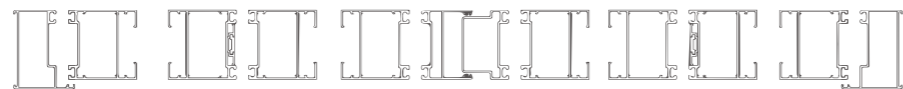
Sliding and folding door 431 configuration

Configuration

Number	Product Name	Code	Quantity	Remark
	Handle	ZMZS1730		Baking varnish (optional)
2	Door lock	ZMSB3210/II		
3	Cover plate	ZKMB11		
4	Transmitter	ZCDQ211	2	
5	Handle	ZCZS8630	2	Baking varnish (optional)
6	Shoot bolt	ZCXA23A	4	
7	Cylinder	KIL4747/T		
8	Upper pivot hinge system	ZFTL100-01		Baking varnish
9	Bottom pivot hinge system	ZFTL100-02		Baking varnish
10	Side pivot hinge	ZFTL100-05	8	Baking varnish
11	Handle hinge	ZFTL100-06		Baking varnish

Z-FTL100 Series

Sliding and Folding Door Series



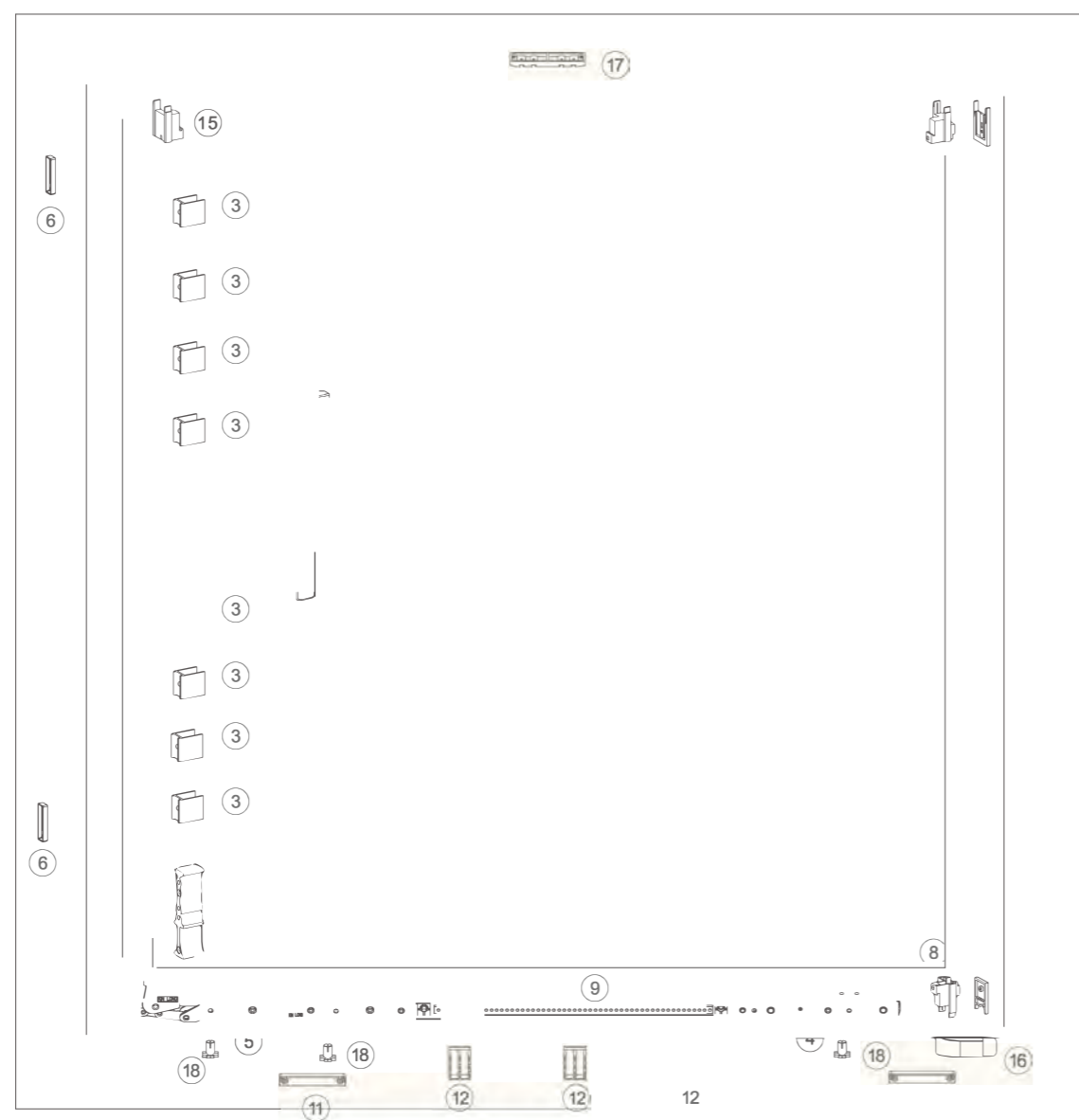
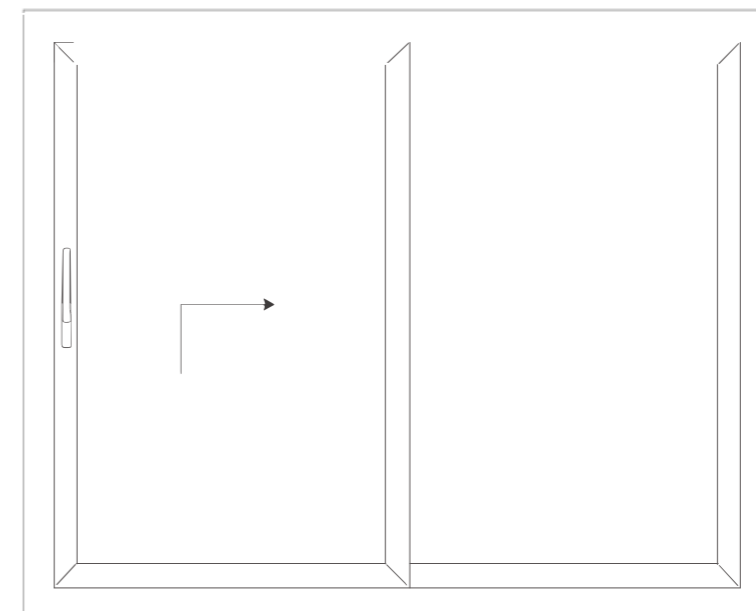
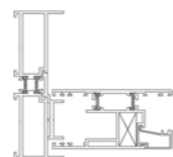
Sliding and folding door 422 configuration

Configuration

Number	Product Name	Code	Quantity	Remark
1	Handle	ZCZS8630	2	Baking varnish (optional)
2	Transmitter	ZCDQ211	2	
3	Latch	ZCXA23A	4	
4	Upper pivot hinge system	ZFTL100-03-L		Baking varnish
5	Upper pivot hinge system	ZFTL100-03-R		Baking varnish
6	Bottom pivot hinge system	ZFTL100-04-L		Baking varnish
7	Bottom pivot hinge system	ZFTL100-04-R		Baking varnish
8	Side pivot hinge	ZFTL100-05	10	Baking varnish
9	Handle hinge	ZFTL100-06	2	Baking varnish

Z-TTL100 Series

Lifting and Sliding Door Series

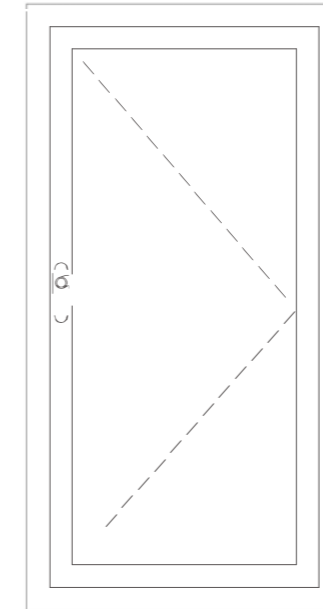
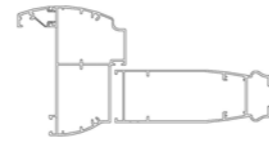


Configuration

Number	Product Name	Code	Quantity	Remark
1	Door handle	ZMZS9710		Baking varnish (optional)
2	Transmission lock	ZTTL100-01		
3	Supporting block	ZTTL100-02	8	
4	Back roller	ZTTL100-03		
5	Front roller	ZTTL100-04		
6	Locking hook	ZTTL100-05	2	
7	Left positioning block	ZTTL100-06-L		
8	Right positioning block	ZTTL100-06-R		
9	Connecting rod	ZTTL100-07		
10	Supporting Seat	ZTTL100-08		
11	Water cap	ZTTL100-09	2	
12	Supporting block	ZTTL100-10	3	
13	Left cover plate	ZTTL100-11-L		
14	Upper cover plate	ZTTL100-12		
15	Right end	ZTTL100-13-R		
16	Anti-strike block	ZFZK10		
17	Anti-theft piece	ZFDK20		
18	PVC cushion block	ZTTL100-15	3	

Z-WSM100 Series

Bathroom Door Series



Configuration

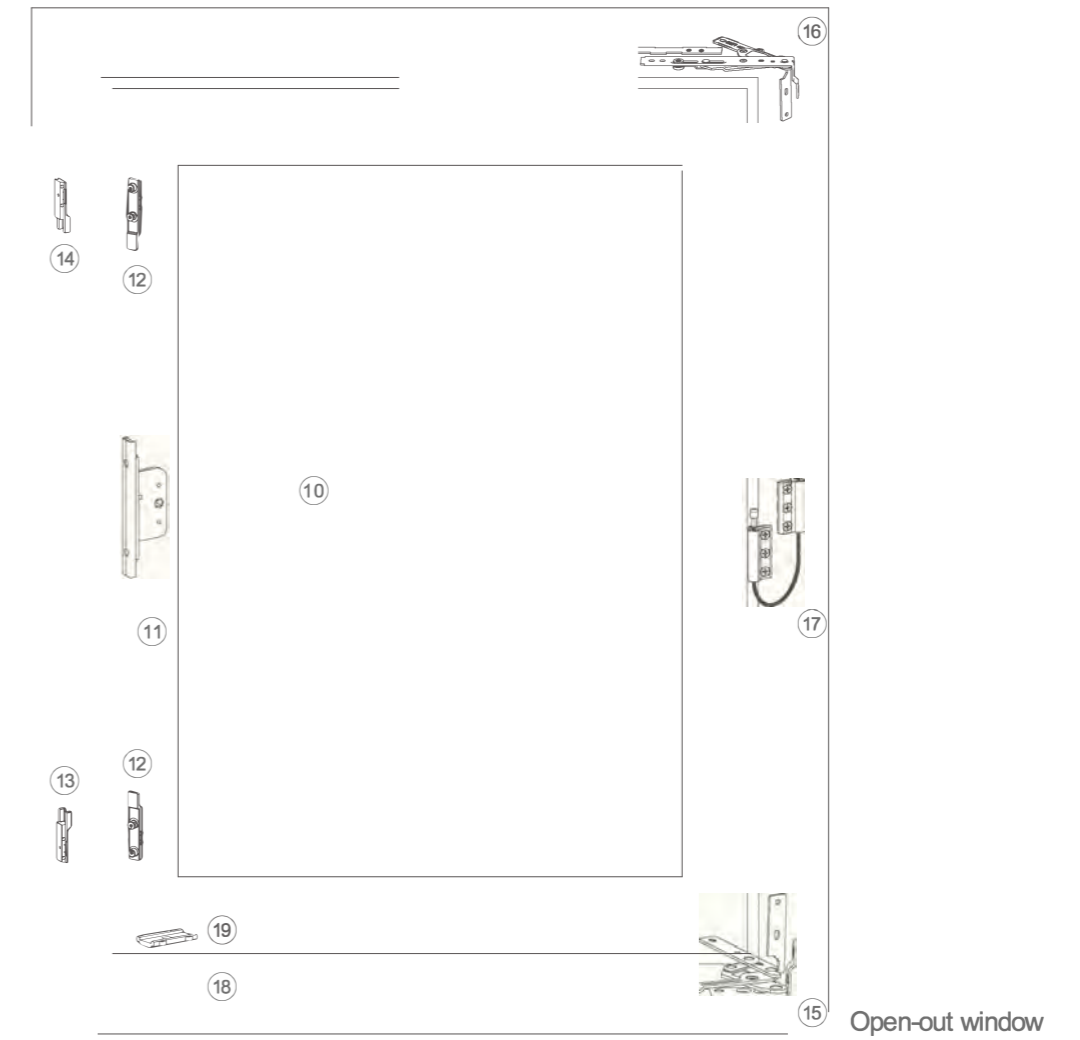
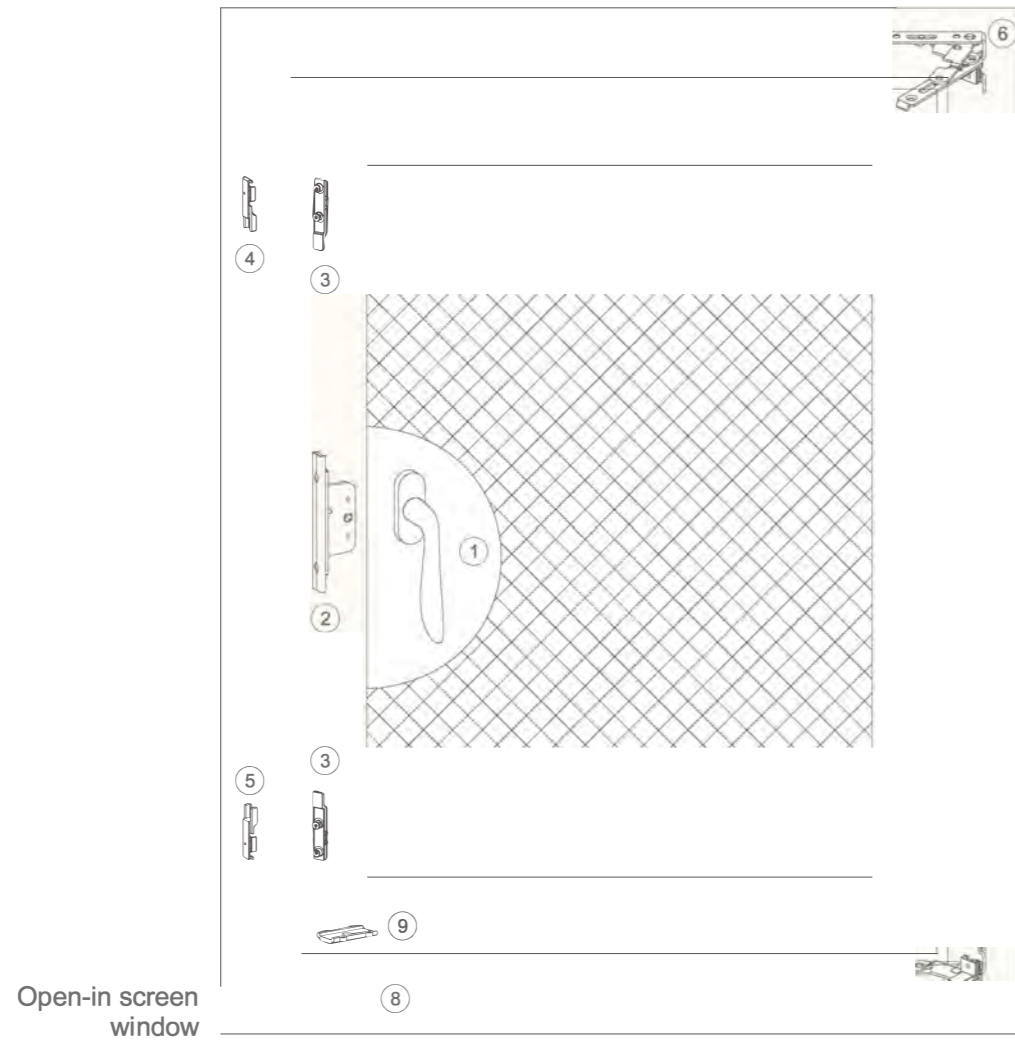
Number	Product Name	Code	Quantity	Remark
1	Door handle	ZMZS5822	1	Electroplating (optional)
2	Door lock	ZMSC3530	1	
3	Door hinge	ZMHY461-R	3	
4	Door stopper	ZMXA10	1	

Window Series



Z-SCC100 Series

Screen Window Series



Configuration

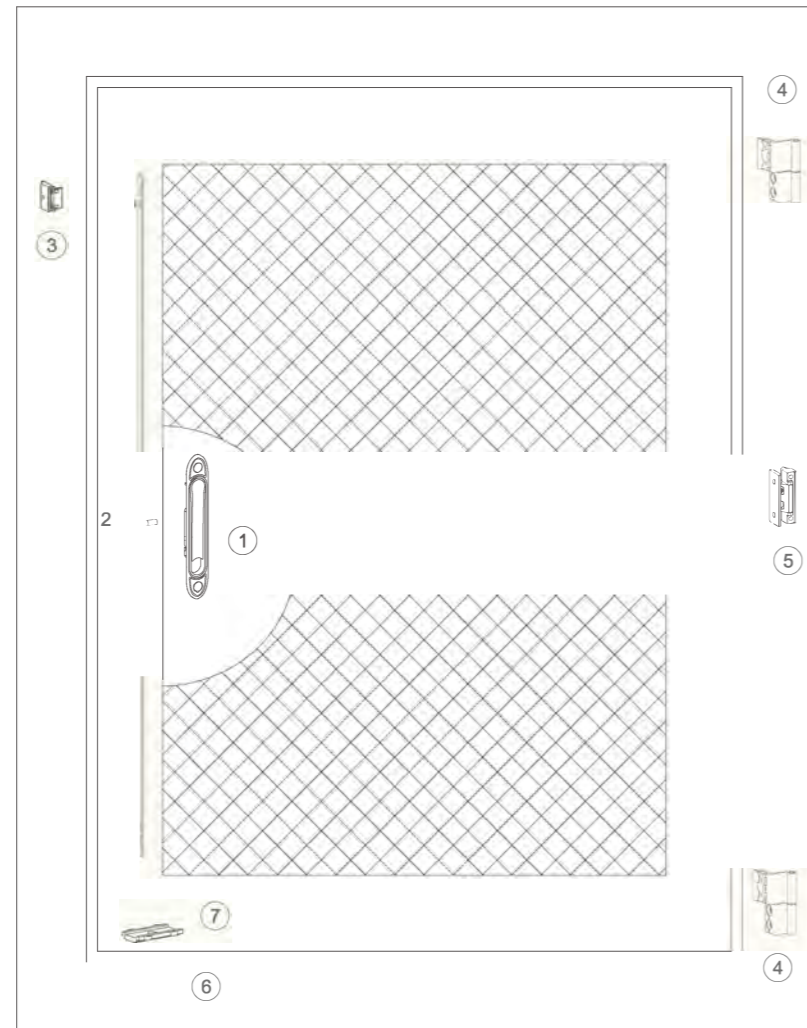
Number	Product Name	Code	Quantity	Remark
	Handle	ZCZS8420		Oxidation (optional)
2	Transmitter	ZCDQ211		
3	Side transmission rod	ZCDG713	2	
4	Locking plate	ZSKA13-L		
5	Locking plate	ZSKA13-R		
6	Concealed hinge	ZCHY810-L		Optional
7	Concealed hinge	ZCHY810-R		Optional
8	Supporting block	ZZCK13		
9	Supporting block B	ZZCK12		

Configuration

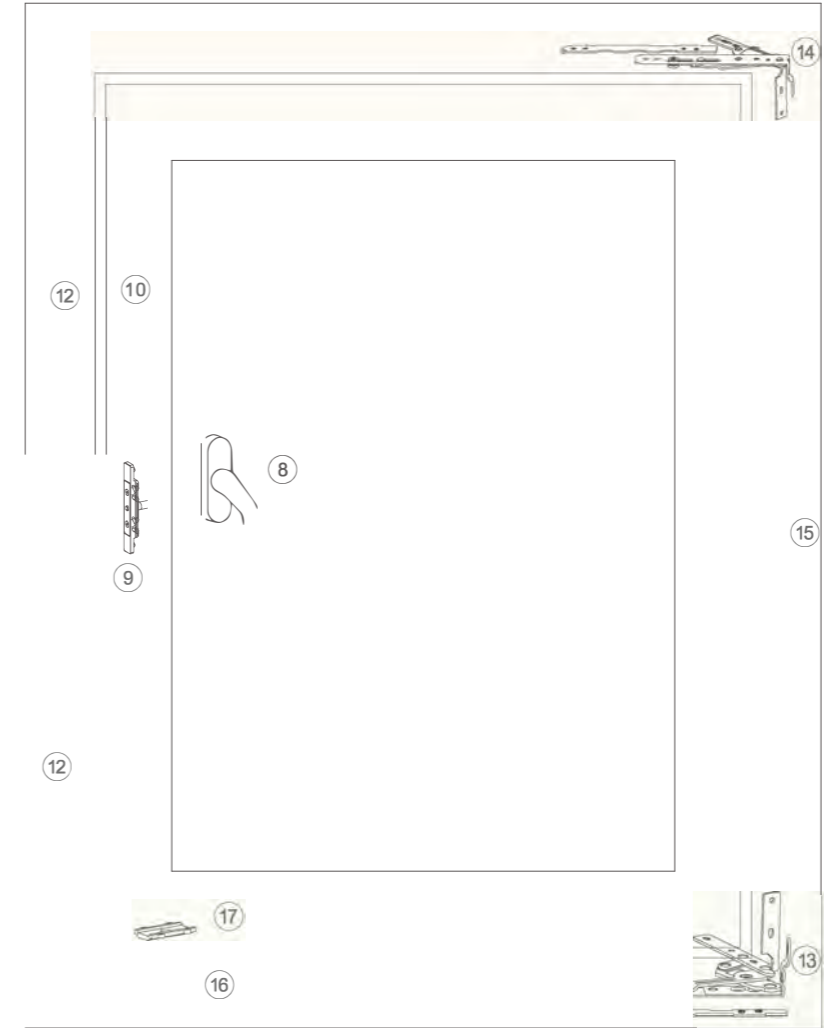
Number	Product Name	Code	Quantity	Remark
10	Handle	ZCZS8530-R		Oxidation Left&right (optional)
11	Transmitter	ZCDQ211	1	
12	Side transmission rod	ZCDG713	2	
13	Locking plate	ZSKA13-L		
14	Locking plate	ZSKA13-R		
15	Friction stay	ZJLA10-R-X		
16	Friction stay	ZJLA10-R-S		
17	Disengagement preventer	ZFTQ10		Oxidation
18	Supporting block	ZZCK13		
19	Supporting block B	ZZCK12		

Z-SCC200 Series

Screen Window Series



Open-in screen window



Open-out window

Configuration

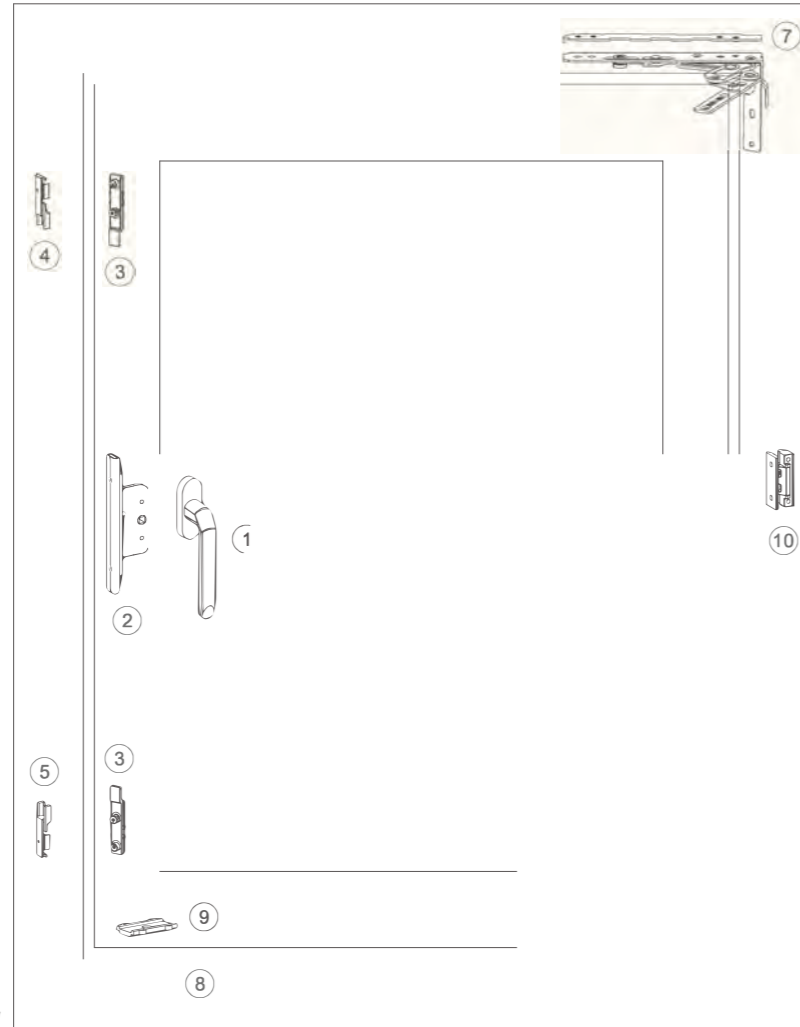
Number	Product Name	Code	Quantity	Remark
1	Concealed fork handle	ZCZS1521-R	1	Baking varnish Left&right (optional)
2	Side transmission rode	ZCDG110-1000	1	Depends on the window size
3	Locking plate	ZSKA14	2	
4	Screen window hinge	ZCHY113	2	Optional
5	Middle locking plate	ZZSK11	1	
6	Supporting block	ZZCK13	1	
7	Supporting block B	ZZCK12	1	

Configuration

Number	Product Name	Code	Quantity	Remark
8	Handle	ZCZS1531-R		Baking finish Left&right (optional)
9	Main transmission rod	ZCDG614		
10	Side transmission rod	ZCDG713		
11	Side transmission rod	ZCDG713/X		
12	Locking plate	ZSKA13-R	2	
13	Friction stay	ZJLA10-R-X	1	
14	Friction stay	ZJLA10-R-S		
15	Disengagement preventer	ZFTQ10		Oxidation
16	Supporting block	ZZCK13		
17	Supporting block B	ZZCK12		

Z-SCC300 Series

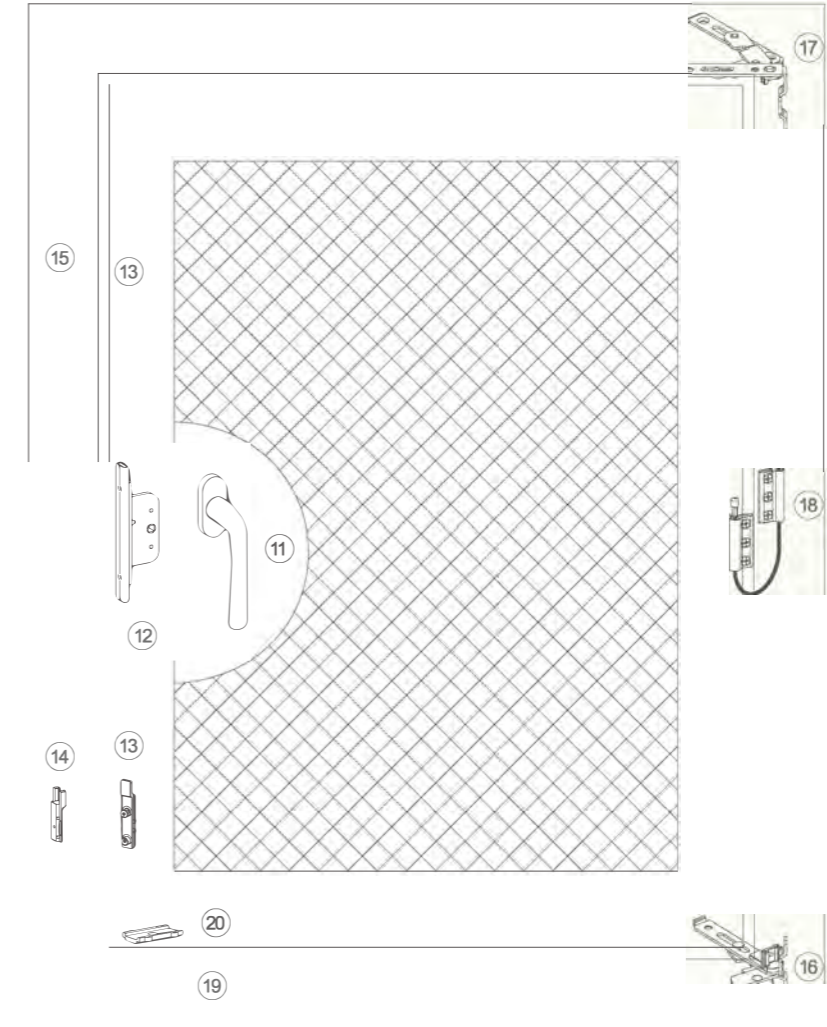
Screen Window Series



Open-in window

Configuration

Number	Product Name	Code	Quantity	Remark
1	Handle	ZCZS8423		Oxidation(optional)
2	Transmitter	ZCDQ211		
3	Side transmission rod	ZCDG713	2	
4	Locking plate	ZSKA13-L		
5	Locking plate	ZSKA13-R		
6	Friction stay	ZJLA10-L-X		
7	Friction stay	ZJLA10-L-S		
8	Supporting block	ZZCK13		
9	Supporting block B	ZZCK12		
10	Middle locking plate	ZZSK11		



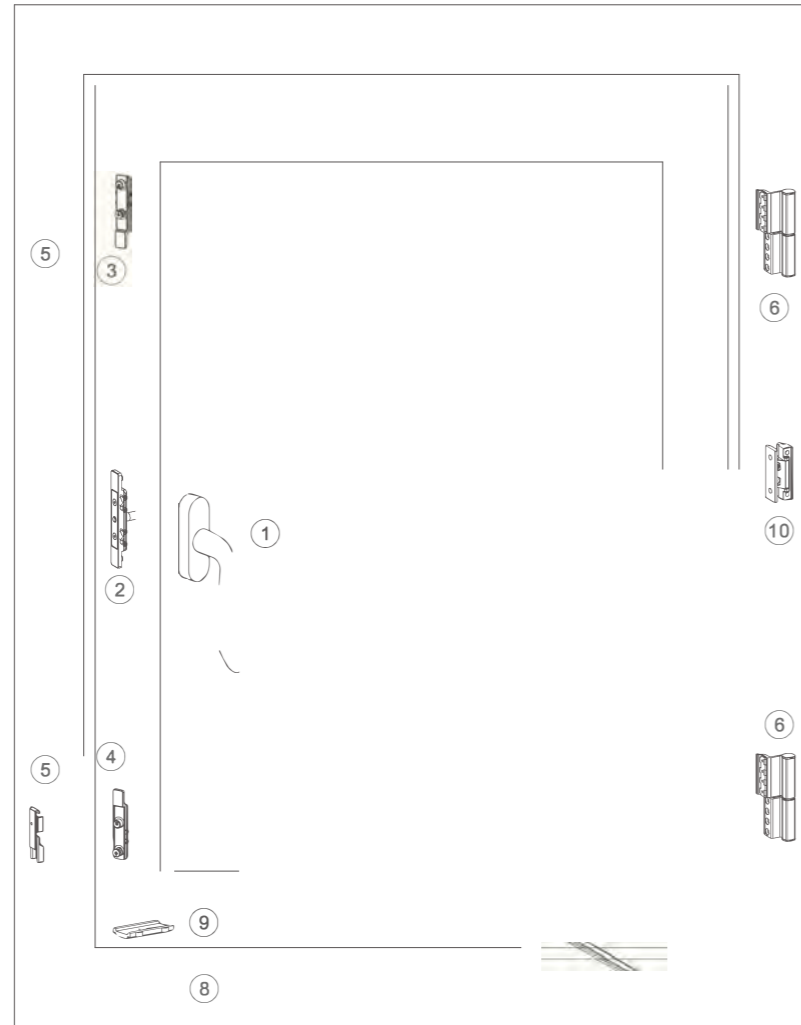
Open-out screen window

Configuration

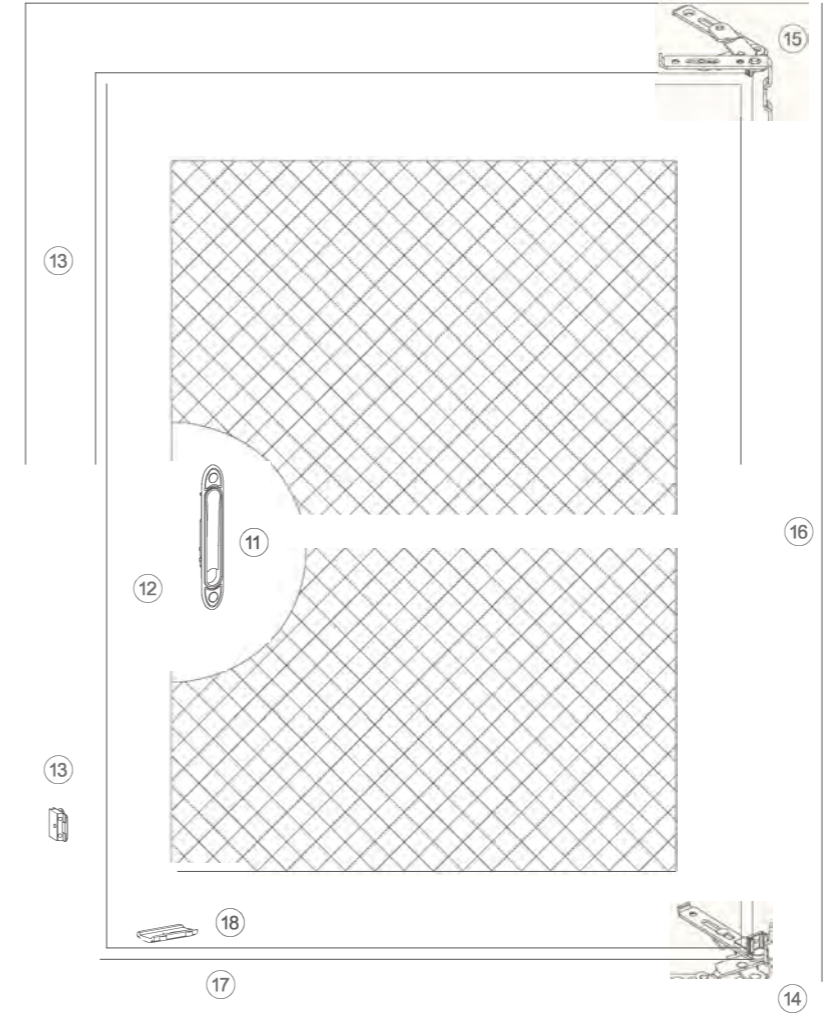
Number	Product Name	Code	Quantity	Remark
11	Handle	ZCZS8530-R	1	Oxidation Left&right (optional)
12	Transmitter	ZCDQ211	1	
13	Side transmission rod	ZCDG713	2	
14	Locking plate	ZSKA13-L	1	
15	Locking plate	ZSKA13-R	1	
16	Concealed hinge	ZCHY810-L	1	Optional
17	Concealed hinge	ZCHY810-R	1	Optional
18	Disengagement preventer	ZFTQ10	1	Oxidation
19	Supporting block	ZZCK13	1	
20	Supporting block B	ZZCK12	1	

Z-SCC400 Series

Screen Window Series



Open-in window



Open-out screen window

Configuration

Number	Product name	Code	Quantity	Remark
	Handle	ZCZS1512	1	Oxidation (optional)
2	Main transmission rod	ZCDG614	1	
3	Side transmission rod	ZCDG713	1	
4	Side transmission rod	ZCDG713/X	1	
5	Lock plate	ZSKA13-L	2	
6	Hinge	ZCHY143	2	Oxidation (optional)
7	Limiter	ZXWQ10A-10"	1	Depends on the window size
8	Supporting block	ZZCK13	1	
9	Supporting block B	ZZCK12	1	
10	Middle locking plate	ZZSK11	1	

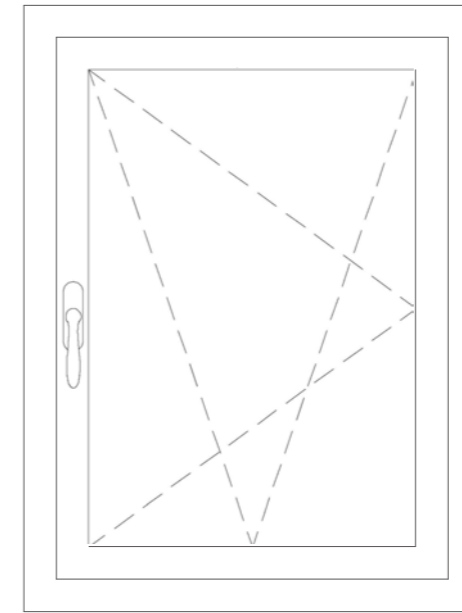
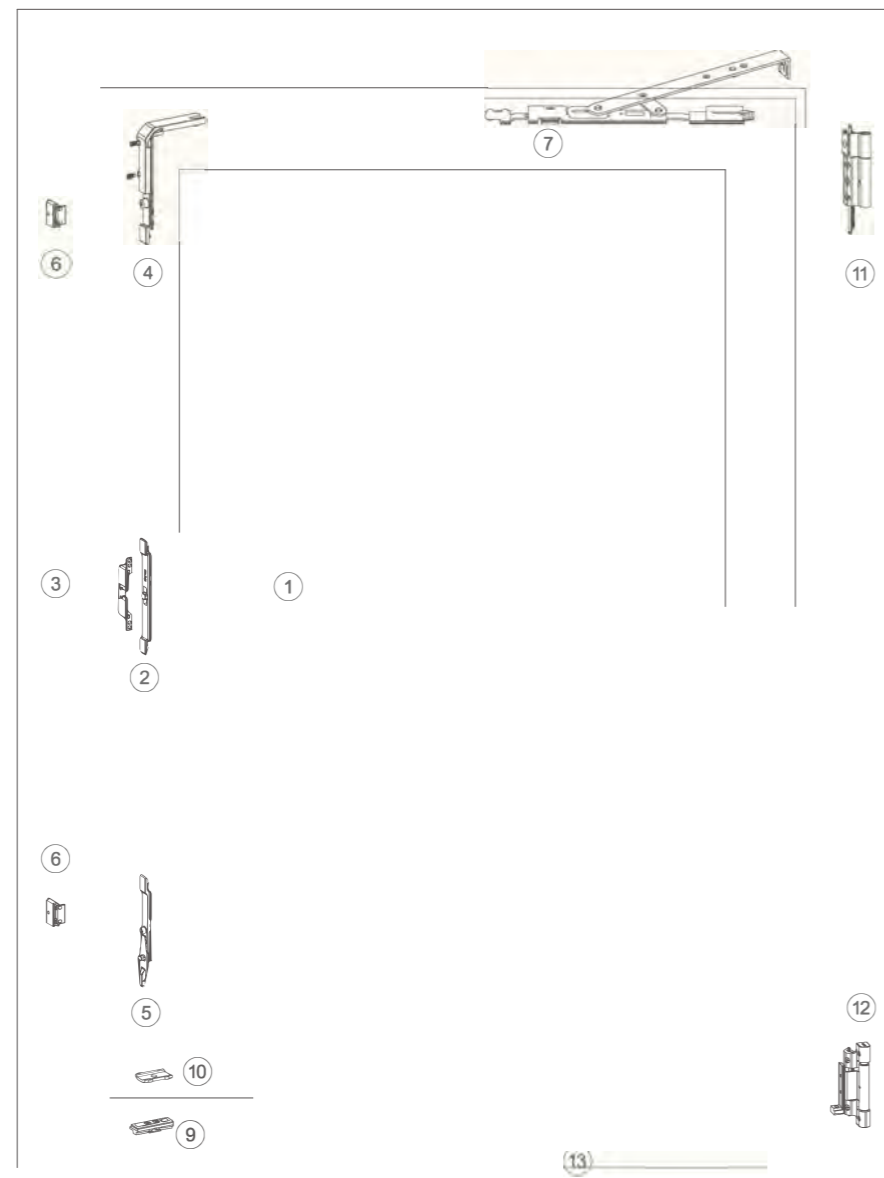
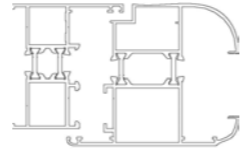
Configuration

Number	Product name	Code	Quantity	Remark
11	Concealed fork handle	ZCZS1521-R	1	Baking varnish Left&right (optional)
12	Transmission rod	ZCDG110/l-1000	1	Depends on the window size
13	Locking plate	ZSKA14	2	
14	Concealed hinge	ZCHY810-L	1	ordinary hinge is optional
15	Concealed hinge	ZCHY810-R	1	ordinary hinge is optional
16	Disengagement preventer	ZFTQ10	1	Oxidation
17	Supporting block	ZZCK13	1	
18	Supporting block B	ZZCK12	1	

Z-NPD100 Series

Turn and Tilt Window Series

1. Applicable to window sash with 450-650mm width & 600-1800mm height.
2. The basic bearing capacity is 90kg, and can be increased to 130kg.
Recommended window type (Height/width) is 1.5:1



Configuration

Number	Product Name	Code	Quantity	Remark
	Handle	ZCZS2720		
2	Main transmission rod	ZCDG611A		Optional Squaresteel
3	Anti-misoperation device	ZFWQ20A		
4	Corner device	ZZJQ20A		
5	Latch	ZCXA20A		Optional Anti-theft configuration
6	Locking plate	ZSKA14	2	
7	connecting rod	ZXLG20A		
8	Disengagement preventer	ZFTK20A		Optional
9	Supporting block	ZZCK10A		
10	Supporting block B	ZZCK12		
11	Upper pivot hinge	ZCHY181		Baking finish Left&right
12	Bottom pivot hinge	ZCHY182		Baking finish Left&right
13	Water cap	ZFSG20	2	
14	Limiter	ZXWQ10A-10"		Depends on the window size

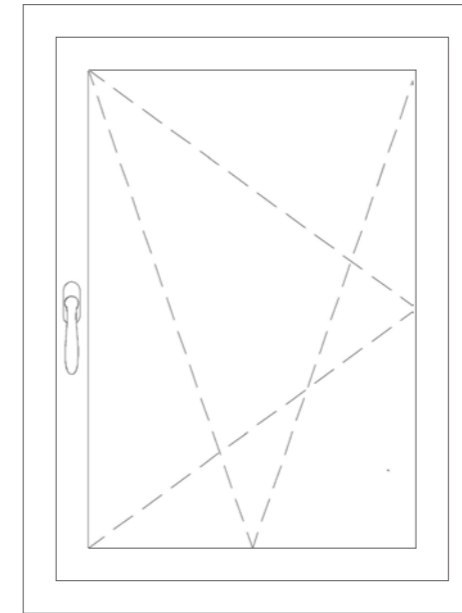
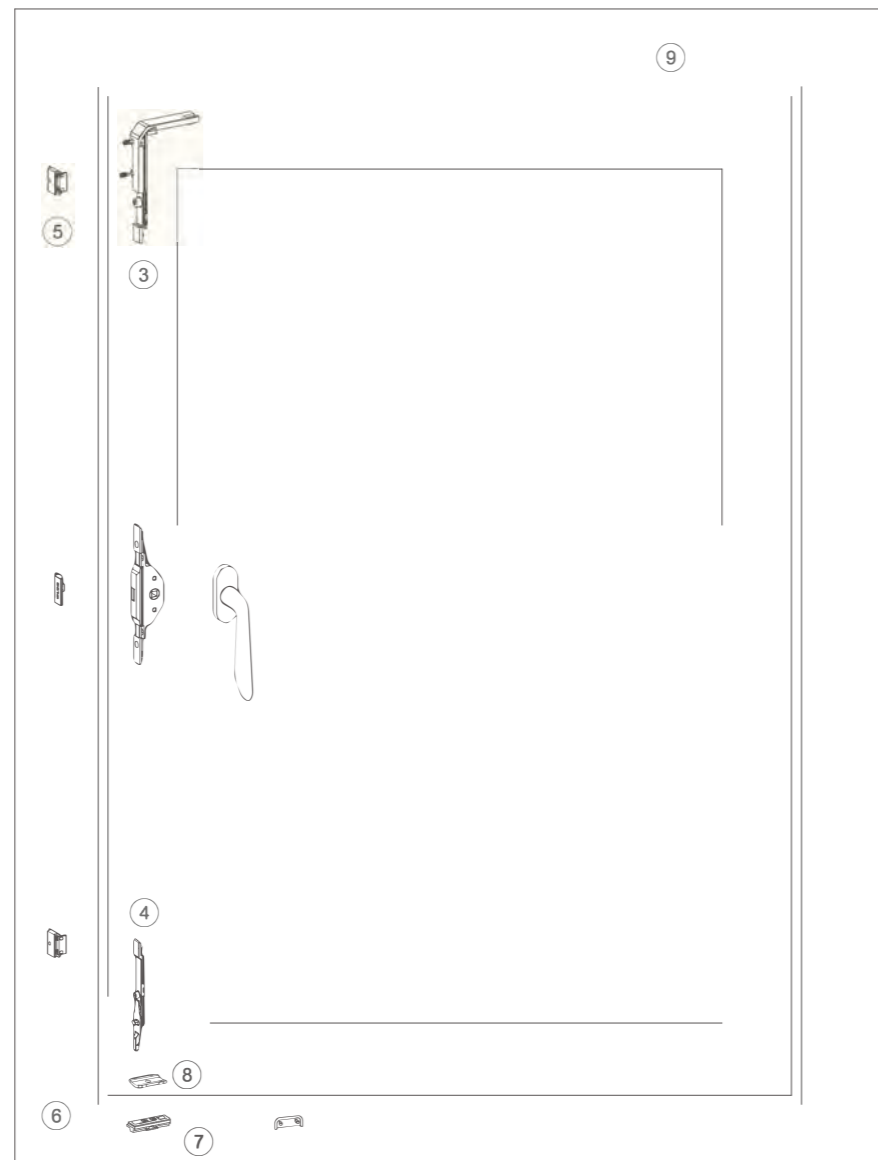
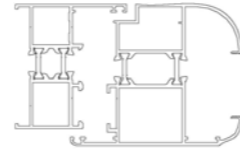
Optional Anti-theft configuration

1	Corner device	ZZJQ20A/I		Mushroom-head locking point
2	Latch	ZCXA20A/I		Mushroom-head locking point
3	Locking plate	ZSKA19	2	

Z-NPD200 Series

Turn and Tilt Window Series

1. Applicable to window sash with 550-800mm width & 600-1500mm height
2. Bearing capacity ≤ 90kg. Recommended window type (Height/width) is 1.5:1

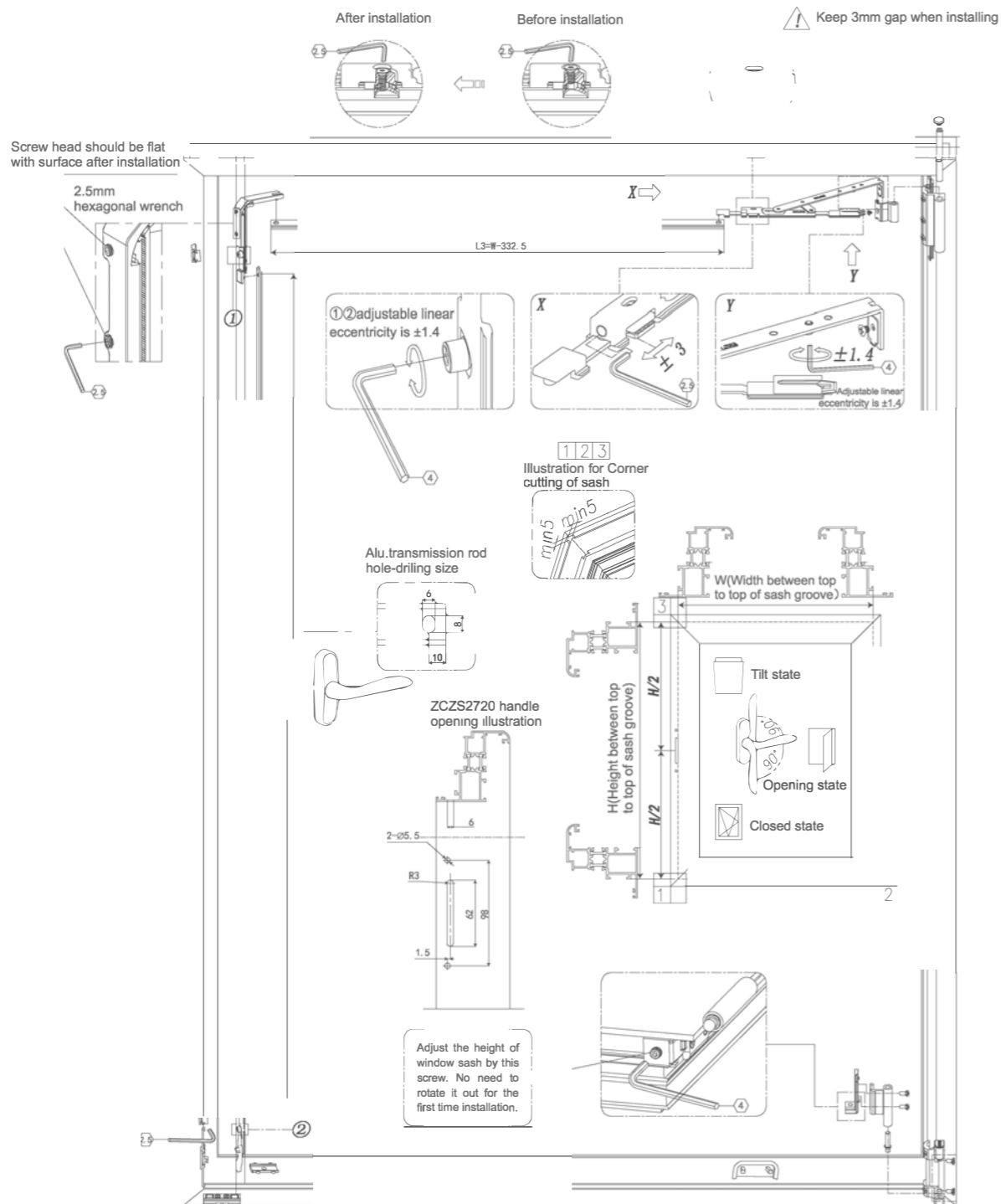


Configuration

Number	Product name	Code	Quantity	Remark
	Handle	ZCZS8420		Optional fork style handle
2	Anti-misoperation device	ZCDQ120		
3	Corner device	ZZJQ20A		
4	Latch	ZCXA20A		Optional Anti-theft configuration
	Locking plate	ZSKA14	2	
6	Disengagement preventer	ZFTK20A		Optional
7	Supporting block	ZZCK10A		
8	Supporting block B	ZZCK12		
9	Upper pivot hinge	ZCHY841-R		Left&right
10	Bottom pivot hinge	ZCHY842-R		Left&right
11	Water cap	ZFSG20	2	
12	Limiter	ZXWQ10A-10"		Depends on the window size
Optional Anti-theft configuration				
1	Corner device	ZZJQ20A/I		Mushroom-head locking point
2	Latch	ZCXA20A/I		Mushroom-head locking point
3	Locking plate	ZSKA19	2	

Z-NPD100 Series

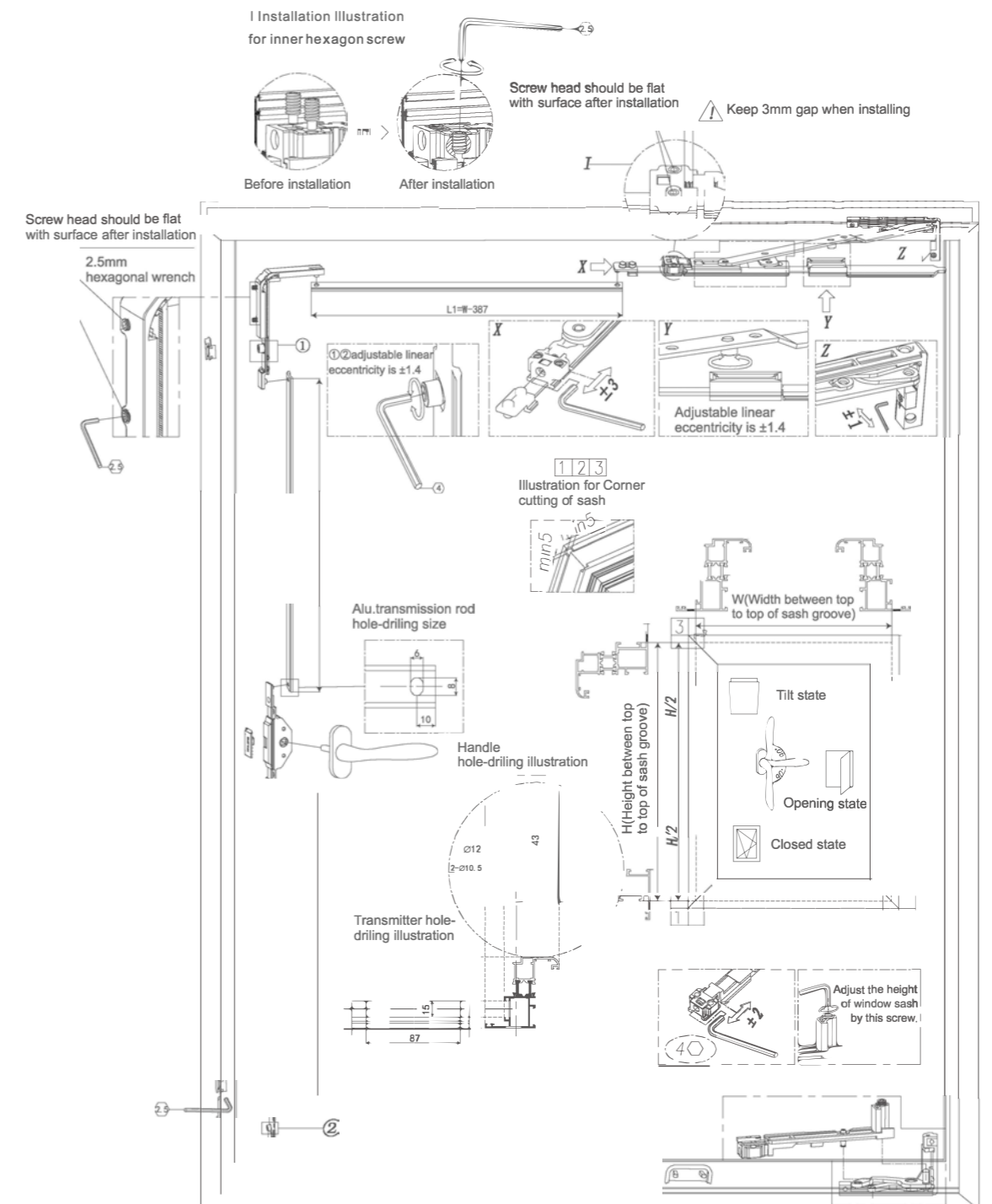
Adjustment illustration for Turn and Tilt Window



Remark: "○" stands for the specification of hexagonal wrench

Z-NPD200 Series

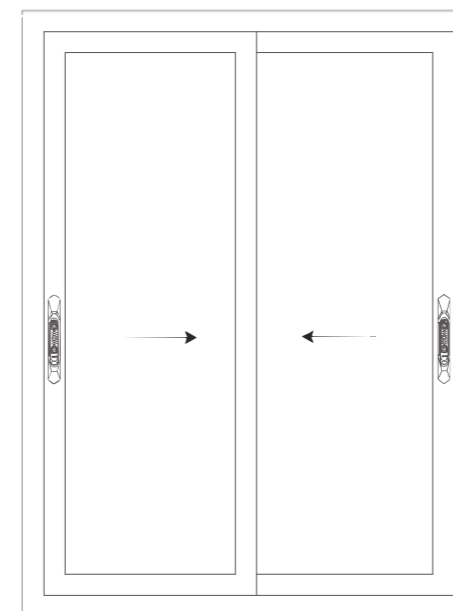
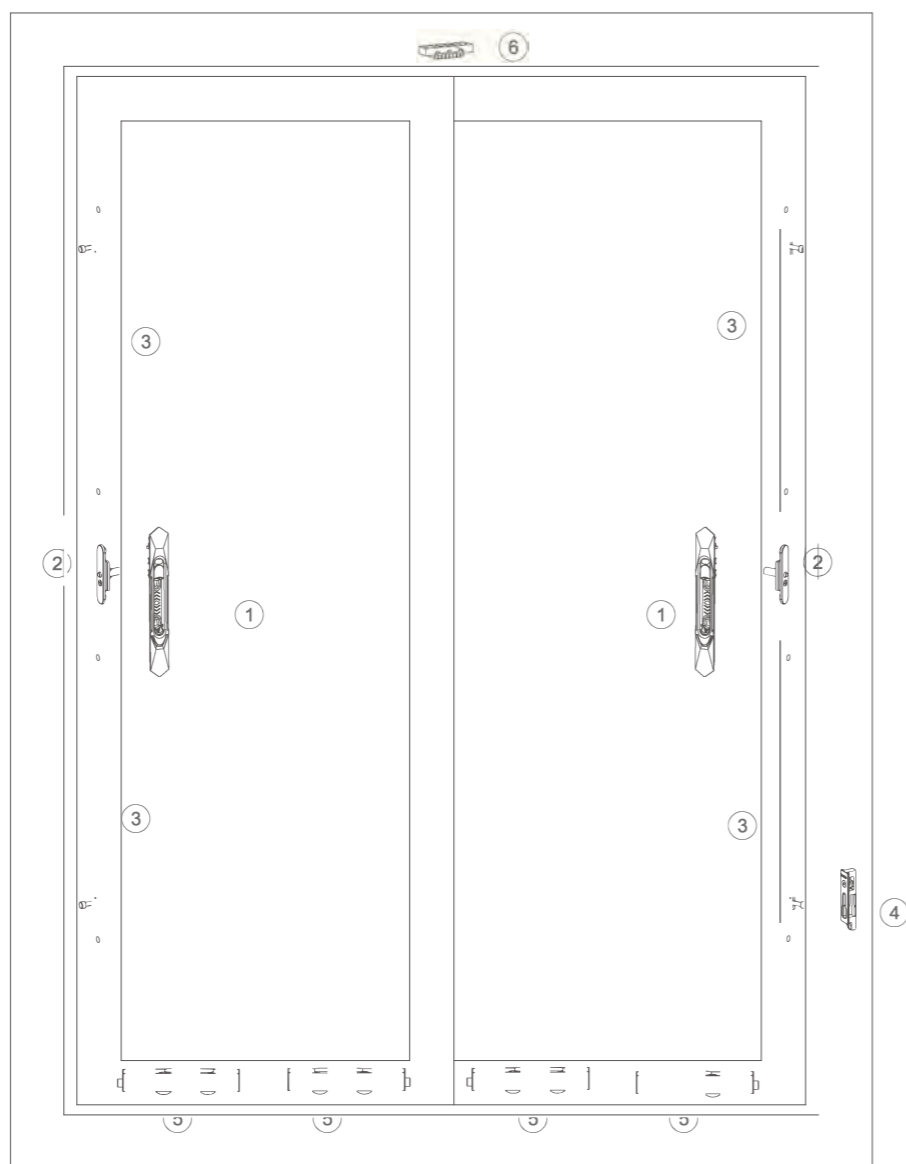
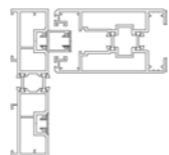
Adjustment illustration for Turn and Tilt Window



Remark: "○" stands for the specification of hexagonal wrench

Z-TLC100 Series

Sliding window



Configuration

Number	Product Name	Code	Quantity	Remark
	Sliding lock	ZTLS1230	2	Baking Varnish (optional)
2	Main transmission rod	ZCDG610	2	
3	Side transmission rod	ZCDG422	4	
4	Lock plate	ZSKB21	4	
5	Roller	ZMHL2312	4	Depends on the profile
6	Anti-theft piece	ZFDK10		

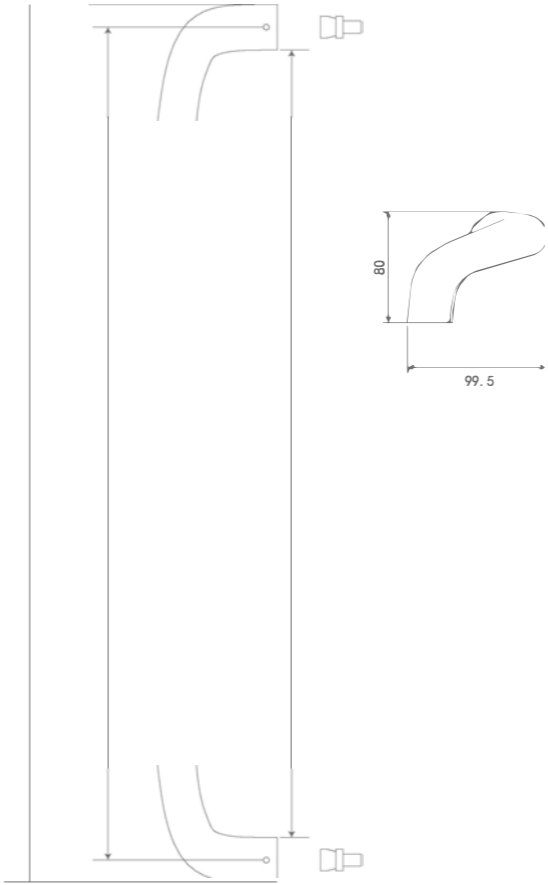
Sliding handle Series

Handle Series



Product name: Handle
 Code: ZLSA3130
 Surface finish: Anodic oxidation
 Applicable system: Sliding door
 Remark: Center distance is 600mm

Optional color:
 Elegant gold Fashion silver Brilliant gold Antique brass

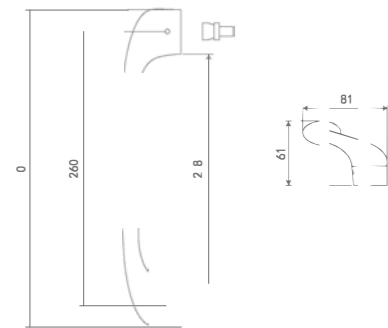


The color of the picture is subject to physical object

Handle Series

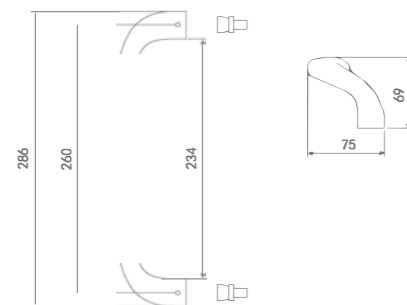
Product name: Handle
 Code: ZLSA2120
 Surface finish: Decorative baking varnish
 Applicable system: Sliding door
 Remark: Center distance is 260mm

Optional color: Elegant gold Fashion silver Brilliant gold
 Antique brass Light ink black Pearl white



Product name: Handle
 Code: ZLSA2130
 Surface finish: Anodic oxidation
 applicable system : Sliding door
 Remark: Center distance is 260mm

Optional color: Elegant gold Fashion silver Brilliant gold Antique brass

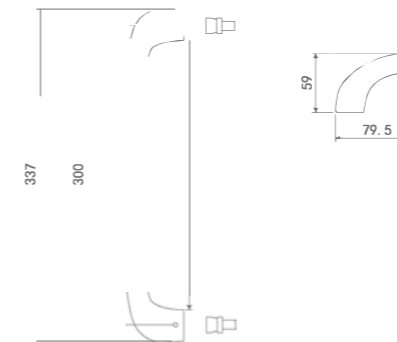


Patent

Handle Series

Product name: Handle
 Code: ZLSA2131
 Surface finish: Anodic oxidation
 Applicable system: Sliding door
 Remark: Center distance is 300mm

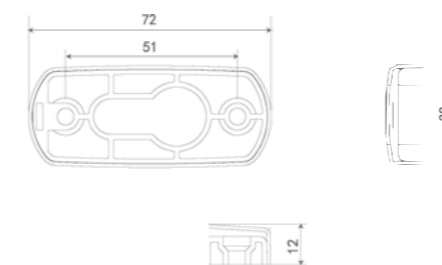
Elegant gold: Elegant gold Fashion silver Brilliant gold Antique brass



Patent

Product name: Cylinder box
 Code: ZSXH20
 Surface finish: Anodic oxidation
 Applicable system: Sliding door
 Remark: Used together with cylinder

Elegant gold: Elegant gold Fashion silver Brilliant gold Antique brass



Sliding Lock Series

Product name: Sliding lock

Code: ZTLS1110

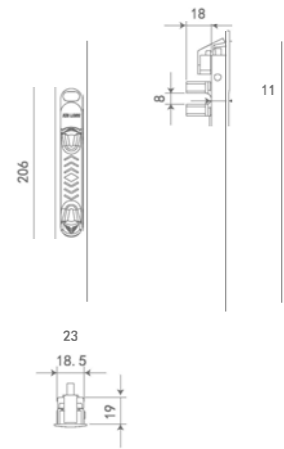
Surface finish: Decorative baking varnish

Applicable system: Sliding series

Remark: Minimum thickness of profile is 35mm

Optional color:

- | | | |
|--|--|--------------------------------------|
| <input checked="" type="checkbox"/> Elegant gold | Fashion silver | Brilliant gold |
| <input type="checkbox"/> Antique brass | <input type="checkbox"/> Light ink black | <input type="checkbox"/> Pearl white |



Product name: Sliding lock

Code: ZTLS1110H

Surface finish: Decorative baking varnish

Applicable system: Sliding door

Remark: Minimum thickness of profile is 30mm

Optional color:

- | | | |
|--|--|--------------------------------------|
| <input checked="" type="checkbox"/> Elegant gold | Fashion silver | Brilliant gold |
| <input type="checkbox"/> Antique brass | <input type="checkbox"/> Light ink black | <input type="checkbox"/> Pearl white |



Sliding lock Series

Product name: Sliding lock

Code: ZTLS1230

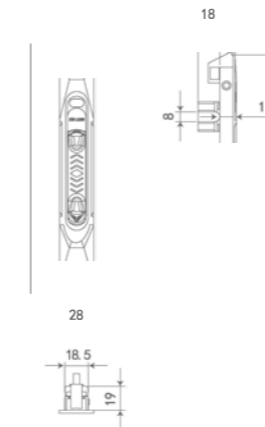
Surface finish: Decorative baking varnish

Applicable system: Sliding series

Remark: Minimum thickness of profile is 35mm

Optional color:

- | | | |
|--|--|--------------------------------------|
| <input checked="" type="checkbox"/> Elegant gold | Fashion silver | Brilliant gold |
| <input type="checkbox"/> Antique brass | <input type="checkbox"/> Light ink black | <input type="checkbox"/> Pearl white |



Product name: Sliding lock

Code: ZTLS1230H

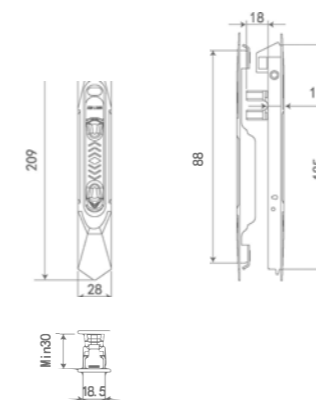
Surface finish: Decorative baking varnish

Applicable system: Sliding door

Remark: Minimum thickness of profile is 30mm

Optional color:

- | | | |
|--|--|--------------------------------------|
| <input checked="" type="checkbox"/> Elegant gold | Fashion silver | Brilliant gold |
| <input type="checkbox"/> Antique brass | <input type="checkbox"/> Light ink black | <input type="checkbox"/> Pearl white |



Sliding Lock Series

Product name: Sliding lock

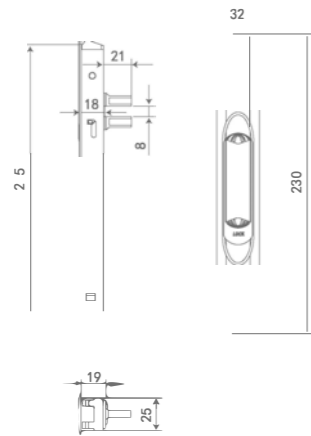
Code: ZTLS1510

Surface finish: Anodic oxidation

Applicable system: Sliding series

Remark: Minimum thickness of profile is 45mm

Optional color: Elegant gold Fashion silver Brilliant gold Antique brass



Patent

Product name: Sliding lock

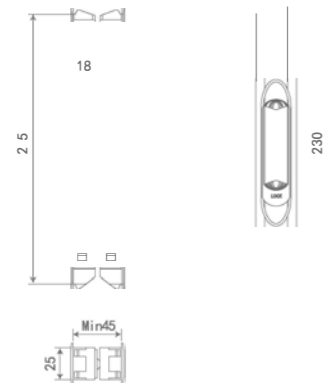
Code: ZTLS1510H

Surface finish: Anodic oxidation

Applicable system: Sliding series

Remark: Minimum thickness of profile is 45mm

Optional color: Elegant gold Fashion silver Brilliant gold Antique brass



Patent

Sliding lock Series

Product name: Sliding lock

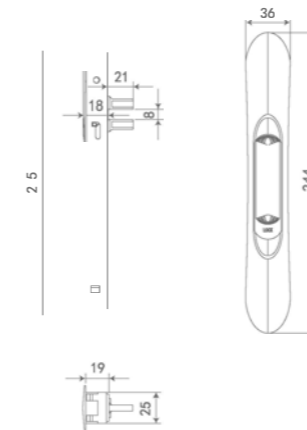
Code: ZTLS1520

Surface finish: Anodic oxidation

Applicable system: Sliding series

Remark: Minimum thickness of profile is 45mm

Optional color: Elegant gold Fashion silver Brilliant gold Antique brass



Patent

Product name: Sliding lock

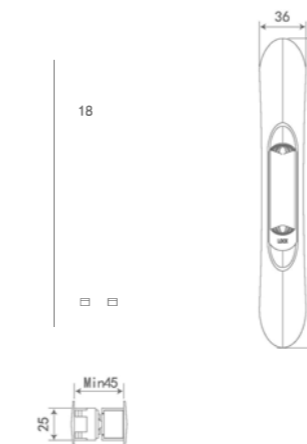
Code: ZTLS1520H

Surface finish: Anodic oxidation

Applicable system: Sliding series

Remark: Minimum thickness of profile is 45mm

Optional color: Elegant gold Fashion silver Brilliant gold Antique brass



Patent

Handle series

Product name: Door handle

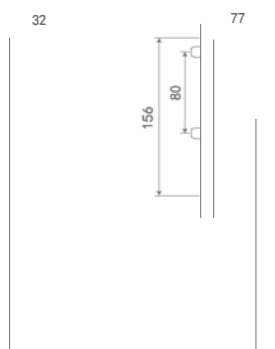
Code: ZMZS9610

Surface finish: Decorative baking varnish

Applicable system: Lifting and sliding door

Remark: Insertion depth of square steel is 23-28mm

Optional color: Elegant gold Fashion silver Brilliant gold
 Antique brass Light ink black Pearl white



Handle series

Product name: Door handle

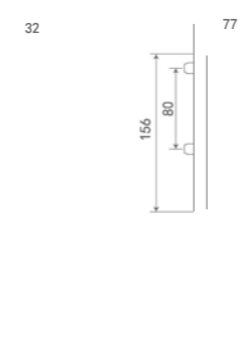
Code: ZMZS9710

Surface finish: Anodic oxidation

Applicable system: Lifting and sliding door

Remark: Insertion depth of square steel is 23-28mm

Optional color: Elegant gold Fashion silver Brilliant gold Antique brass



Product name: Door handle

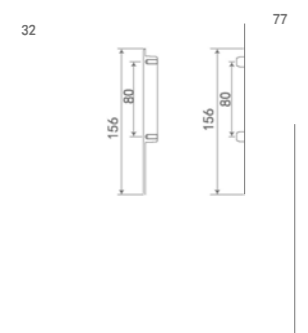
Code: ZMZS9611

Surface finish: Decorative baking varnish

Applicable system: Lifting and sliding door

Remark: Insertion depth of square steel is 23-28mm

Optional color: Elegant gold Fashion silver Brilliant gold
 Antique brass Light ink black Pearl white



Product name: Door handle

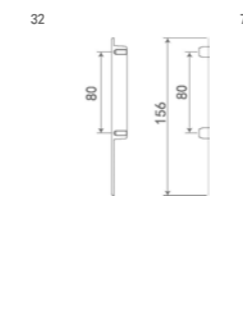
Code: ZMZS9711

Surface finish: Anodic oxidation

Applicable system: Lifting and sliding door

Remark: Insertion depth of square steel is 23-28mm

Optional color: Elegant gold Fashion silver Brilliant gold Antique brass



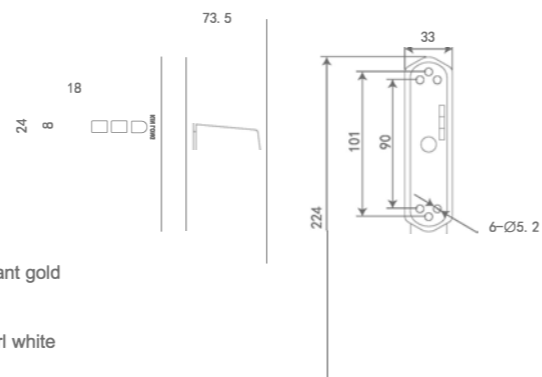
Handle Series



Product name: Fork handle
 Code: ZCZS1615/I
 Surface finish: Decorative baking varnish
 Applicable system: Sliding door
 Remark: The length of tongue is 20-70mm

Optional color:

<input checked="" type="checkbox"/> Elegant gold	<input type="checkbox"/> Fashion silver	<input type="checkbox"/> Brilliant gold
<input type="checkbox"/> Antique brass	<input type="checkbox"/> Light ink black	<input type="checkbox"/> Pearl white



Product name: Handle buckle
 Code: ZCZS1615/II
 Surface finish: Decorative baking varnish
 Applicable system: Sliding door

Optional color:

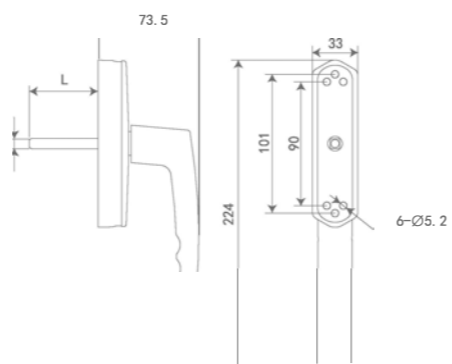
<input checked="" type="checkbox"/> Elegant gold	<input type="checkbox"/> Fashion silver	<input type="checkbox"/> Brilliant gold
<input type="checkbox"/> Antique brass	<input type="checkbox"/> Light ink black	<input type="checkbox"/> Pearl white



Product name: Handle with square steel
 Code: ZCZS8611
 Surface finish: Decorative baking varnish
 Applicable system: Sliding door
 Remark: L=26mm/ 32mm/ 40mm

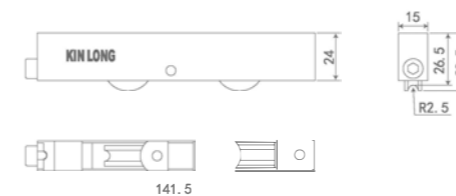
Optional color:

<input checked="" type="checkbox"/> Elegant gold	<input type="checkbox"/> Fashion silver	<input type="checkbox"/> Brilliant gold
<input type="checkbox"/> Antique brass	<input type="checkbox"/> Light ink black	<input type="checkbox"/> Pearl white

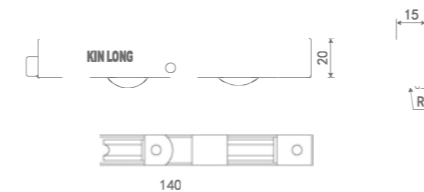


Roller Series

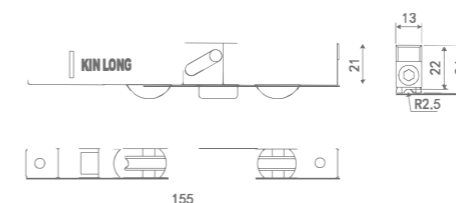
Product name: Roller
 Code: ZMHL2310
 Surface finish: Hairline
 Applicable system: Sliding door
 Remark: Maximum bearing capacity is 120kg
 Downward adjustment is 7mm



Product name: Roller
 Code: ZMHL2312
 Surface finish: Hairline
 Applicable system: Sliding door
 Remark: Maximum bearing capacity is 100kg
 Downward adjustment is 7mm



Product name: Roller
 Code: ZMHL2313
 Surface finish: Hairline
 Applicable system: Sliding door
 Remark: Maximum bearing capacity is 100kg
 Downward adjustment is 6mm



Roller Series

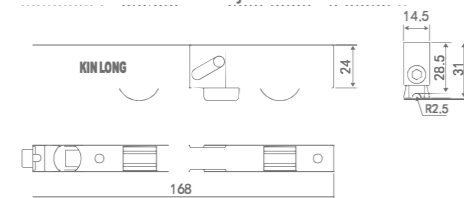
Product name:Roller

Code: ZMHL2314

Surface finish: Hairline

Applicable system:Sliding door

Remark: Maximum bearing capacity is 120kg
Downward adjustment is 7mm



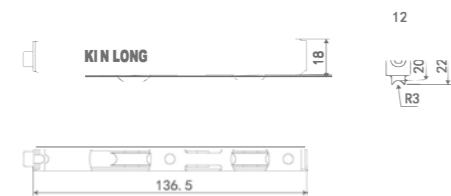
Product name:Roller

Code: ZMHL2315

Surface finish: Hairline

Applicable system:Sliding door

Remark: Maximum bearing capacity is 110kg
Downward adjustment is 3mm



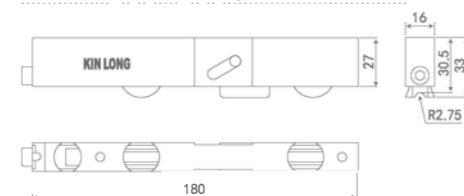
Product name:Roller

Code: ZMHL2410

Surface finish: Hairline

Applicable system:Sliding door

Remark: Maximum bearing capacity is 120kg
Downward adjustment is 7mm



Roller Series

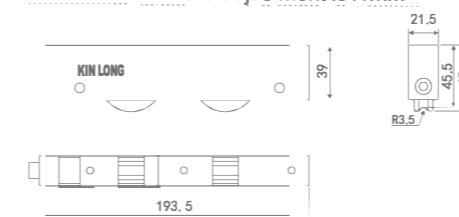
Product name:Roller

Code: ZMHL2620

Surface finish: Hairline

Applicable system:Sliding door

Remark: Maximum bearing capacity is 260kg
Downward adjustment is 11mm



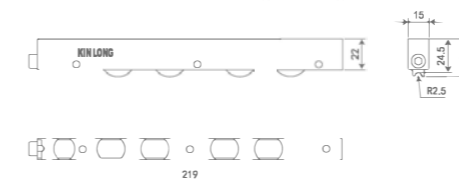
Product name:Roller

Code: ZMHL4410

Surface finish: Hairline

Applicable system:Sliding door

Remark: Maximum bearing capacity is 160kg
Downward adjustment is 7mm



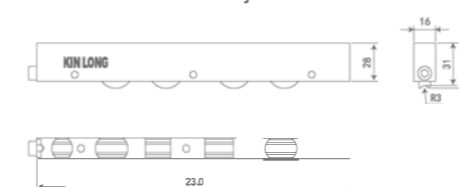
Product name:Roller

Code: ZMHL4510

Surface finish: Hairline

Applicable system:Sliding door

Remark: Maximum bearing capacity is 220kg
Downward adjustment is 7mm



Roller Series

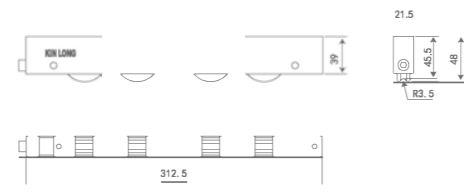
Product name: Roller

Code: ZMHL4620

Surface finish: Hairline

Applicable system: Sliding door

Remark: Maximum bearing capacity is 350kg
Downward adjustment is 11mm



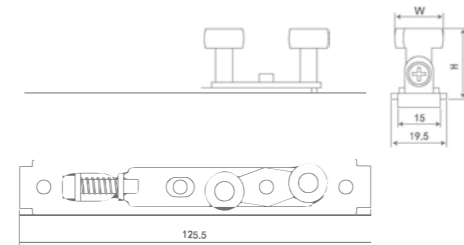
Product name: Guide pulley

Code: ZDXL1140

Surface finish: Electroplating

Applicable system: Sliding series

Remark: W=13-24mm H=25mm or 29mm



Hook lock Series

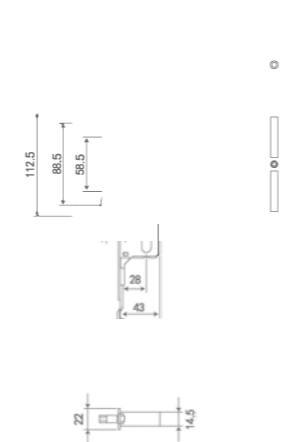
Product name: Hook lock

Code: ZGSB2820/I

Surface finish: Hairline

Applicable system: Sliding door

Remark: Center distance is 28mm



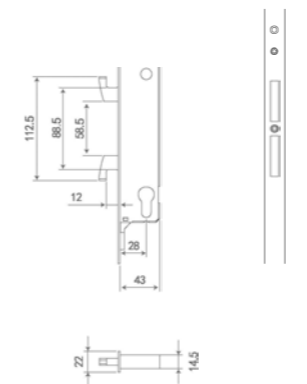
Product name: Hook lock

Code: ZGSB2820/II

Surface finish: Hairline

Applicable system: Sliding door

Remark: Center distance is 28mm



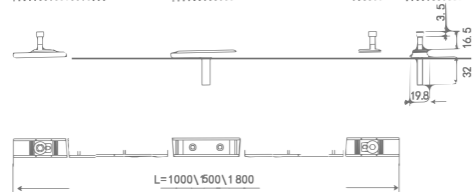
Transmission rod Series

Product name: Transmission rod

Code: ZCDG421-L L=1000\1500\1800

Applicable system: Sliding Series

Remark: Height of locking point can be customized
(standard height is 16.5mm)

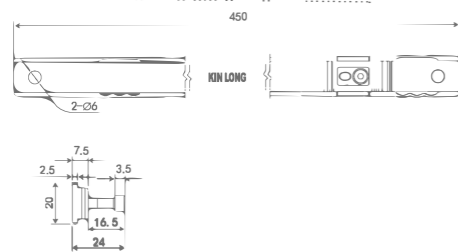


Product name: Transmission rod

Code: ZCDG422

Applicable system: Sliding Series

Remark: Height of locking point can be customized
(standard height is 16.5mm)



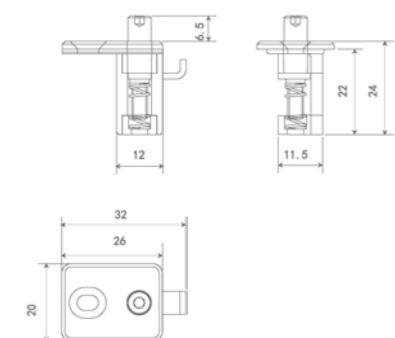
Product name: Anti-misoperation device

Code: ZFWQ21

Surface finish: Electrophoresis black

Applicable system: Sliding door

Remark: Adjustment of anti-misoperation pin is 6.5-11mm
Used together with transmission rod ZCDG421-L.



Transmission rod Series

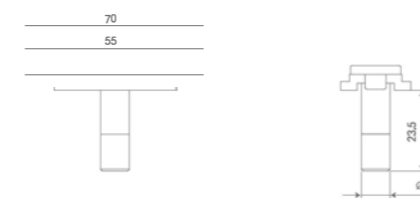
Product name: Main transmission rod

Code: ZCDG610

Surface finish: Electrophoresis black

Applicable system: Sliding Series

Remark: Pin length can be customized (standard height is 23.5mm)



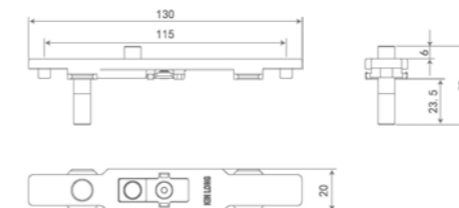
Product name: Main anti-misoperation transmission rod

Code: ZCDG613

Surface finish: Electrophoresis black

Applicable system: Sliding Series

Remark: Pin length and locking point can be customized, and pin is rear installation
(standard size is 23.5mm and 6mm)



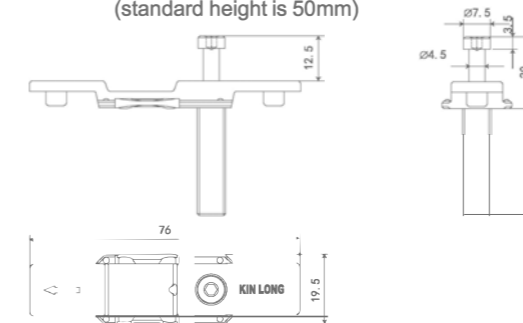
Product name: Transmission rod

Code: ZCDG616

Surface finish: Electrophoresis black

Applicable system: Sliding Serie

Remark: Pin length can be customized
(standard height is 50mm)



Locking point and locking plate Series

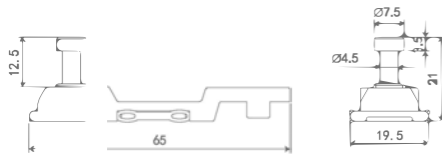
Product name: Transmission rod

Code: ZCDG714

Surface finish: Electrophoresis black

Applicable system: Sliding Series

Remark: Height of locking point can be customized
(standard height is 12.5mm)



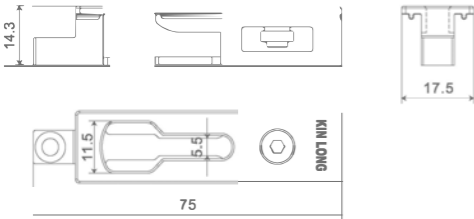
Product name: Locking plate

Code: ZSKB21

Surface finish: Electrophoresis black

Applicable system: Sliding Series

Remark: Fixed with Clamping gasket+self-tapping screws



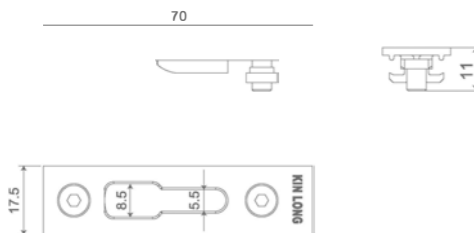
Product name: Locking plate

Code: ZSKB22

Surface finish: Electrophoresis black

Applicable system: Sliding Series

Remark: Fixed with double clamping gasket



Lock plate Series

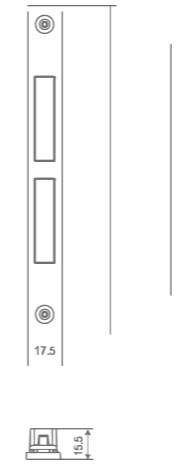
Product name: Cover plate

Code: ZSKB20

Surface finish: Electrophoresis black

Applicable system: Sliding door

Remark: Used together with Hook lock



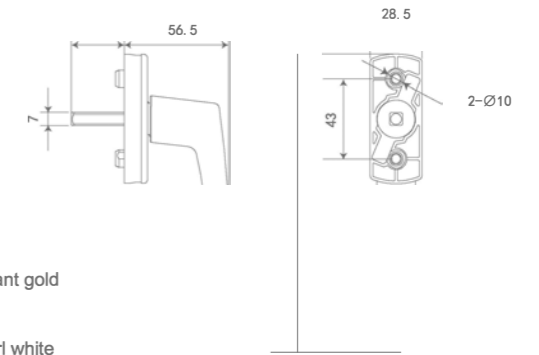
Casement- Handle with Square Steel Series



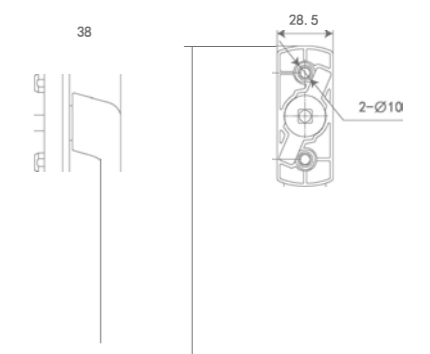
Square steel handle Series



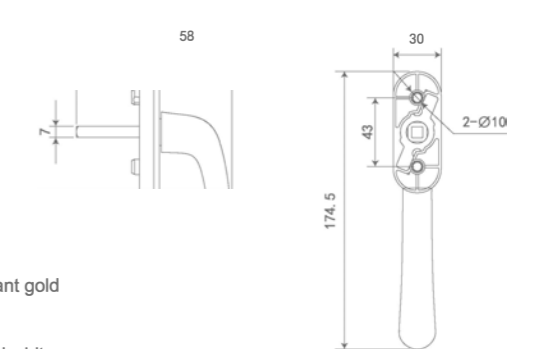
Product name: Handle with square steel
 Code: ZCZS8111
 Surface finish: Decorative baking Varnish
 Applicable system: Casement window & Tilt and Turn window
 Remark: L=25mm/30mm/35mm/40mm/45mm
 Optional color: Elegant gold Fashion silver Brilliant gold
 Antique brass Light ink black Pearl white



Product name: Handle with square steel
 Code: ZCZS8112
 Surface finish: Decorative baking Varnish
 Applicable system: Casement window & Tilt and Turn window
 Remark: L=25mm/30mm/35mm/40mm/45mm
 Optional color: Elegant gold Fashion silver Brilliant gold
 Antique brass Light ink black Pearl white



Item name: Handle with square steel
 Code: ZCZS8113
 Surface finish: Decorative baking varnish
 Applicable system: Casement window & Tilt and Turn window
 Remark: L=25mm/30mm/35mm/40mm/45mm
 Optional color: Elegant gold Fashion silver Brilliant gold
 Antique brass Light ink black Pearl white



The color of the picture is subject to physical object

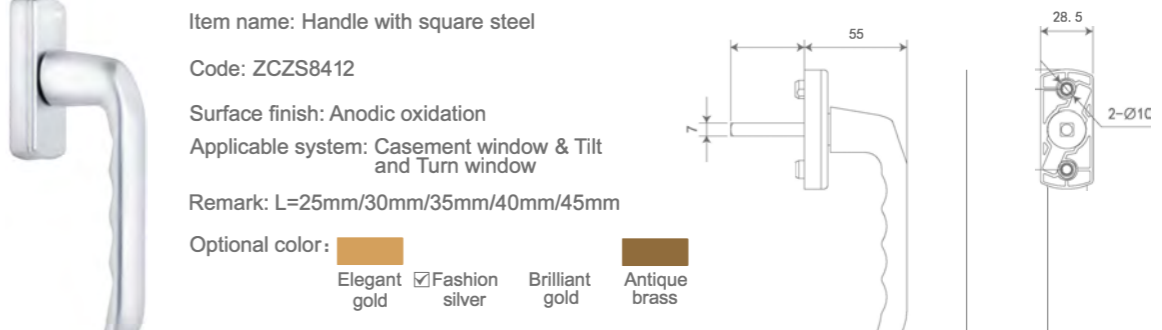
Handle with square steel Series



Product name: Handle with Square steel
 Code: ZCZS8114
 Surface finish: Decorative baking varnish
 Applicable system: Casement window & Tilt and Turn window
 Remark: L=25mm/30mm/35mm/40mm/45mm
 Optional color: Elegant gold Fashion silver Brilliant gold
 Antique brass Light ink black Pearl white

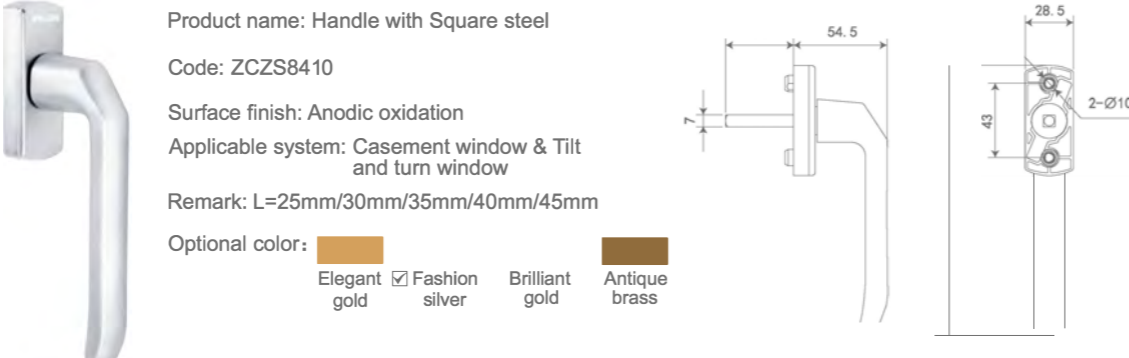
Technical drawing dimensions: 54, 28.5, 2-Ø10

Handle with square steel Series



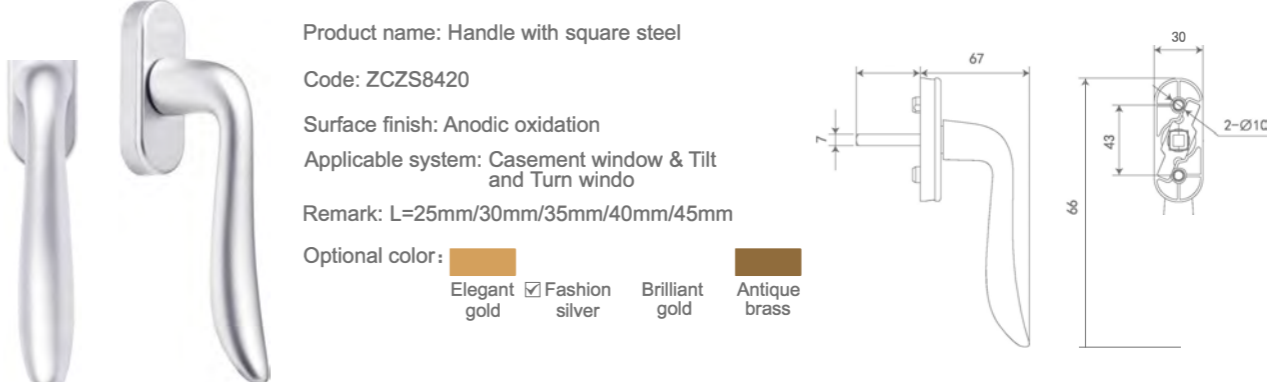
Item name: Handle with square steel
 Code: ZCZS8412
 Surface finish: Anodic oxidation
 Applicable system: Casement window & Tilt and Turn window
 Remark: L=25mm/30mm/35mm/40mm/45mm
 Optional color: Elegant gold Fashion silver Brilliant gold Antique brass

Technical drawing dimensions: 55, 28.5, 2-Ø10



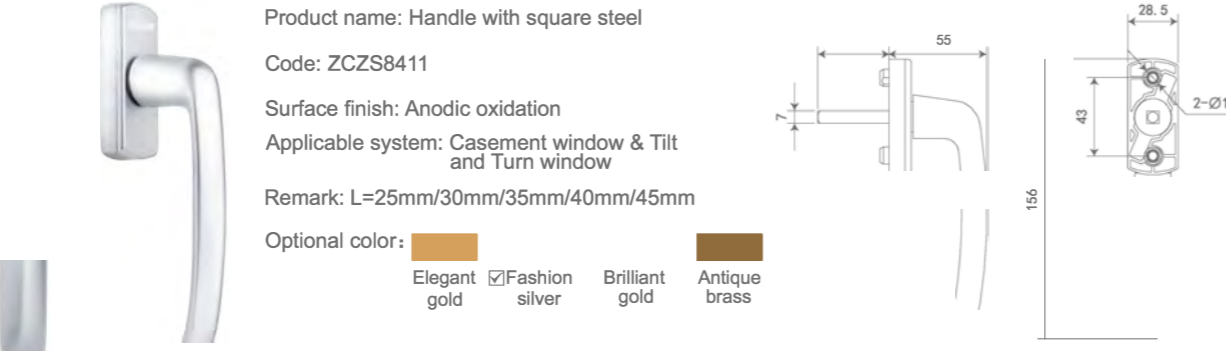
Product name: Handle with Square steel
 Code: ZCZS8410
 Surface finish: Anodic oxidation
 Applicable system: Casement window & Tilt and turn window
 Remark: L=25mm/30mm/35mm/40mm/45mm
 Optional color: Elegant gold Fashion silver Brilliant gold Antique brass

Technical drawing dimensions: 54.5, 28.5, 43, 2-Ø10



Product name: Handle with square steel
 Code: ZCZS8420
 Surface finish: Anodic oxidation
 Applicable system: Casement window & Tilt and Turn window
 Remark: L=25mm/30mm/35mm/40mm/45mm
 Optional color: Elegant gold Fashion silver Brilliant gold Antique brass

Technical drawing dimensions: 67, 30, 43, 2-Ø10, 66



Product name: Handle with square steel
 Code: ZCZS8411
 Surface finish: Anodic oxidation
 Applicable system: Casement window & Tilt and Turn window
 Remark: L=25mm/30mm/35mm/40mm/45mm
 Optional color: Elegant gold Fashion silver Brilliant gold Antique brass

Technical drawing dimensions: 55, 28.5, 43, 2-Ø10, 156



Product name: Handle with square steel
 Code: ZCZS8421
 Surface finish: Anodic oxidation
 Applicable system: Casement window & Tilt and Turn window
 Remark: L=25mm/30mm/35mm/40mm/45mm
 Optional color: Elegant gold Fashion silver Brilliant gold Antique brass

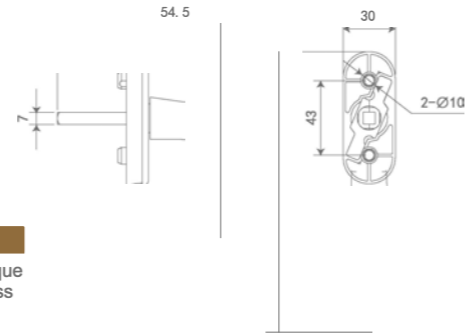
Technical drawing dimensions: 55, 30, 43, 2-Ø10, 151

Handle with Square Steel Series



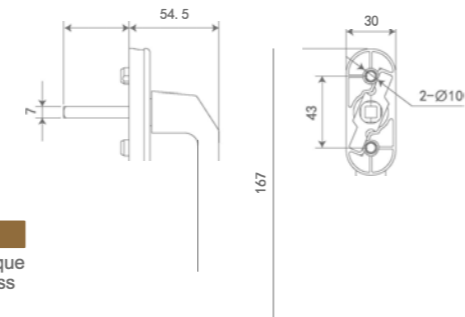
Product name: Handle with square steel
 Code: ZCZS8422
 Surface finish: Anodic oxidation
 Applicable system: Casement window & Tilt and Turn window
 Remark: L=25mm/30mm/35mm/40mm/45mm

Optional color: Elegant gold Fashion silver Brilliant gold Antique brass



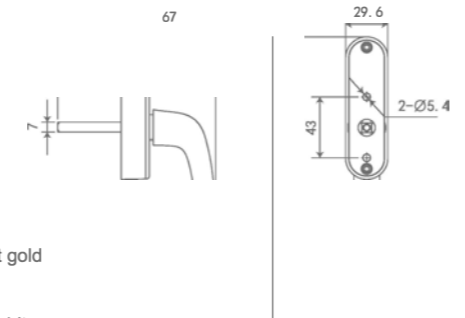
Product name: Handle with square steel
 Code: ZCZS8423
 Surface finish: Anodic oxidation
 Applicable system: Casement window & Tilt and Turn window
 Remark: L=25mm/30mm/35mm/40mm/45mm

Optional color: Elegant gold Fashion silver Brilliant gold Antique brass



Product name: Handle with square steel
 Code: ZCZS1310S/II
 Surface finish: Decorative baking varnish
 Applicable system: Casement window & Tilt and Turn window
 Remark: L=25mm/30mm/35mm/40mm/45mm

Optional color: Elegant gold Elegant gold Brilliant gold
 Antique brass Light ink black Pearl white



Casement- Fork handle Series



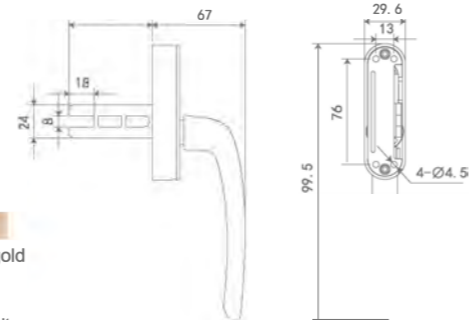
The color of the picture is subject to physical object

Fork Handle Series



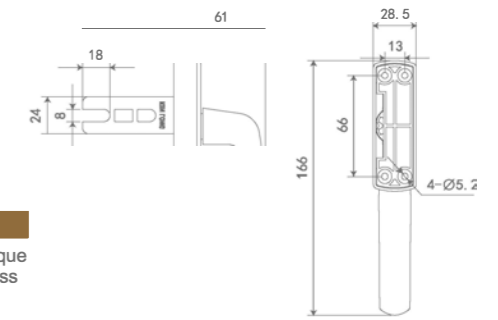
Product name: Fork handle
 Code: ZCZS1310S/I
 Surface finish: Decorative baking varnish
 Applicable system: Side-hung window
 Remark: The length of tongue is 20-60mm

Optional color: Elegant gold Fashion silver Brilliant gold
 Antique brass Light ink black Pearl white



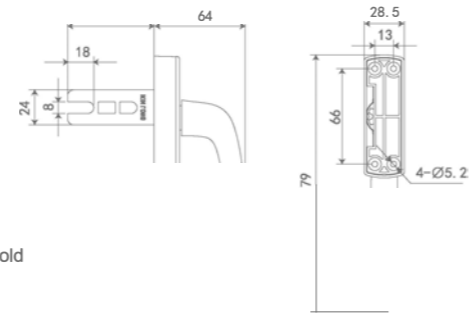
Product name: Fork handle
 Code: ZCZS1413
 Surface finish: Anodic oxidation
 Applicable system: Side-hung window
 Remark: The length of tongue is 20-60mm

Optional color: Elegant gold Fashion silver Brilliant gold Antique brass



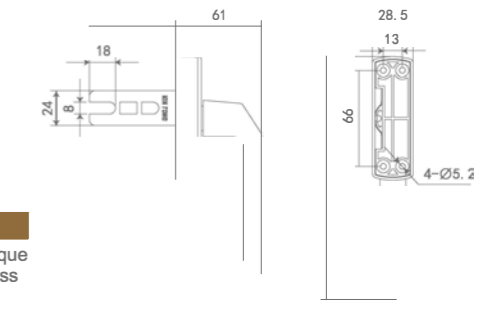
Product name: Fork handle
 Code: ZCZS1410
 Surface finish: Decorative baking varnish
 Applicable system: Side-hung window
 Remark: The length of tongue is 20-60mm

Optional color: Elegant gold Fashion silver Brilliant gold
 Antique brass Light ink black Pearl white



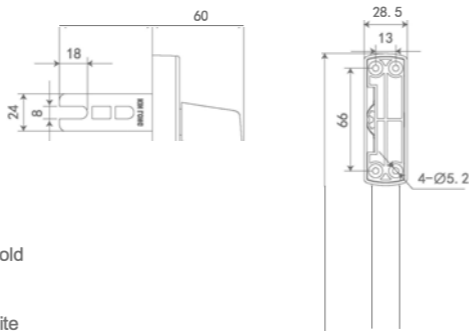
Product name: Fork handle
 Code: ZCZS1415
 Surface finish: Anodic oxidation
 Applicable system: Side-hung window
 Remark: The length of tongue is 20-60mm

Optional color: Elegant gold Fashion silver Brilliant gold Antique brass



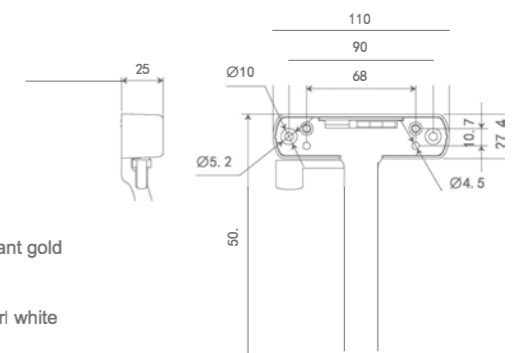
Product name: Fork handle
 Code: ZCZS1411
 Surface finish: Decorative baking varnish
 Applicable system: Side-hung window
 Remark: The length of tongue is 20-60mm

Optional color: Elegant gold Fashion silver Brilliant gold
 Antique brass Light ink black Pearl white



Product name: Fork handle
 Code: ZCZS1416
 Surface finish: Decorative baking Varnish
 Applicable system: Side-hung window
 Remark: The length of tongue is 20-60mm

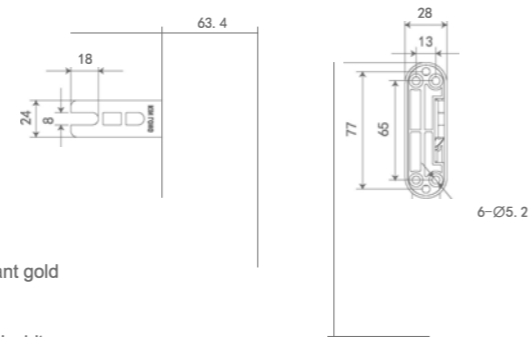
Optional color: Elegant gold Fashion silver Brilliant gold
 Antique brass Light ink black Pearl white



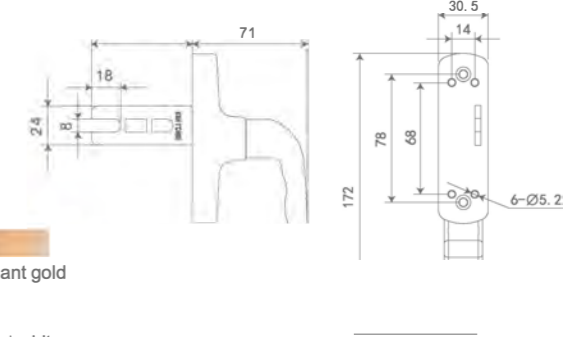
Fork handle Series



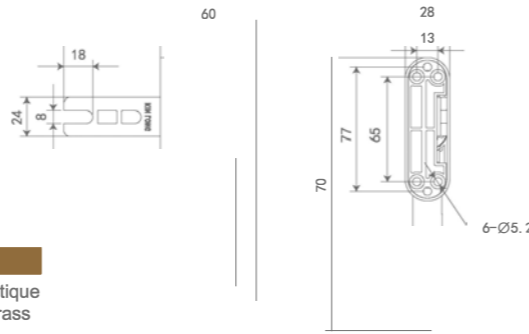
Product name: Fork handle
 Code: ZCZS1510
 Surface finish: Decorative baking varnish
 Applicable system: Side-hung window
 Remark: The length of tongue is 20-60mm
 Optional color: Elegant gold Fashion silver Brilliant gold
 Antique brass Light ink black Pearl white



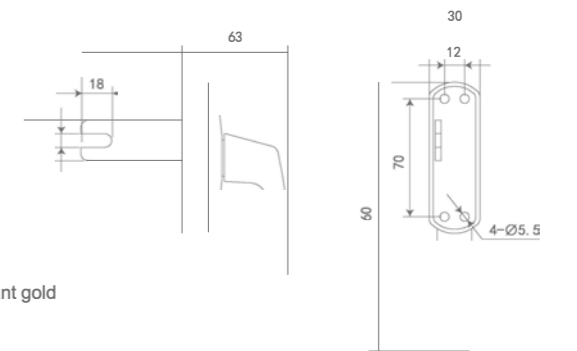
Product name: Fork handle
 Code: ZCZS1611
 Surface finish: Decorative baking varnish
 Applicable system: Open-out Side-hung window
 Remark: The length of tongue is 20-60mm
 Optional color: Elegant gold Fashion silver Brilliant gold
 Antique brass Light ink black Pearl white



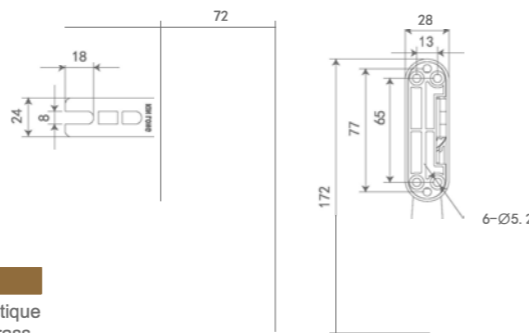
Product name: Fork handle
 Code: ZCZS1511
 Surface finish: Anodic oxidation
 Applicable system: Side-hung window
 Remark: The length of tongue is 20-60mm
 Optional color: Elegant gold Fashion silver Brilliant gold
 Antique brass



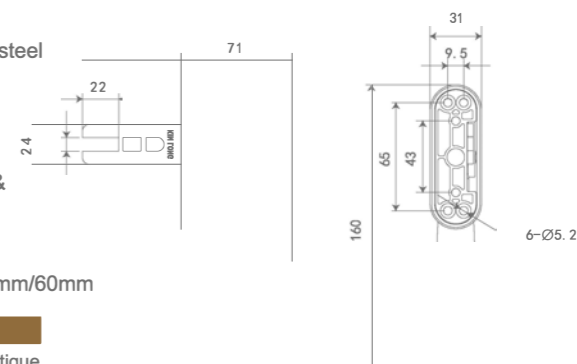
Product name: Fork handle
 Code: ZCZS1612
 Surface finish: Decorative baking varnish
 Applicable system: Open-out Side-hung window
 Remark: The length of tongue is 20-60mm
 Optional color: Elegant gold Fashion silver Brilliant gold
 Antique brass Light ink black Pearl white



Product name: Fork handle
 Code: ZCZS1512
 Surface finish: Anodic oxidation
 Applicable system: Side-hung window
 Remark: The length of tongue is 20-60mm
 Optional color: Elegant gold Fashion silver Brilliant gold
 Antique brass



Product name: Fork handle & Handle with square steel
 Code: ZCZS1621 & ZCZS8620
 Surface finish: Anodic oxidation
 Applicable system: Open-out side-hung window & Side-hung window
 Remark: The length of tongue is 20-60mm
 Remark: Square steel L=40mm/45mm/50mm/55mm/60mm
 Optional color: Elegant gold Fashion silver Brilliant gold
 Antique brass

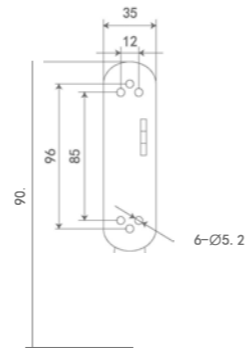
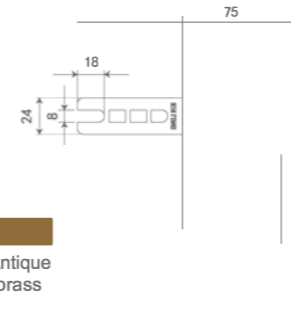


Fork handle Series



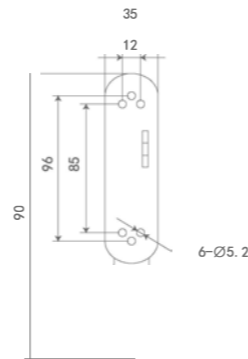
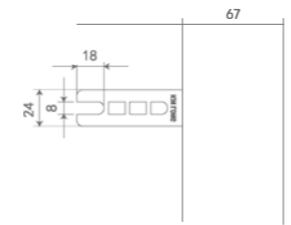
Product name: Fork handle
 Code: ZCZS1720
 Surface finish: Anodic oxidation
 Applicable system: Side-hung window
 Remark: The length of tongue is 20-70mm

Optional color: Elegant gold Fashion silver Brilliant gold Antique brass



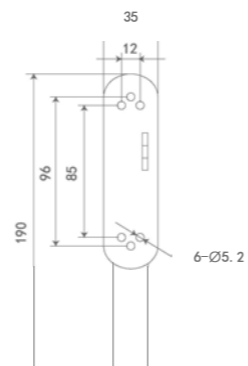
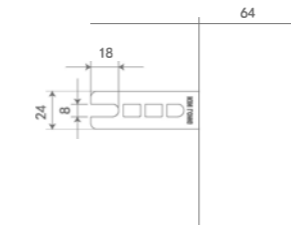
Product name: Fork handle
 Code: ZCZS1721
 Surface finish: Anodic oxidation
 Applicable system: Open-out side-hung window
 Remark: The length of tongue is 20-70mm

Optional color: Elegant gold Fashion silver Brilliant gold Antique brass



Product name: Fork handle
 Code: ZCZS1722
 Surface finish: Anodic oxidation
 Applicable system: Open-out side-hung window
 Remark: The length of tongue is 20-70mm

Optional color: Elegant gold Fashion silver Brilliant gold Antique brass

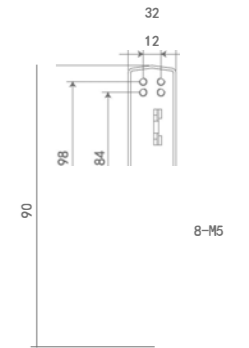
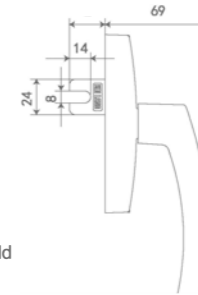


Fork handle Series



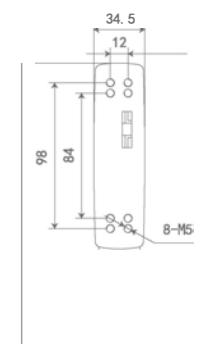
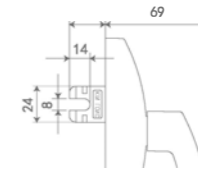
Product name: Fork handle
 Code: ZCZS2619
 Surface finish: Decorative baking varnish
 Applicable system: Open-in side-hung window & Tilt and Turn window
 Remark: L=24mm/35mm/46mm

Optional color: Elegant gold Fashion silver Brilliant gold Antique brass Light ink black Pearl white



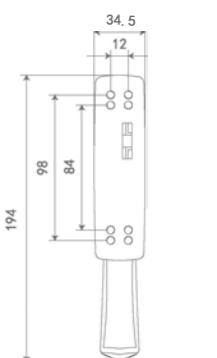
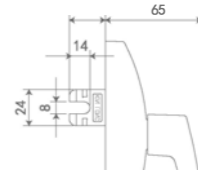
Product name: Fork handle
 Code: ZCZS2711
 Surface finish: Anodic oxidation
 Applicable system: Open-in side-hung window & Tilt and Turn window
 Remark: L=24mm/35mm/46mm

Optional color: Elegant gold Fashion silver Brilliant gold Antique brass



Product name: Fork handle
 Code: ZCZS2712
 Surface finish: Anodic oxidation
 Applicable system: Open-in side-hung window & Tilt and Turn window
 Remark: L=24mm/35mm/46mm

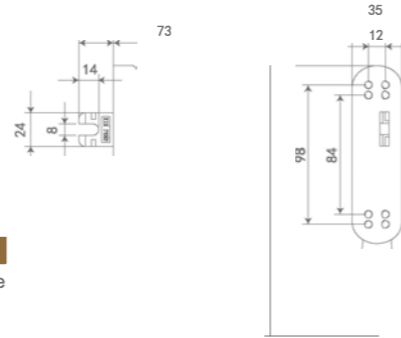
Optional color: Elegant gold Fashion silver Brilliant gold Antique brass



Fork handle Series



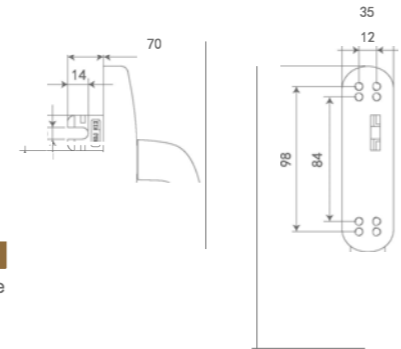
Product name: Fork handle
 Code: ZCZS2720
 Surface finish: Anodic oxidation
 Applicable system: Open-in side-hung window & Tilt and Turn window
 Remark: L=24mm/35mm/46mm
 Optional color: Elegant gold Fashion silver Brilliant gold Antique brass



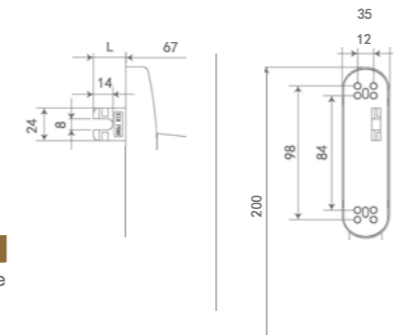
Patent



Product name: Fork handle
 Code: ZCZS2721
 Surface finish: Anodic oxidation
 Applicable system: Open-in side-hung window & Tilt and Turn window
 Remark: L=24mm/35mm/46mm
 Optional color: Elegant gold Fashion silver Brilliant gold Antique brass



Product name: Fork handle
 Code: ZCZS2722
 Surface finish: Anodic oxidation
 Applicable system: Open-in side-hung window & Tilt and Turn window
 Remark: L=24mm/35mm/46mm
 Optional color: Elegant gold Fashion silver Brilliant gold Antique brass



Side-hung-Screen window handle Series



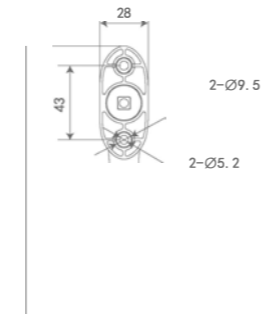
The color of the picture is subject to physical object

Screen Window Handle Series



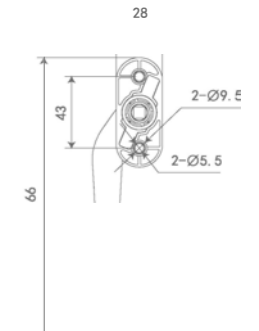
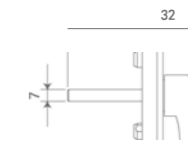
Product name: Handle with square steel
 Code: ZCZS8520
 Surface finish: Decorative baking varnish
 Applicable system: Screen window&Siding and Folding series
 Remark: L=14mm/26mm/32mm

Optional color: Elegant gold Fashion silver Brilliant gold
 Antique brass Light ink black Pearl white



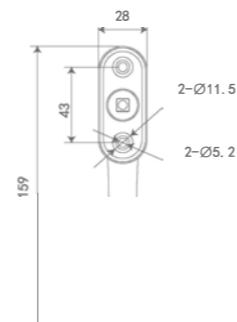
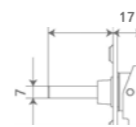
Product name: Handle with square steel
 Code: ZCZS8530-L/R
 Surface finish: Anodic oxidation
 Applicable system: Screen window and door & Side-hung window
 Remark: L=25mm/30mm/35mm/40mm/45mm

Optional color: Elegant gold Fashion silver Brilliant gold Antique brass



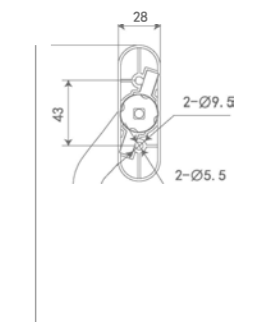
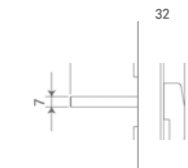
Product name: Handle with square steel
 Code: ZCZS8521
 Surface finish: Anodic oxidation
 Applicable system: Screen window
 Remark: L=16mm/27mm/33mm

Optional color: Elegant gold Fashion silver Brilliant gold Antique brass



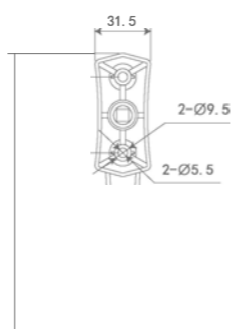
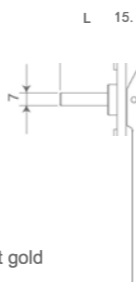
Product name: Handle with square steel
 Code: ZCZS8531-L/R
 Surface finish: Decorative baking varnish
 Applicable system: Screen window
 Remark: L=25mm/30mm/35mm/40mm/45mm

Optional color: Elegant gold Fashion silver Brilliant gold
 Antique brass Light ink black Pearl white



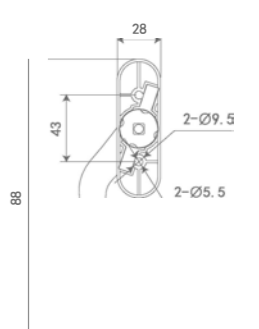
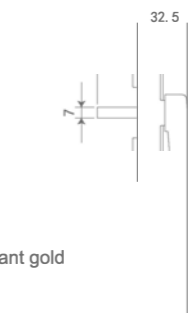
Product name: Handle with square steel
 Code: ZCZS8630
 Surface finish: Decorative baking varnish
 Applicable system: Screen window&Siding and Folding series
 Remark: L=14mm/26mm/32mm

Optional color: Elegant gold Fashion silver Brilliant gold
 Antique brass Light ink black Pearl white



Product name: Handle with square steel
 Code: ZCZS8532-L/R
 Surface finish: Decorative baking varnish
 Applicable system: Screen window
 Remark: L=25mm/30mm/35mm







Optional color: Elegant gold Fashion silver Brilliant gold
 Antique brass Light ink black Pearl white

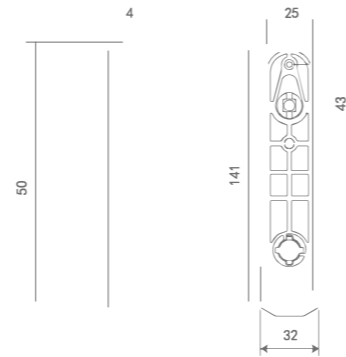


Screen Window Handle Series









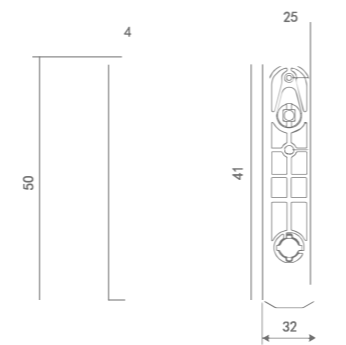
Product name: Concealed handle
 Code: ZCZS8631
 Surface finish: Decorative baking varnish
 Applicable system: Screen window
 Remark: L=25mm/30mm/35mm/40mm/45mm

Optional color:  Elegant gold  Fashion silver  Brilliant gold
  Antique brass  Light ink black  Pearl white









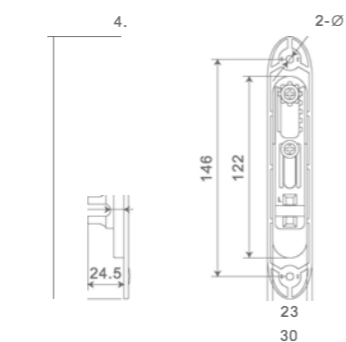
Product name: Concealed handle(with key)
 Code: ZCZS8631S
 Surface finish: Decorative baking varnish
 Applicable system: Screen window
 Remark: L=25mm/30mm/35mm/40mm/45mm

Optional color:  Elegant gold  Fashion silver  Brilliant gold
  Antique brass  Light ink black  Pearl white









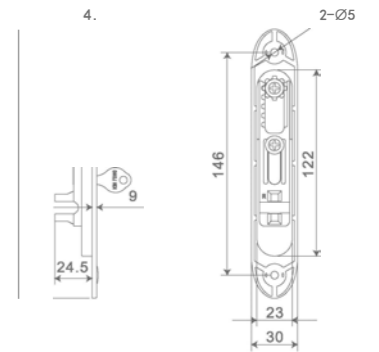
Product name: Concealed handle
 Code: ZCZS1521-L/R
 Surface finish: Decorative baking varnish
 Applicable system: Screen window

Optional color:  Elegant gold  Fashion silver  Brilliant gold
  Antique brass  Light ink black  Pearl white









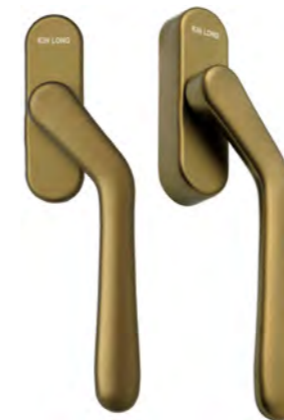
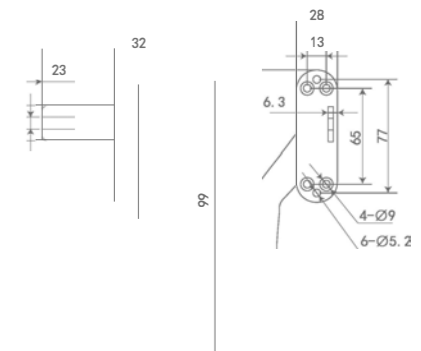
Product name: Concealed handle(with key)
 Code: ZCZS1521S-L/R
 Surface finish: Decorative baking varnish
 Applicable system: Screen window

Optional color:  Elegant gold  Fashion silver  Brilliant gold
  Antique brass  Light ink black  Pearl white









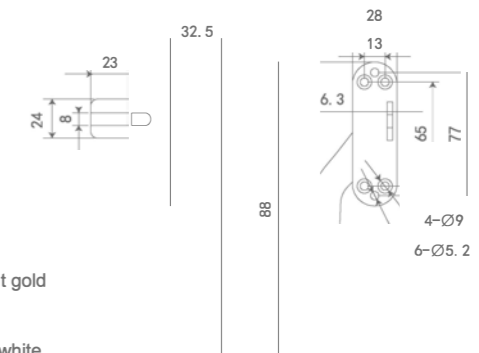
Product name: Fork handle
 Code: ZCZS1530-L/R
 Surface finish: Decorative baking varnish
 Applicable system: Screen window
 Remark: The length of tongue is 20-50mm

Optional color:  Elegant gold  Fashion silver  Brilliant gold
  Antique brass  Light ink black  Pearl white



Product name: Fork handle
 Code: ZCZS1531-L/R
 Surface finish: Decorative baking varnish
 Applicable system: Screen window
 Remark: The length of tongue is 20-50mm

Optional color:  Elegant gold  Fashion silver  Brilliant gold
  Antique brass  Light ink black  Pearl white



Side-hung- Door Handle Series



The color of the picture is subject to physical object

Door Handle Series

Product name: Door handle

Code: ZMZS1720 Without cylinder hole(ZMZS1720/I)

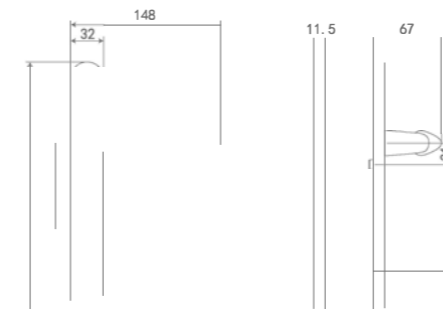
Surface finish: Anodic oxidation

Applicable system: Side-hung door & Siding and Folding door

Remark: the length of square steel is profile $H+2^*$ (15-20mm), rounding to whole numbers;
the length of screw is profile thickness $H+(10-15mm)$, rounding to whole numbers

Optional color:

Elegant gold Fashion silver Brilliant gold Antique brass



Patent

Product name: Door handle

Code: ZMZS1721 Without cylinder hole(ZMZS1721/I)

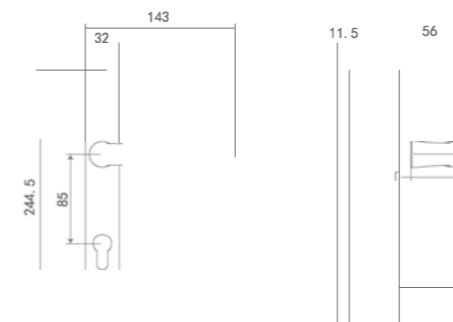
Surface finish: Anodic oxidation

Applicable system: Side-hung door & Siding and Folding door

Remark: the length of square steel is profile $H+2^*$ (15-20mm), rounding to whole numbers;
the length of screw is profile thickness $H+(10-15mm)$, rounding to whole numbers

Optional color:

Elegant gold Fashion silver Brilliant gold Antique brass



Door Handle Series

Product name: Door handle

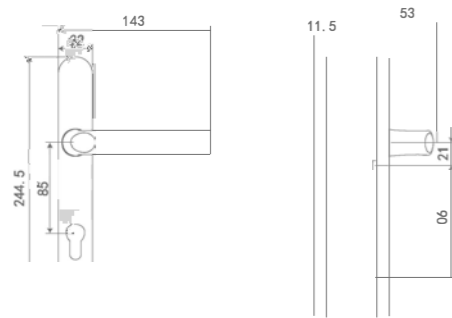
Code: ZMYS1722 Without cylinder hole(ZMYS1722/I)

Surface finish: Anodic oxidation

Applicable system: Side-hung door & Siding and Folding door

Remark: the length of square steel is profile thickness $H+2*(15-20\text{mm})$, rounding to whole numbers; the length of screw is profile thickness $H+(10-15\text{mm})$, rounding to whole numbers

Optional color: Elegant gold Fashion silver Brilliant gold Antique brass



Product name: Door handle

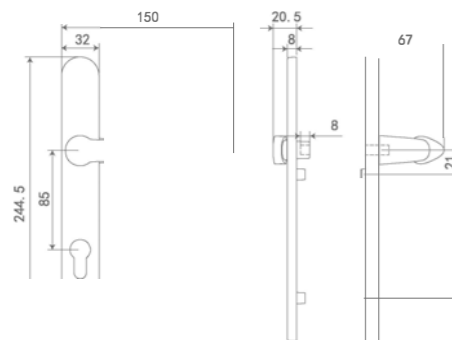
Code: ZMYS1723 Without cylinder hole(ZMYS1723/I)

Surface finish: Anodic oxidation

Applicable system: Screen door

Remark: the length of square steel is profile thickness $H+16\text{mm}$, rounding to whole numbers; the length of screw is profile thickness $H+10\text{mm}$, rounding to whole numbers

Optional color: Elegant gold Fashion silver Brilliant gold Antique brass



Door handle Series

Product name: Door handle

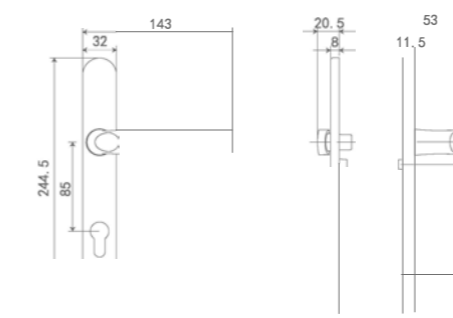
Code: ZMYS1724 Without cylinder hole(ZMYS1724/I)

Surface finish: Anodic oxidation

Applicable system: Screen door

Remark: the length of square steel is profile thickness $H+16\text{mm}$, rounding to whole numbers; the length of screw is profile thickness $H+10\text{mm}$, rounding to whole numbers

Optional color: Elegant gold Fashion silver Brilliant gold Antique brass



Product name: Door handle

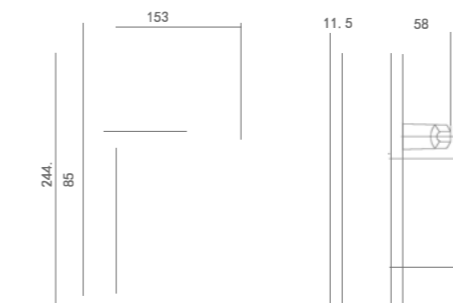
Code: ZMYS1725 Without cylinder hole(ZMYS1725/I)

Surface finish: Decorative baking varnish

Applicable system: Side-hung door & Siding and Folding door

Remark: the length of square steel is profile thickness $H+2*(15-20\text{mm})$, rounding to whole numbers; the length of screw is profile thickness $H+(10-15\text{mm})$, rounding to whole numbers

Optional color: Elegant gold Fashion silver Brilliant gold Antique brass Light ink black Pearl white



Door Handle Series

Product name: Door handle

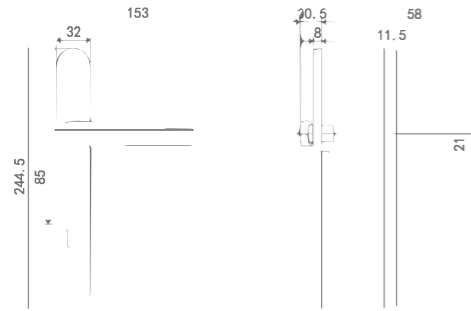
Code: ZMZS1726 Without cylinder hole(ZMZS1726/I)

Surface finish: Decorative baking varnish

Applicable system: Screen door

Remark: the length of square steel is profile thickness $H+16\text{mm}$, rounding to whole numbers; the length of screw is profile thickness $H+10\text{mm}$, rounding to whole numbers

Optional color: Elegant gold Fashion silver Brilliant gold
 Antique brass Light ink black Pearl white



Product name: Door handle

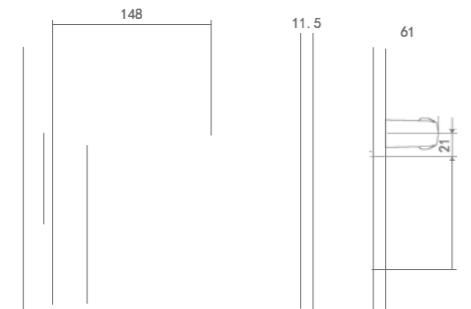
Code: ZMZS1730 Without cylinder hole(ZMZS1730/I)

Surface finish: Decorative baking varnish

Applicable system: Side-hung door & Siding and Folding door

Remark: the length of square steel is profile thickness $H+2*(15-20\text{mm})$, rounding to whole numbers; the length of screw is profile thickness $H+(10-15\text{mm})$, rounding to whole numbers

Optional color: Elegant gold Fashion silver Brilliant gold
 Antique brass Light ink black Pearl white



Door Handle Series

Product name: Door handle

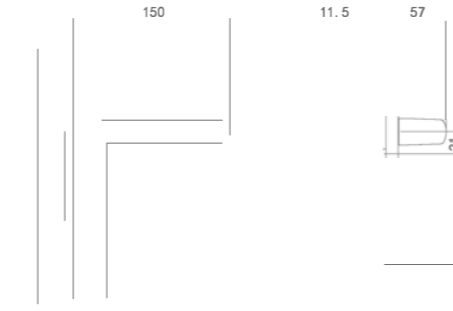
Code: ZMZS1731 Without cylinder hole(ZMZS1731/I)

Surface finish: Anodic oxidation

Applicable system: Side-hung door & Siding and Folding door

Remark: the length of square steel is profile thickness $H+2*(15-20\text{mm})$, rounding to whole numbers; the length of screw is profile thickness $H+(10-15\text{mm})$, rounding to whole numbers

Optional color: Elegant gold Fashion silver Brilliant gold Antique brass



Side-hung- Hinge Series

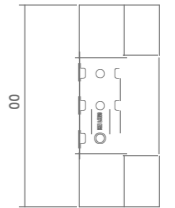


The color of the picture is subject to physical object

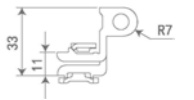
Hinge Series



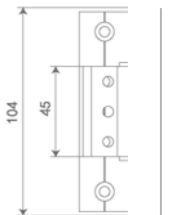
Surface finish: Decorational baking varnish
 Product name: Window hinge
 Code: ZCHY110
 Surface finish: Decorative baking varnish
 Applicable system: Side-hung door & Siding and Folding door
 Remark: Maximum bearing capacity is 55kg Gap between frame and sash needs 3.5-5mm



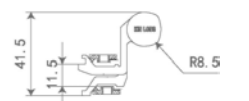
Optional color: Elegant gold Fashion silver Brilliant gold
 Antique brass Light ink black Pearl white



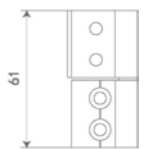
Surface finish: Decorative baking varnish
 Code: ZCHY112
 Surface finish: Anodic oxidation
 Applicable system: Side-hung window
 Remark: Maximum bearing capacity is 80kg Gap between frame and sash needs 3.5-5mm



Optional color: Elegant gold Fashion silver Brilliant gold Antique brass



Product name: Window hinge(Left&right)
 Code: ZCHY113
 Surface finish: Decorative baking varnish
 Applicable system: Screen window
 Remark: Maximum bearing capacity is 10kg Gap between frame and sash needs 3.5-5mm



Optional color: Elegant gold Fashion silver Brilliant gold
 Antique brass Light ink black Pearl white



Hinge Series

Hinge Series



Product name: Window hinge

Code: ZCHY114

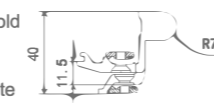
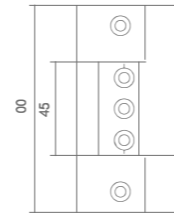
Surface finish: Decorative baking varnish

Applicable system: Side-hung series(23/27groove)

Remark: Maximum bearing capacity is 60kg Gap between frame and sash needs 3.5-5mm

Optional color:

Elegant gold Fashion silver Brilliant gold
 Antique brass Light ink black Pearl white



Product name: Window hinge(Left&right)

Code: ZCHY181

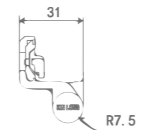
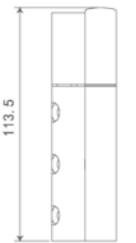
Surface finish: Decorative baking varnish

Applicable system: Tilt and Turn window

Remark: Maximum bearing capacity is 130kg Gap between frame and sash needs 4-5mm

Optional color:

Elegant gold Fashion silver Brilliant gold
 Antique brass Light ink black Pearl white



Product name: Window hinge

Code: ZCHY141

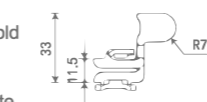
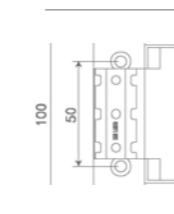
Surface finish: Decorative baking varnish

Applicable system: Side-hung window

Remark: Maximum bearing capacity is 80kg Gap between frame and sash needs 3.5-5mm

Optional color:

Elegant gold Fashion silver Brilliant gold
 Antique brass Light ink black Pearl white



Product name: Window hinge(Left&right)

Code: ZCHY182

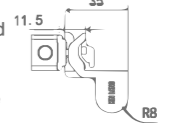
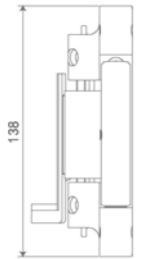
Surface finish: Decorative baking varnish

Applicable system: Tilt and Turn window

Remark: Maximum bearing capacity is 130kg Gap between frame and sash needs 4-5mm

Optional color:

Elegant gold Fashion silver Brilliant gold
 Antique brass Light ink black Pearl white



Product name: Window hinge

Code: ZCHY143

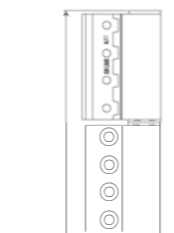
Surface finish: Anodic oxidation

Applicable system: Side-hung window

Remark: Maximum bearing capacity is 60kg Gap between frame and sash needs 4-5mm

Optional color:

Elegant gold Fashion silver Brilliant gold Antique brass



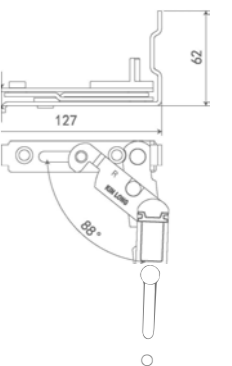
Product name: Window hinge

Code: ZCHY810-L/R

Main material: Stainless steel

Applicable system: Screen window

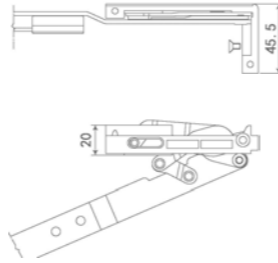
Remark: Maximum bearing capacity is 20kg



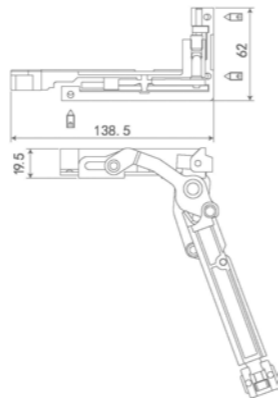
Hinge Series



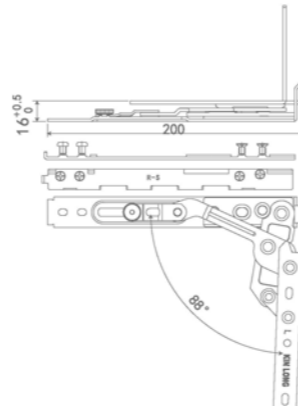
Product name: Window hinge
 Code: ZCHY841-L/R
 Surface finish: Decorative baking varnish
 Applicable system: Tilt and Turn window
 Remark: Maximum bearing capacity is 90kg



Product name: Window hinge
 Code: ZCHY842-L/R
 Surface finish: Electroplating
 Applicable system: Tilt and Turn window
 Remark: Maximum bearing capacity is 90kg



Product name: Hinge
 Code: ZJLA10-L/R-S/X
 Main material: Stainless steel
 Applicable system: Side-hung window
 Remark: Maximum bearing capacity is 65kg



Hinge Series

Product name:Hinge

Code: ZJLA15-L/R

Applicable system: Side-hung Series

Remark: ZJLA15/I-L/R edge is not round

Remark:

Installation specification:unit(mm)

Code	Installation specification:unit(mm)		Technical parameter	
	Maximum height(mm)	Maximum width(mm)	Maximum weight(kg)	Opening angle
ZJLA15-12*	1500	500	30	90°
ZJLA15-14*	1600	600	33	90°
ZJLA15-16*	1700	700	38	90°



Characteristic Introduction:

1. Open smoothly without any jam
2. No sharp corner to prevent scratches;
3. Improvement of round edge processing makes the appearance delicate and exquisite.



Product name:Hinge

Code: ZJLA20

Applicable system: Side-hung Screen window

Remark:

Installation specification: unit(mm)

Code	Installation specification: unit(mm)		Technical parameter	
	Maximum height(mm)	Maximum width(mm)	Maximum weight(kg)	Opening angle
ZJLA20-14*	1200	500	15	85°



Characteristic Introduction:

1. Avoid milling profile groove;
2. Beautiful appearance;

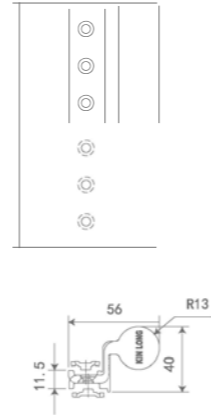


Door Hinge Series



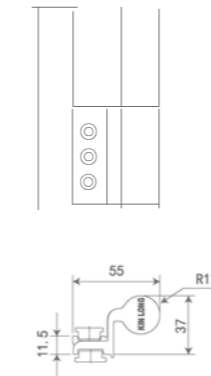
Product name: Door hinge(Left&right)
 Code: ZMHY171
 Surface finish: Decorative baking varnish
 Applicable system: Side-hung door
 Remark: Maximum bearing capacity is 150kg Gap between frame and sash needs 4-5mm

Optional color: Elegant gold Fashion silver Brilliant gold
 Antique brass Light ink black Pearl white



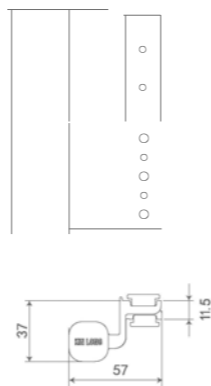
Product name: Door hinge(Left&right)
 Code: ZMHY173
 Surface finish: Decorative baking varnish
 Applicable system: Side-hung door
 Remark: Maximum bearing capacity is 130kg Gap between frame and sash needs 4-5mm

Optional color: Elegant gold Fashion silver Brilliant gold
 Antique brass Light ink black Pearl white



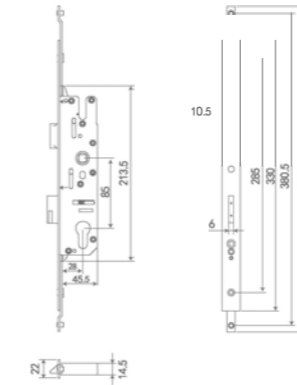
Product name: Door hinge(Left&right)
 Code: ZMHY175
 Surface finish: Anodic oxidation
 Applicable system: Side-hung door
 Remark: Maximum bearing capacity is 130kg Gap between frame and sash needs 4-5mm

Optional color: Elegant gold Fashion silver Brilliant gold Antique brass

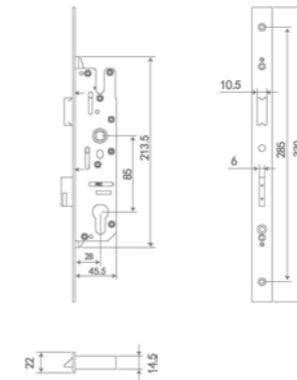


Door Hinge Series

Product name: Door lock
 Code: ZMSB2810/I
 Surface finish: Hairline
 Applicable system: Side-hung door
 Remark: center distance is 28mm

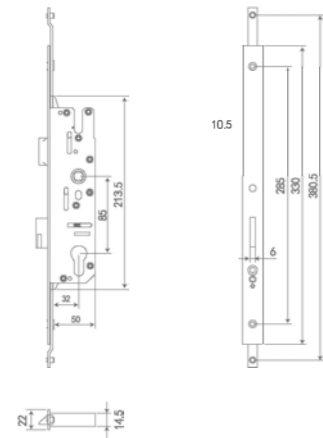


Product name: Door lock
 Code: ZMSB2810/II
 Surface finish: Hairline
 Applicable system: Side-hung door
 Remark: center distance is 28mm

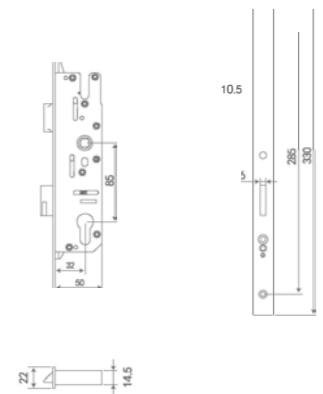


Door lock Series

Product name: Door lock
 Code: ZMSB3210/I
 Surface finish: Hairline
 Applicable system: Side-hung door
 Remark: center distance is 32mm

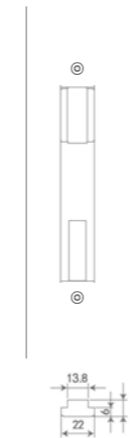


Product name: Door lock
 Code: ZMSB3210/II
 Surface finish: Hairline
 Applicable system: Side-hung door
 Remark: center distance is 32mm



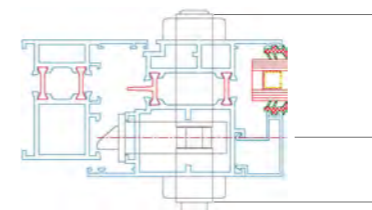
Door lock Series

Product name: Cover plate
 Code: ZKMB11
 Surface finish: Electroplating
 Applicable system: Side-hung door
 Remark: Used together with door lock



Product name: Cylinder
 Code: KILAB/T Cylinder with double key (KILAB)
 Surface finish: Electroplating
 Applicable system: Sliding door and Side-hung door
 Remark: Used together with door lock and hook lock

A (62)	B (62)
A (57)	B (57)
A (52)	B (52)
A (47)	B (47)
A (42)	B (42)
A (37)	B (37)
A (32)	B (32)
A (28)	B (28)



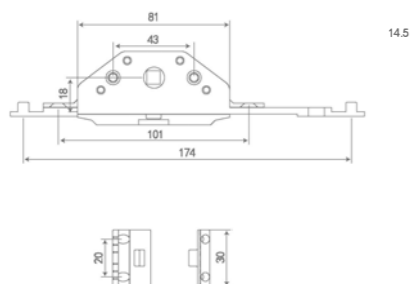
Indoor

Instruction

Note:
 According to the left drawing to confirm the length of A,B when select cylinder
 A is the length between the key and cylinder center
 B is the length between the knob and cylinder center

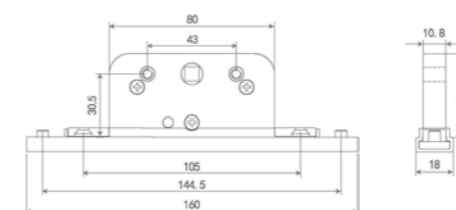
Transmitter Series

Product name: Anti-misoperation transmitter
 Code: ZCDQ120
 Surface finish: Electroplating
 Applicable system: Tilt and Turn window
 Remark: center distance is 18mm

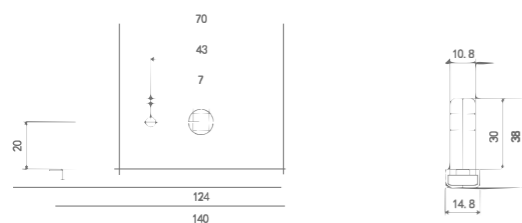


Transmitter Series

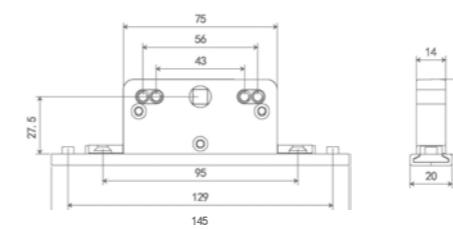
Product name: Transmitter
 Code: ZCDQ211
 Surface finish: Electroplating
 Applicable system: Side-hung & Sliding Series
 Remark: center distance is 30.5mm



Product name: Transmitter
 Code: ZCDQ210A
 Surface finish: Electroplating
 Applicable system: Side-hung & Sliding Series
 Remark: center distance is 20mm



Product name: Transmitter
 Code: ZCDQ212
 Surface finish: Electroplating
 Applicable system: Side-hung & Sliding Series
 Remark: center distance is 27.5mm



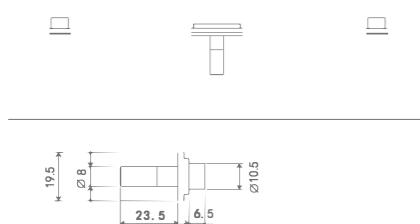
Transmission Rod Series

Product name: Transmission rod

Code: ZCDG110-L

Applicable system: Side-hung Series

Remark: L is 500-1700mm
the length of pin can be customized(Standard height 23.5mm)

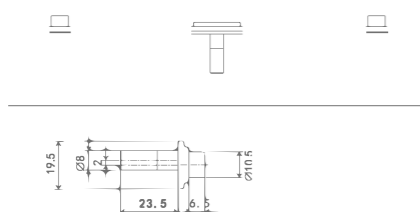


Product name: Transmission rod

Code: ZCDG110/I-L

Applicable system: Side-hung Series

Remark: L is 500-1700mm Pin eccentricity is 2mm
the length of pin can be customized(Standard height 23.5mm)

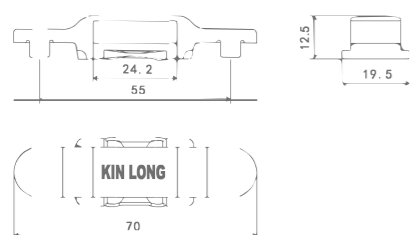


Product name: Main transmission rod

Code: ZCDG612A

Surface finish: Electroplating

Applicable system: Open-in Side-hung Series



Transmission rod Series

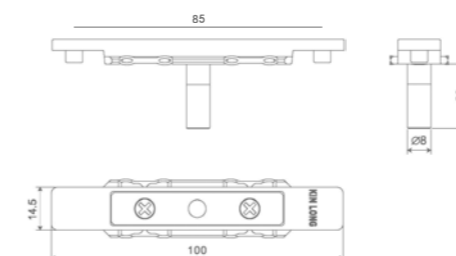
Product name: Main transmission rod

Code: ZCDG614

Surface finish: Electroplating

Applicable system: Open-in Side-hung Series

Remark: exposed length of pin is 22mm



Patent

Product name: Transmission rod

Code: ZCDG715、ZCDG715/I

Surface finish: Electroplating

Applicable system: Side-hung Series

Remark: Locking point height of ZCDG715 is 6.5mm
while Locking point height of ZCDG715/I is 7.5mm



Product name: Transmission rod

Code: ZCDG715/II

Surface finish: Electroplating

Applicable system: Side-hung Series

Remark: Used together with locking plate ZSKA18



Transmission Rod Series

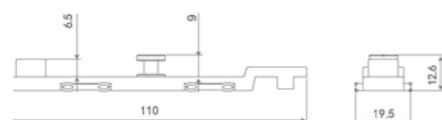
Product name: Transmission rod

Code: ZCDG713

Surface finish: Electroplating

Applicable system: Side-hung Series

Remark: Used together with locking plate ZSKA13-L/R



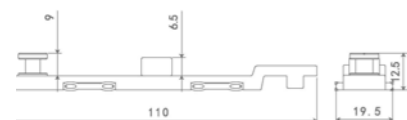
Product name: Transmission rod

Code: ZCDG713/X

Surface finish: Electroplating

Applicable system: Side-hung Series

Remark: Mainly used for one-way transmission please refer to P24



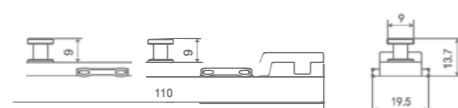
Product name: Transmission rod

Code: ZCDG713/I

Surface finish: Electroplating

Applicable system: Side-hung door Series

Remark: Used together with locking plate ZSKA15-L/R



Lock plate Series

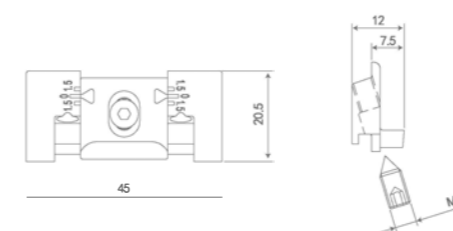
Product name: Locking plate

Code: ZSKA11A

Surface finish: Electroplating

Applicable system: Side-hung door Series

Remark: Adjustment ± 1.5 mm



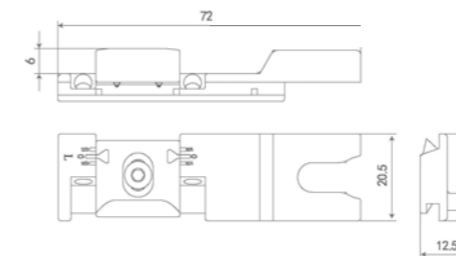
Product name: Locking plate

Code: ZSKA13-L/R

Surface finish: Electroplating

Applicable system: Side-hung Series

Remark: Adjustment ± 1.5 mm



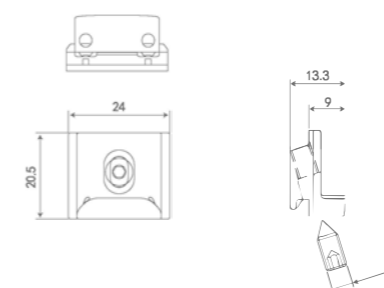
Product name: Locking plate

Code: ZSKA14

Surface finish: Electroplating

Applicable system: Side-hung Series

Remark: Adjustment ± 1.5 mm



Locking plate Series

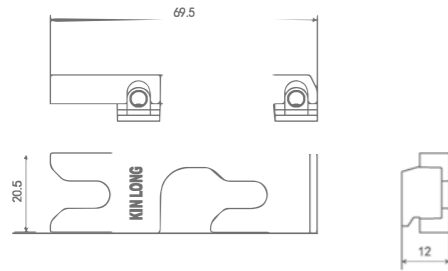
Product name: Locking plate

Code: ZSKA15-L/R

Surface finish: Electroplating

Surface finish: Electroplating

Remark: Transmission rod should work with lock plate ZCDG713/I



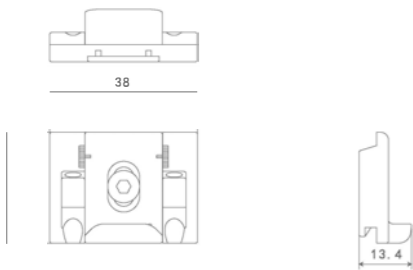
Product name: Locking plate

Code: ZSKA16

Surface finish: Electroplating

Applicable system: Side-hung Series(23/27 groove)

Remark: Adjustment ± 2.4 mm



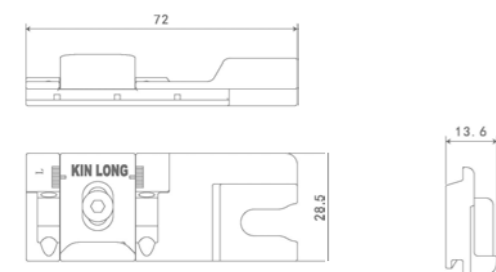
Product name: Locking plate

Code: ZSKA17-L/R

Surface finish: Electroplating

Applicable system: Side-hung Series(23/27 groove)

Remark: Adjustment ± 2.4 mm



Locking Plate/Locking Hook Series

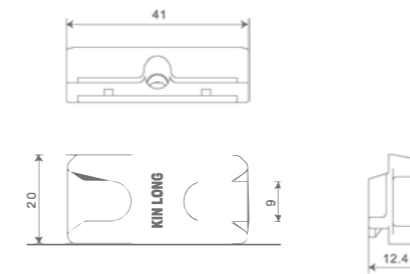
Product name: Locking plate

Code: ZSKA18

Surface finish: Electroplating

Applicable system: Side-hung Series

Remark: Used together with transmission rod ZCDG715/II



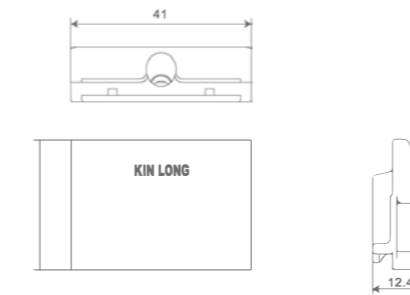
Product name: Locking plate

Code: ZSKA18/K

Surface finish: Electroplating

Applicable system: Side-hung Series(23/27Groove)

Remark: Used together with transmission rod ZCDG715/II

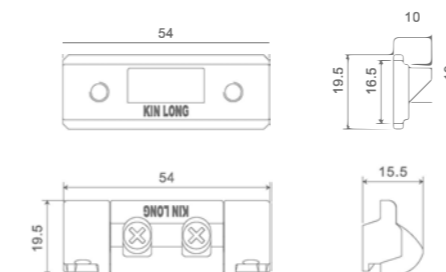


Product name: Middle locking plate

Code: ZZSK11

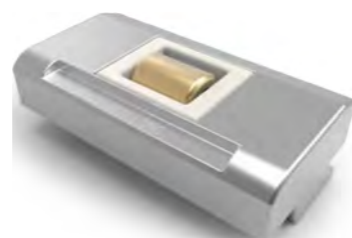
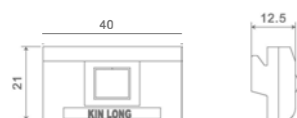
Surface finish: Electroplating

Applicable system: Side-hung window Series

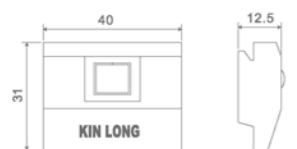


Other Series

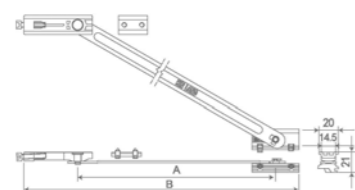
Product name: Supporting block
 Code: ZZCK13
 Surface finish: Electroplating
 Applicable system: Side-hung Series



Product name: Supporting block
 Code: ZZCK13/K
 Surface finish: Electroplating
 Applicable system: Side-hung Series(23/27Groove)



Product name: Limiter
 Code: ZXWQ10A
 Applicable system: Tilt and Turn window & side-hung series



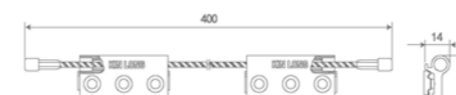
Remark:

Code	A	B	Suitable width of window sash	Opening angle
ZXWQ10A-10°	234	313	400	Custom settings
ZXWQ10A-12°	285	364	500	
ZXWQ10A-14°	335	414	600	
ZXWQ10A-16°	386	565	700	

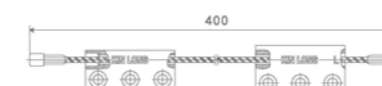


Other Series

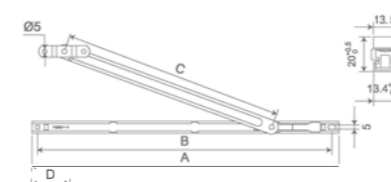
Product name: Disengagement preventer
 Code: ZFTQ10
 Surface finish: Silver oxidation
 Applicable system: Open-out side-hung series



Product name: Disengagement preventer
 Code: ZFTQ11-L/R
 Surface finish: Silver oxidation
 Applicable system: Side-hung series(23/27 Groove)



Product name: Pegstay
 Code: ZFCA10
 Applicable system: Side-hung series



Remark:

Code	A	B	C	D
ZFCA10-12°	304	289	210	45
ZFCA10-14°	355	340	255	45



Side-hung-Bathroom Door Series



The color of the picture is subject to physical object

Bathroom door Series

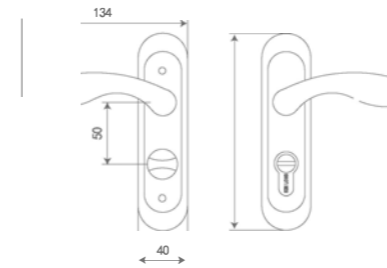
Product name: Door handle

Code: ZMZS5820

Surface finish: Electroplating Nickel /
Electroplating antique copper

Applicable system: Bathroom door

Remark: applicable to 30-45mm thickness profile



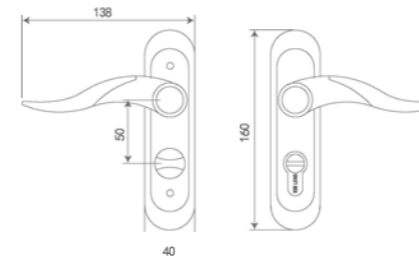
Product name: Door handle

Code: ZMZS5821

Surface finish: Electroplating Nickel /
Electroplating antique copper

Applicable system: Bathroom door

Remark: Applicable to 30-45mm thickness profile



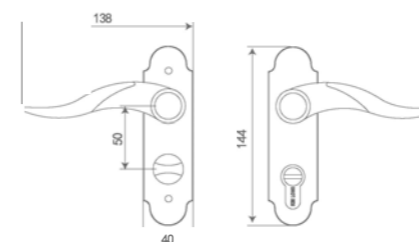
Product name: Door handle

Code: ZMZS5822

Surface finish: Electroplating Nickel /
Electroplating antique copper

Applicable system: Bathroom door

Remark: Applicable to 30-45mm thickness profile



Bathroom Door Series

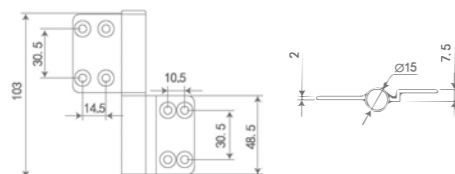
Product name: Door hinge

Code: ZMHY466-L/R

Surface finish: Sand -grain black/ Silver oxidation

Applicable system: Bathroom door

Remark: Maximum bearing capacity is 40kg

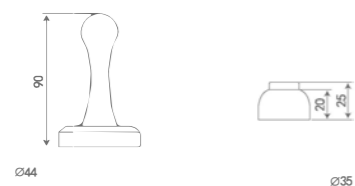


Product name: Magnetic -head door stopper

Code: ZMXA10

Surface finish: Hairline

Applicable: Bathroom door

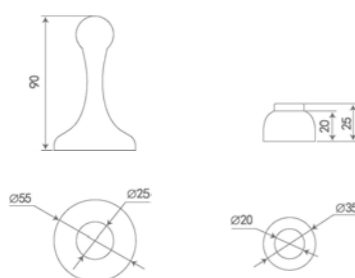


Product name: Magnetic -head door stopper

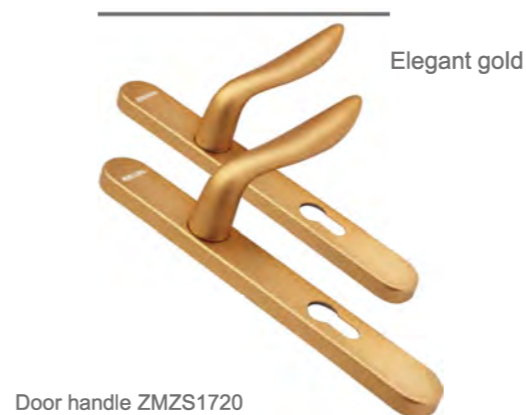
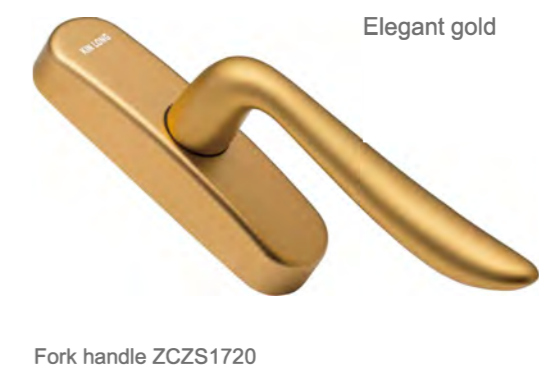
Code: ZMXA11

Surface finish: Hairline

Applicable system: Bathroom door

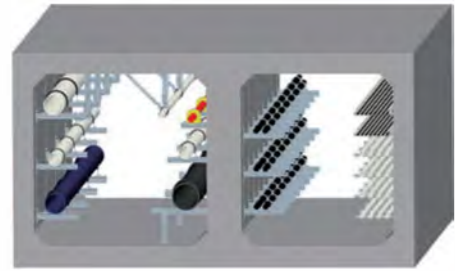


Recommended Handle Series



PRODUCT WORLD

PIPE GALLERY, PIPELINE, RAIL TRANSPORTATION PRODUCT



CABLE PRODUCT SERIES FOR STRUCTURAL ENGINEERING



INTERIOR DECORATION FITTING

DOOR CONTROL HARDWARE SERIES



LOCK HARDWARE SERIES



BATHROOM HARDWARE SERIES



S.S. RAILING SYSTEM



IMPORT ARCHITECTURAL MATERIALS SERIES

AUSTRIA U GROOVE HARDWARE SERIES



ITALIAN FAPIM ALUMINUM DOORS & WINDOWS HARDWARE



SWISS GILGEN AUTOMATIC DOOR



CURTAIN WALL SYSTEM

POINT-FIXED GLASS WALL FITTINGS SERIES



CAST-IN CHANNEL ACCESSORY



ANCHORING PRODUCTS SERIES



FASTENING PRODUCTS SERIES



GTI AUTOMATIC WINDOW OPERATING SYSTEM



DOOR & WINDOW HARDWARE SYSTEM

ALUMINUM DOOR & WINDOW HARDWARE



NEWANTON SEALED INSULATION SYSTEM



U-PVC GROOVE DOOR & WINDOW ACCESSORY



HOME DECORATION DOOR & WINDOW HARDWARE



CHUNGUANG SPACER SERIES



ARCHITECTURAL ACCESSORY PRODUCTS SERIES

ZRENITE SAFETY PROTECTION PRODUCTS SERIES



ZRENITE CONSTRUCTION TAPE SERIES

ZRENITE CONSTRUCTION TAPE SERIES



ZRENITE INDUSTRY ASSISTIVE PRODUCTS SERIES



GIVEN TOOLS SUPPLIES SERIES



GIVEN PRECISION EQUIPMENT SERIES



PRECSIO ALUMINUM ALLOY LADDER SERIES



GIVEN OUTDOOR LIGHTING SERIES



FLEX POWER TOOLS SERIES



SMART HOME SERIES

HBS SMART LOCK



GEMVARY VIDEO INTERCOM SYSTEM



GIVEN INTELLIGENCE LAUNDRY RACK SERIES



GIVEN INTELLIGENCE LAUNDRY RACK SERIES

